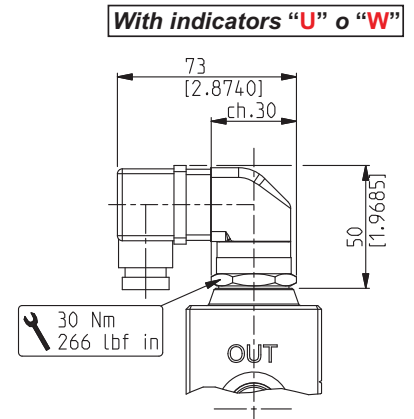
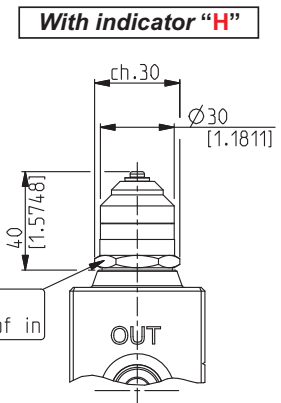
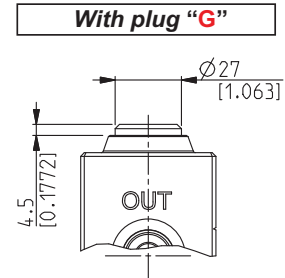
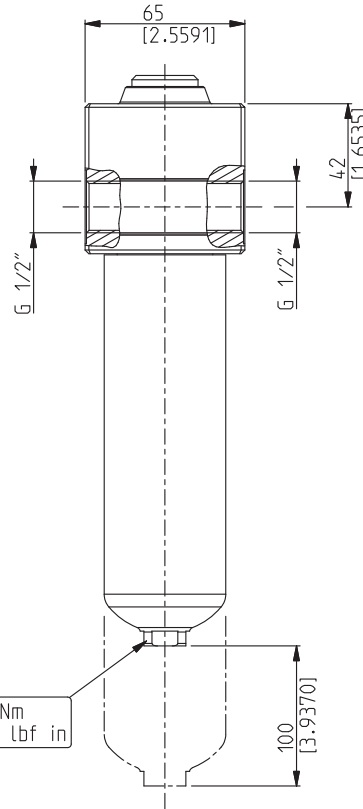
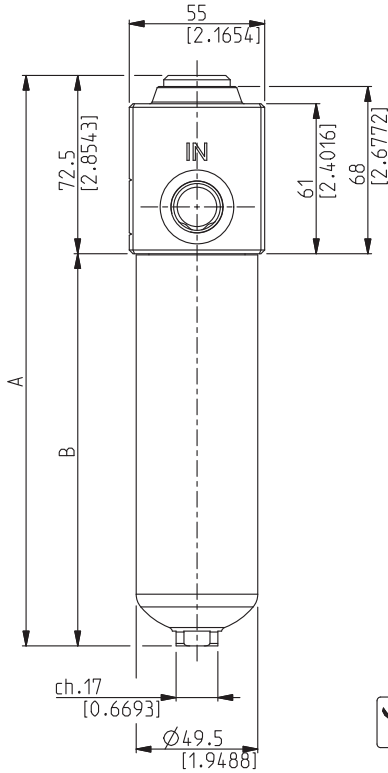
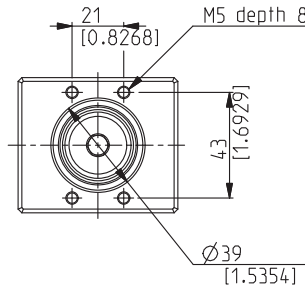
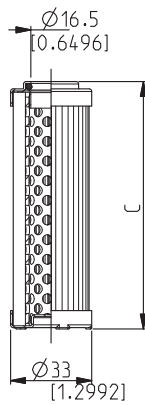


HF710-10 DIMENSIONS



Elements HE K85-10



ICAT_017_002_HF710

01/02.2011

Filter type	Weight	A		B	
	kg (lbs)	mm (in)		mm (in)	
HF 710-10.050	1,0 (2.20)	182 (7.1653)		109.5 (4.3110)	
HF 710-10.100	1,2 (2.65)	232 (9.1338)		159.5 (6.2795)	

Element type	C	Filtering surface	Dirt holding capacity (ISO MTD) Δp = 72.5 psi (5 bar)			
			FG003	FG006	FG010	FG025
	mm (in)	cm ² (in ²)	gr (lbs)	gr (lbs)	gr (lbs)	gr (lbs)
HE K85-10.050	50 (1.9685)	162 (25.1100)	0,9 (0.0020)	1,2 (0.0026)	1,3 (0.0029)	1,9 (0.0042)
HE K85-10.100	100 (3.9370)	342 (53.0101)	1,9 (0.0042)	2,5 (0.0055)	2,7 (0.0060)	4,0 (0.0088)