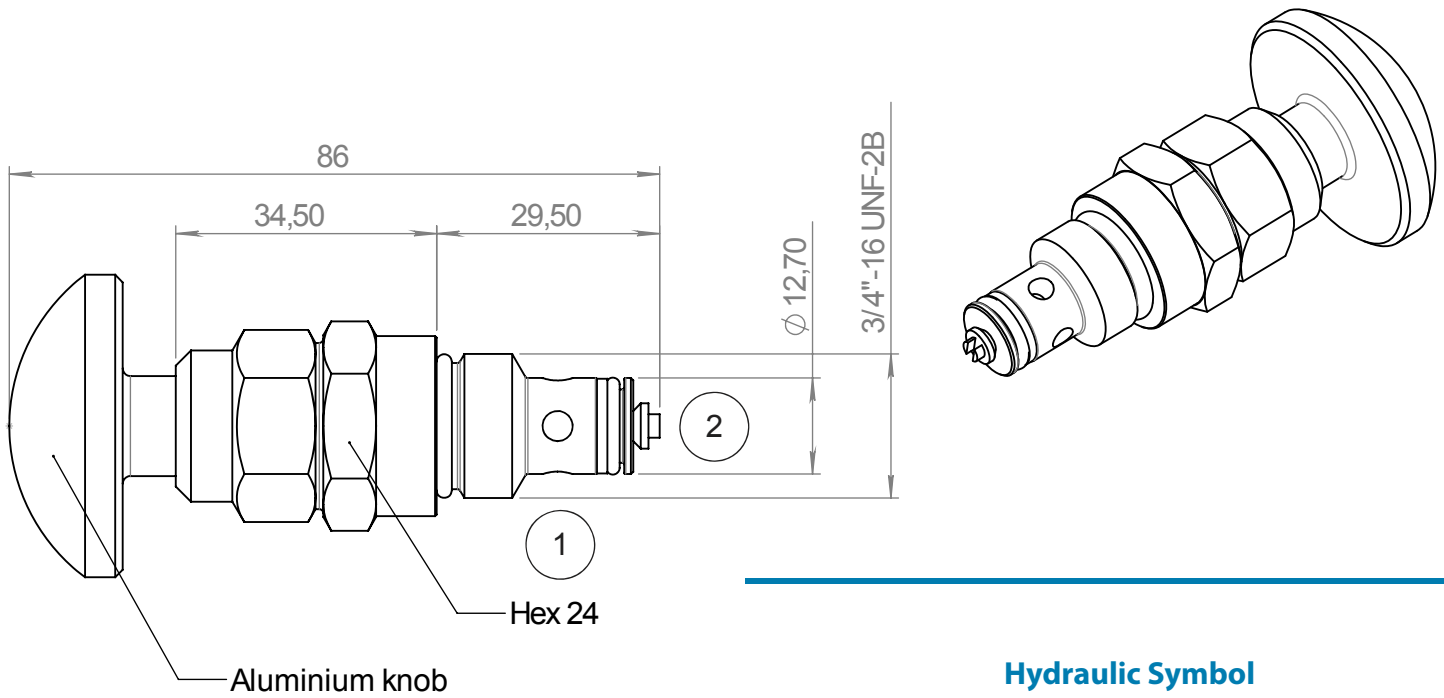
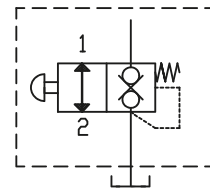


Dimensions

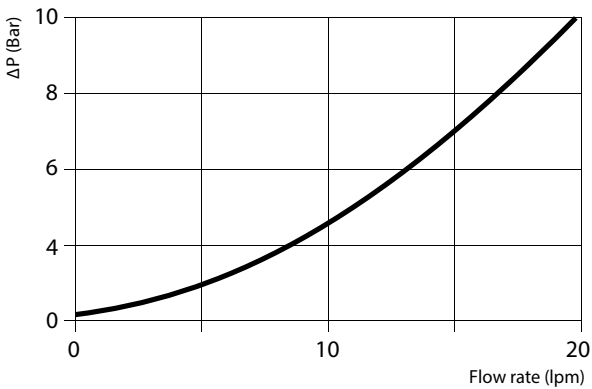


Notice: This is an emergency valve only, to work properly ② does not have to be pressurized

Hydraulic Symbol



Curves



Features

Max Pressure	350 bar
Max Flow	20 lpm
Installation torque	35-40 Nm

Materials: Zinc plated steel cartridge, hardened steel inner parts, aluminium knob, BUNA-N seals.

Ordering Code

MEV02