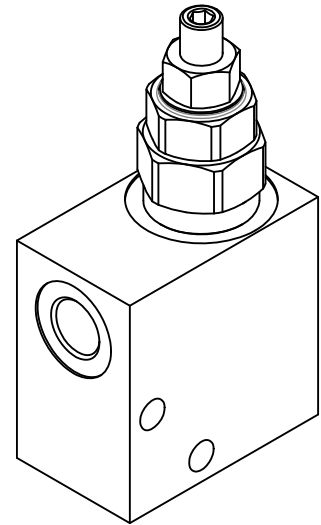
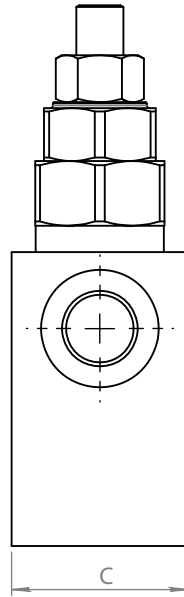
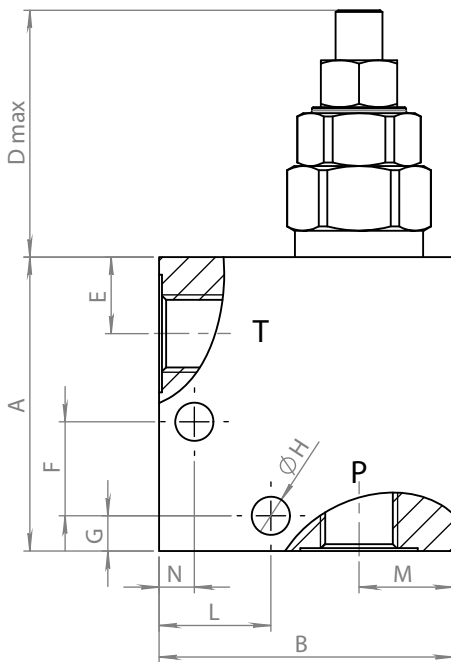
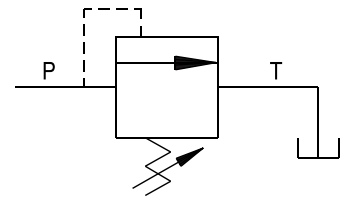


### Dimensions

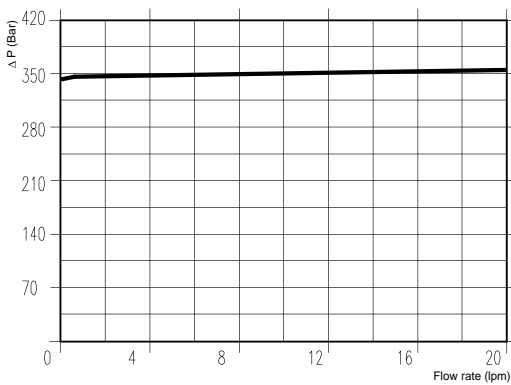


Size	A	B	C	D	E	F	G	H	L	M	N	P-T BSP	Weight kg
<b>01</b>	50	50	30	40	13	16	6	6,5	19	16	6	1/4	0,53
<b>02</b>	50	50	30	40	13	16	6	6,5	19	16	6	3/8	0,51

### Hydraulic Symbol



### Curves



### Features

<b>Rated Flow</b>	20 lpm
<b>Max Pressure</b>	350 bar

**Materials:** Zinc plated steel cartridge, hardened steel inner parts.  
Aluminium manifold.

### Ordering Code

**PRL 20**    --    --    -

Port Size BSP		Spring (bar)	
<b>01</b>	1/4	<b>10</b>	5-100
<b>02</b>	3/8	<b>30</b>	50-350

### Adjustments

<b>A</b>		Socket Screw
----------	--	--------------

**Ordering Code Example:** PRL200230A - 3/8 BSP - 50-350 bar setting range, Socket screw adjustment.