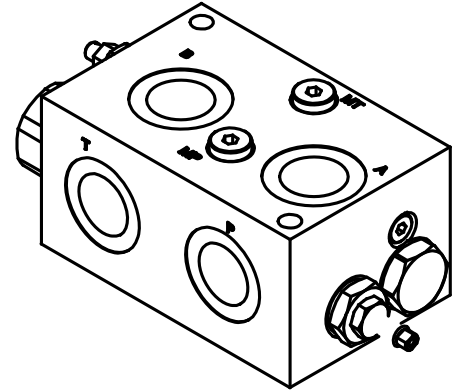
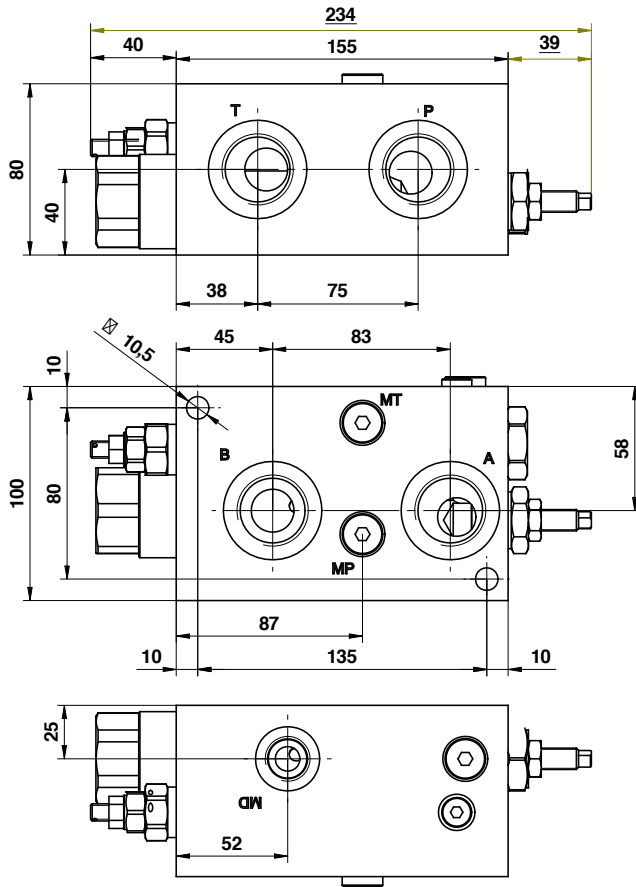
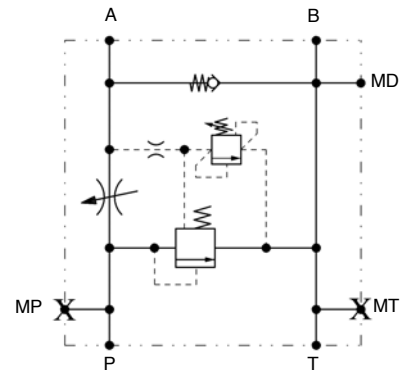


Dimensions



Hydraulic Symbol



Curves

Features

Max Flow	280 lpm
Max Pressure	350 bar
Port Sizes	A - B: G 1 P - T: G 1 MP - MT: G 1/4 MD: G 1/2

Materials: Aluminium manifold (std) - Zinc. plated steel (on request)

Ordering Code

PVETPAC05