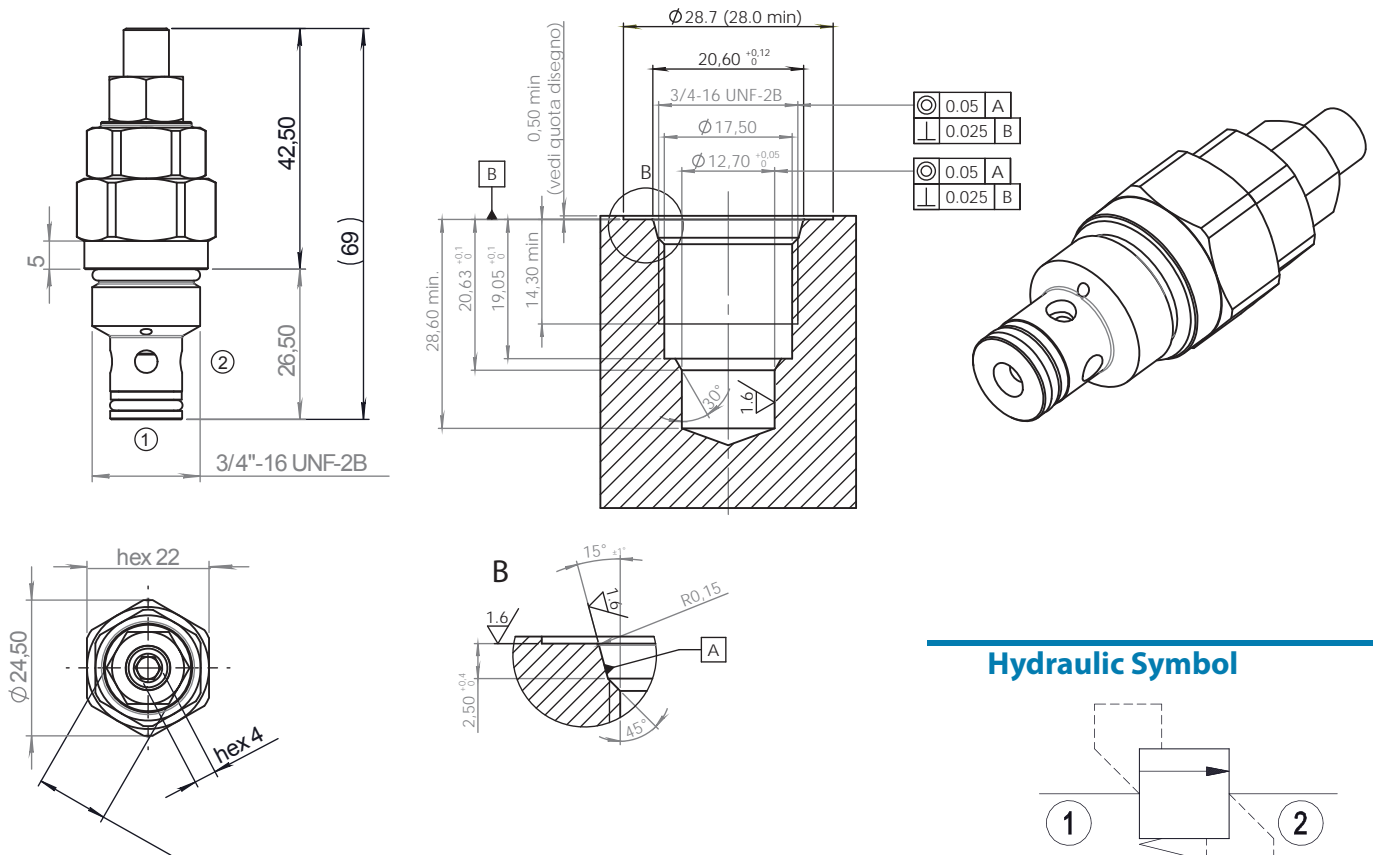
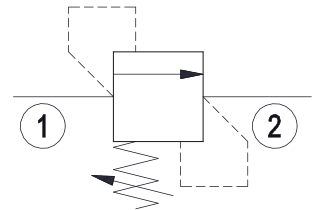


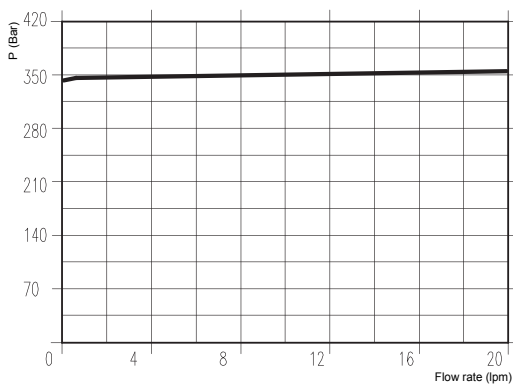
Dimensions



Hydraulic Symbol



Curves



Features

Max Flow	20 lpm
Max Pressure	350 bar
Installation Torque	45-50 Nm

Materials: Zinc plated steel cartridge, hardened steel inner parts.

Ordering Code

PRC 20

--

-

Spring (bar)

10	5-100
30	50-350

Adjustments

A		Socket Screw
C		Tamperproof Cap

Ordering Code Example: PRC2030A = 50-350 bar setting range, Socket screw adjustment.