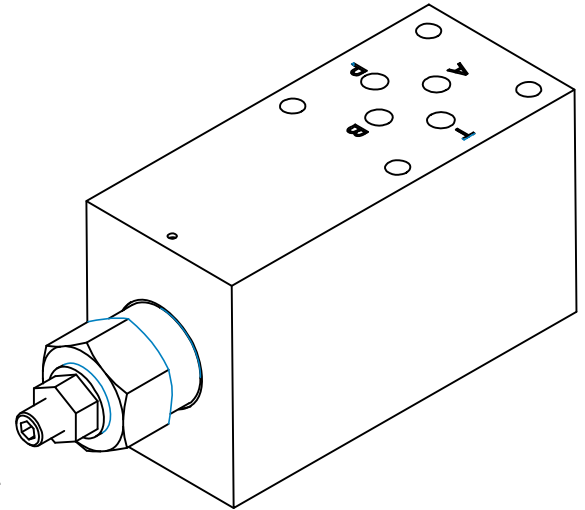
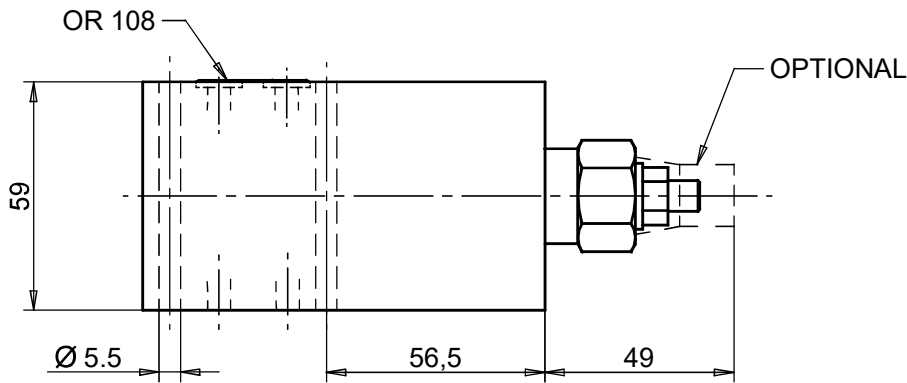
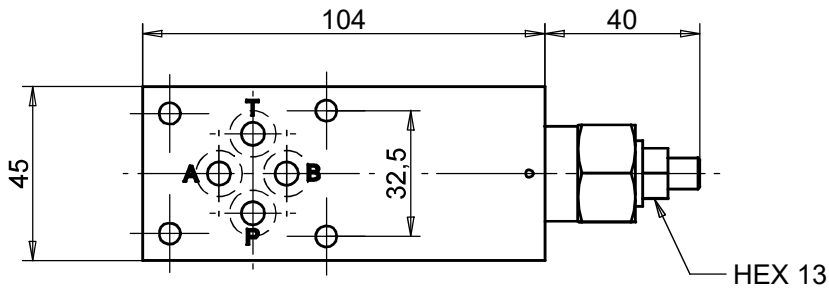
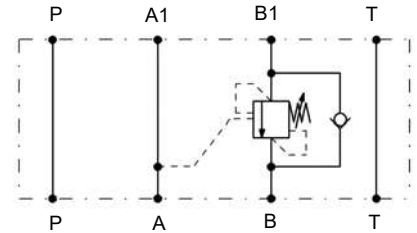


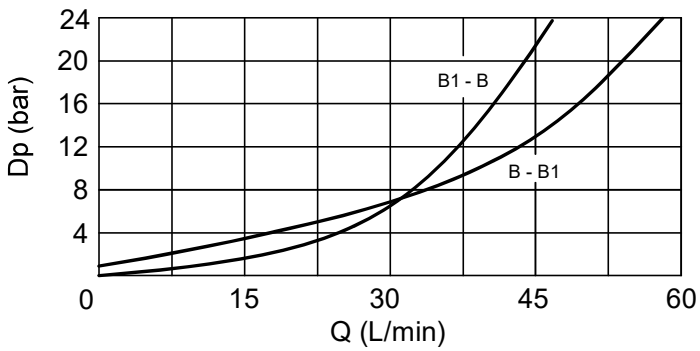
Dimensions



Hydraulic Symbol



Curves



Features

Max Flow	50 lpm
Max Pressure	350 bar
Pilot Ratio	4,2:1
Std. Pressure range	100 - 350 bar

Materials: Zinc plated steel cartridge, hardened steel inner parts. Aluminium manifold.

Ordering Code

CBSLBNG6

--

Spring (bar)

20	60-210
30	100-350

Ordering Code Example: CBSLBNG630 - 100-350 bar setting range.