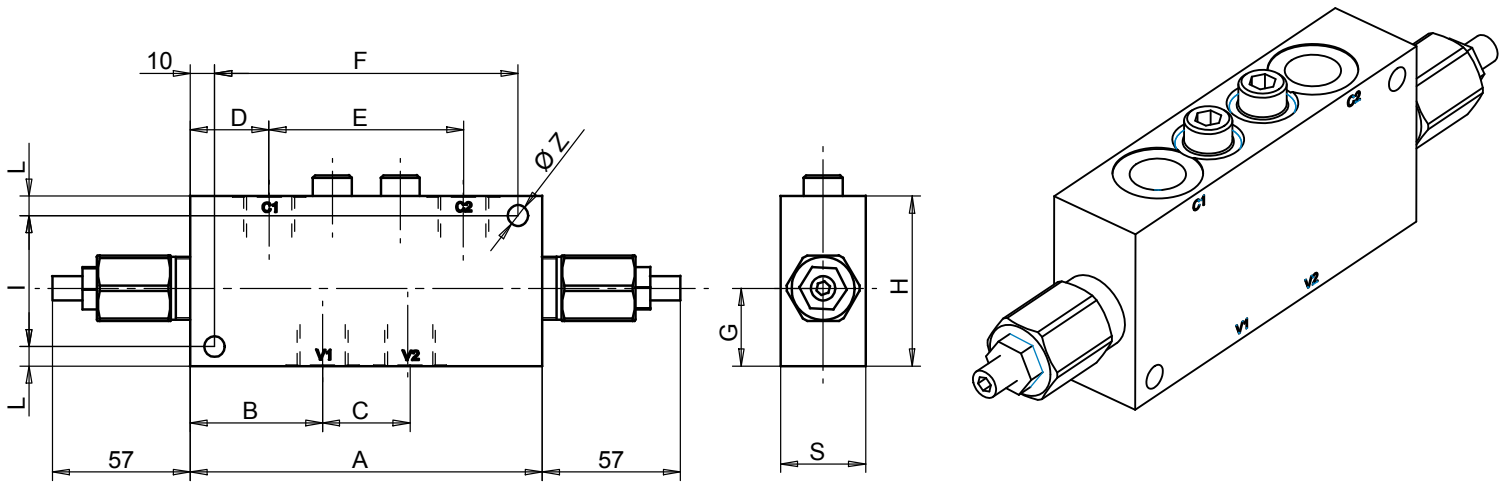
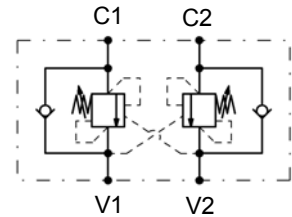


Dimensions

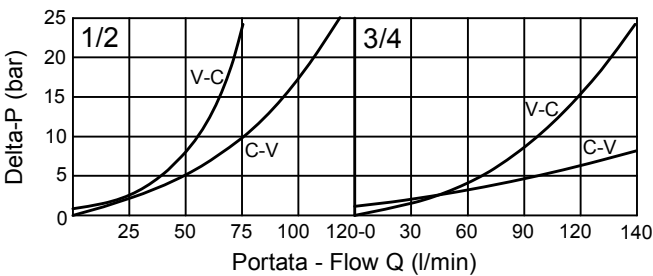


Size	A	B	C	D	E	F	G	H	I	L	S	Z	V1-V2 C1-C2
03	145	54,5	36	32,5	80	125	32	70	54	8	35	8,5	G 1/2
04	175	62,5	50	34	107	155	38	90	70	10	40	10,5	G 3/4

Hydraulic Symbol



Curves



Features

Max Pressure	350 bar
Pilot Ratio	8,2:1 Standard 3,2:1 On request
Std. Pressure range	100 - 350 bar

Materials: Zinc plated steel cartridge, hardened steel inner parts.
Aluminium manifold.

Ordering Code

CBSCDL - - -

	Port Size BSP
03	1/2
04	3/4

	Pilot Ratio
3	3,2 : 1
8	8,2 : 1

Ordering Code Example: CBSCDL048 - 3/4" BSP Ports - 100-350 bar setting range - 8,2 : 1 Pilotratio.