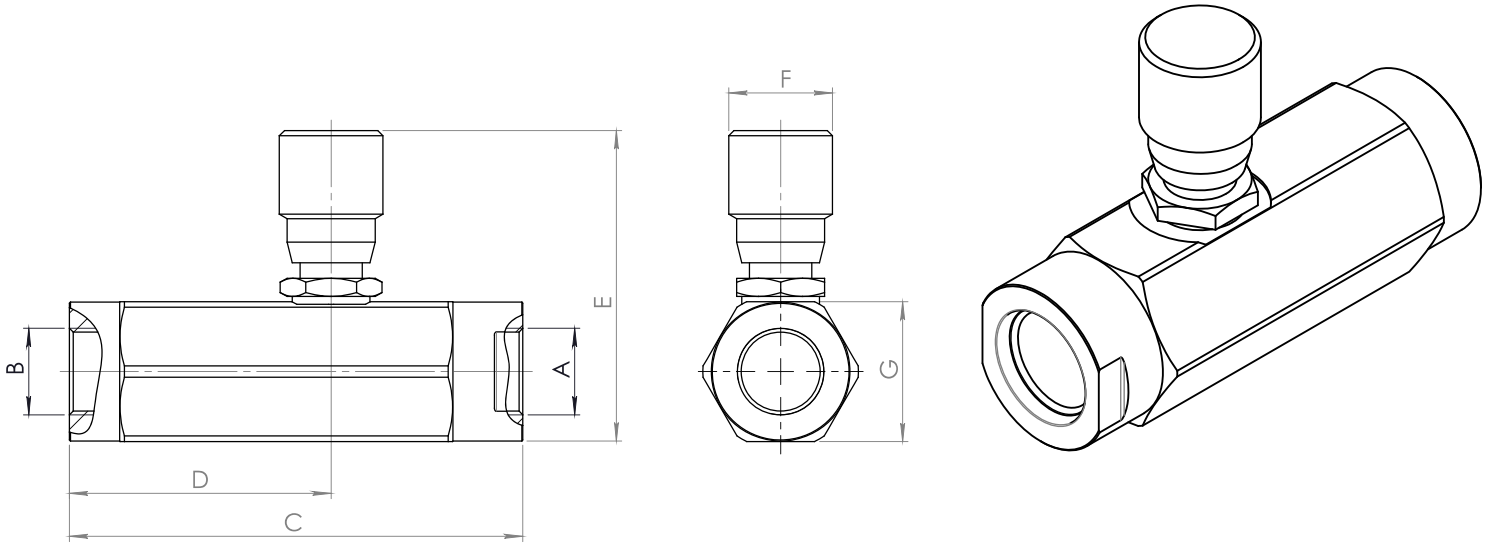
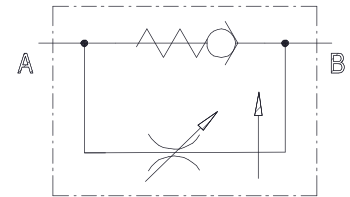


### Dimensions

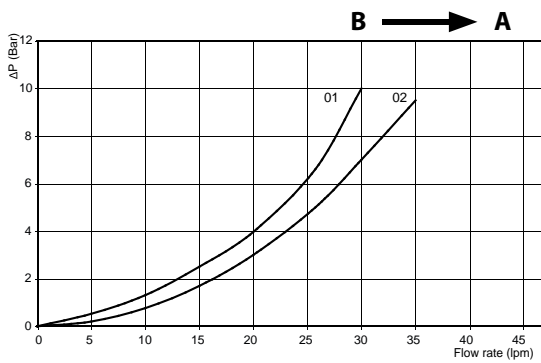


Size	A - B BSP	C	D	E max	F	G	Weight kgs
<b>01</b>	1/4	86	35	70	20	27	0,50
<b>02</b>	3/8	86	35	70	20	27	0,48

### Hydraulic Symbol



### Curves



### Features

Size	01	02
Max Pressure (bar)	250	250
Max Flow A → B (lpm)	17	17
Max Flow B → A (lpm)	25	27

**Materials:** Zinc plated steel body, alloy handknob.

### Ordering Code

<b>FRC90</b>	<b>--</b>
	<b>Size BSP</b>
<b>01</b>	1/4
<b>02</b>	3/8

**Ordering Code Example:** FRC9003 = 1/2 BSP.