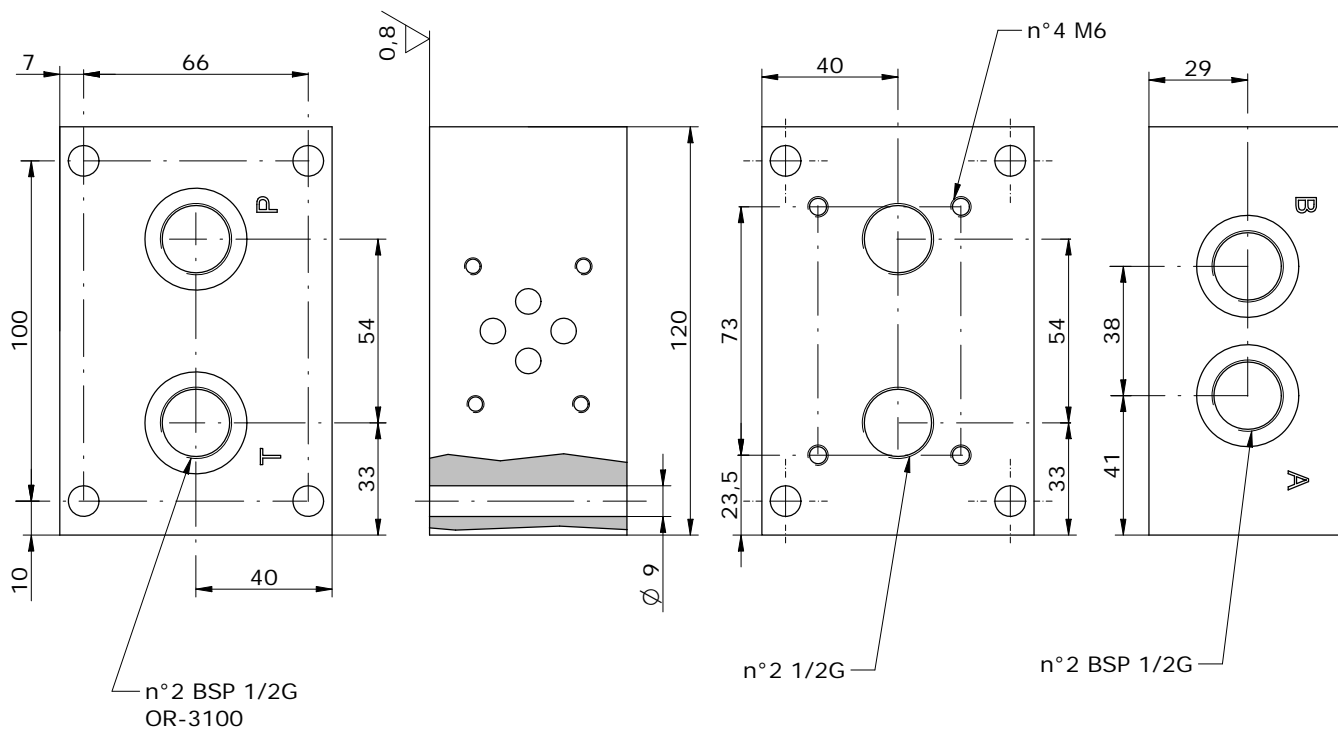
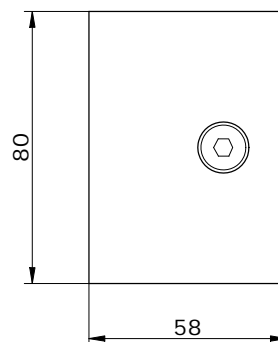
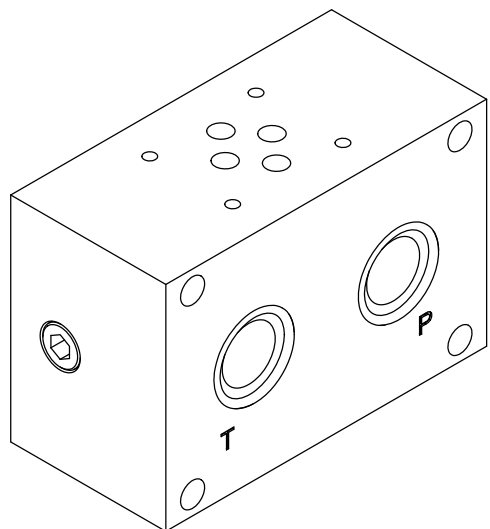
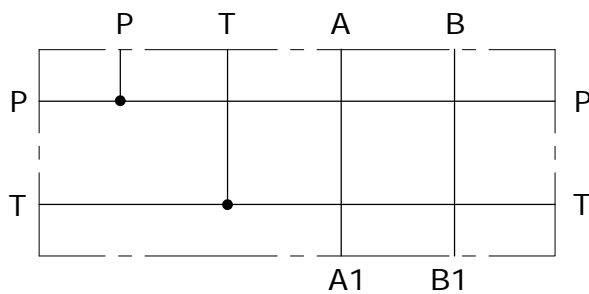


Schema idraulico  
 Hydraulic diagram



# ES 610 - 27 - 12

S = STEEL  
 A = ALUMINUM