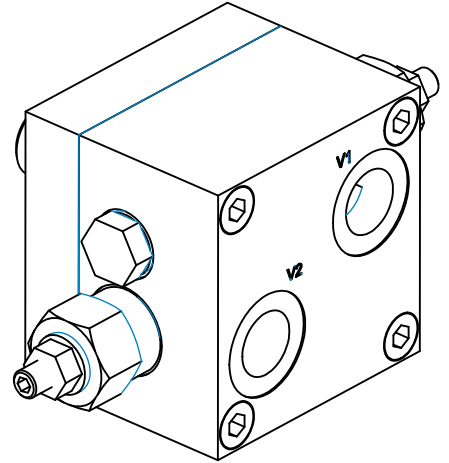
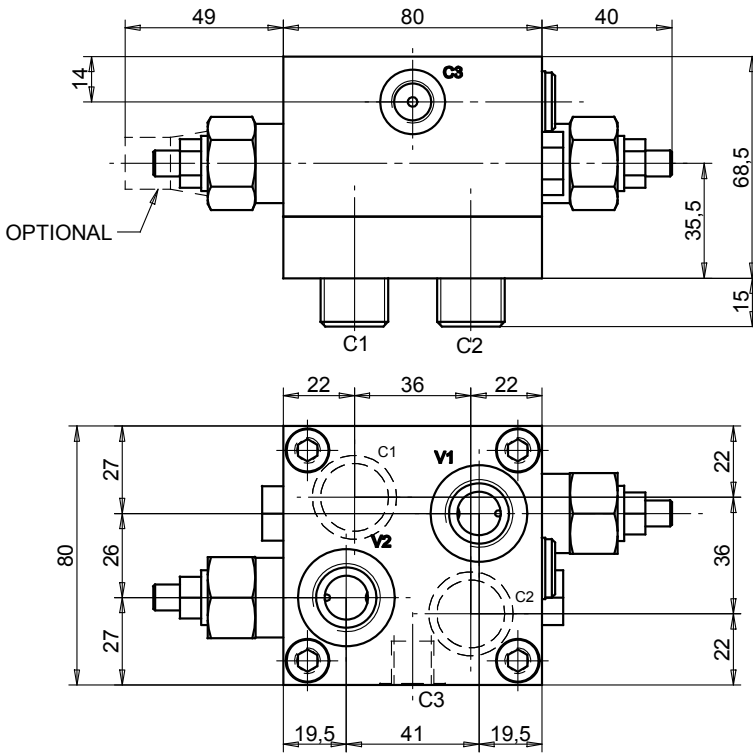
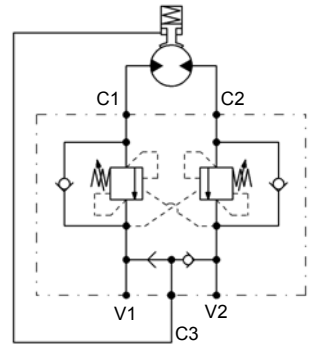


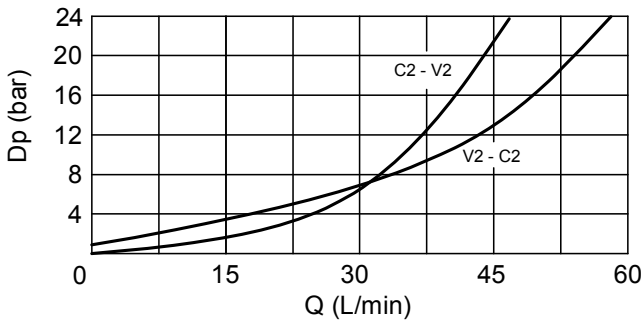
**Dimensions**



**Hydraulic Symbol**



**Curves**



**Materials:** Zinc plated steel cartridge, hardened steel inner parts.  
Aluminium manifold.

**Features**

<b>Max Flow</b>	60 lpm
<b>Max Pressure</b>	250 bar
<b>Pilot Ratio</b>	4,2:1 Standard
<b>Ports</b>	V1-V2: G 1/2 C1-C2: G 1/2 C3: G 1/4
<b>Std. Pressure range</b>	100 - 350 bar

**Ordering Code**

**CBDLSFOMP 03**