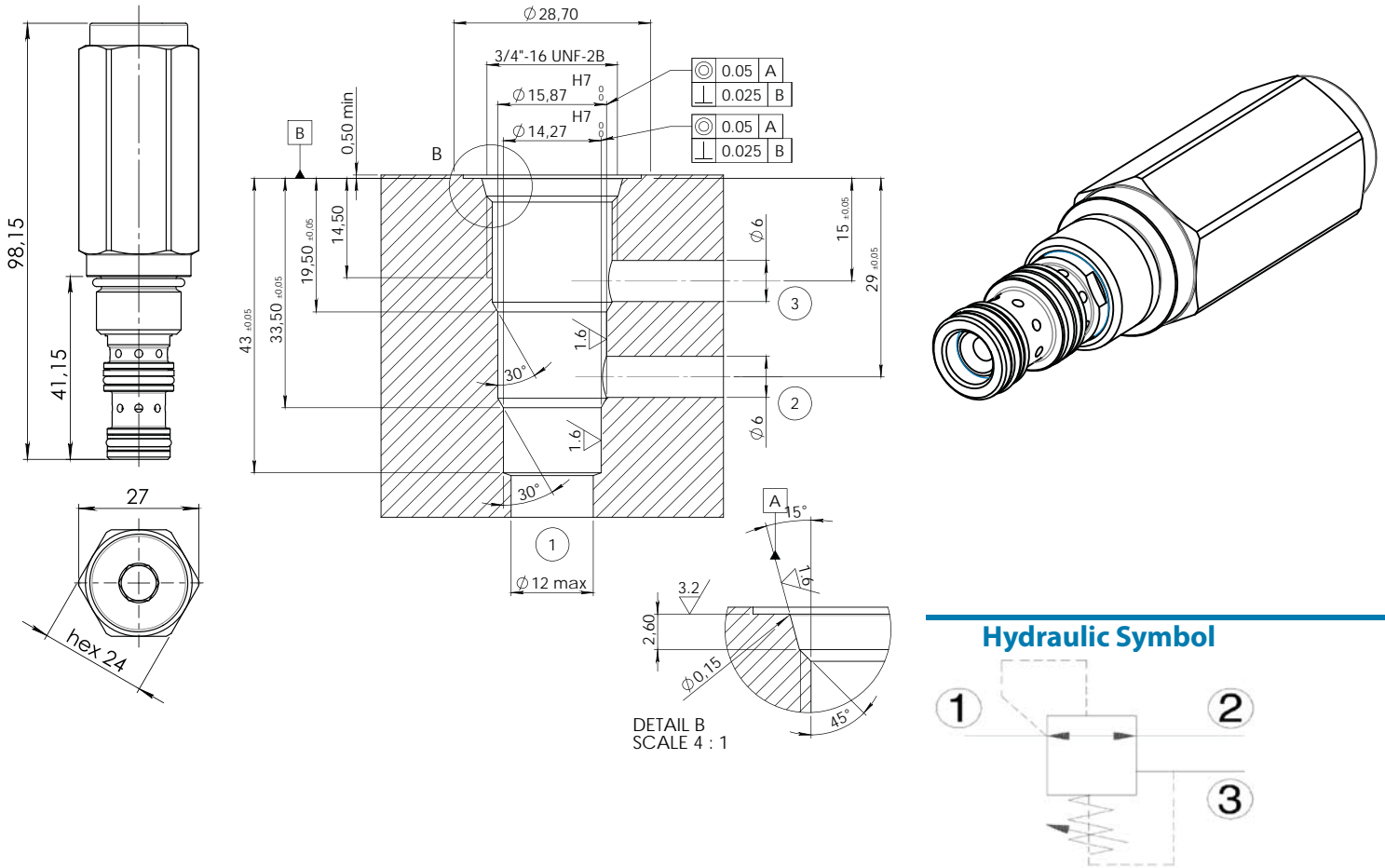
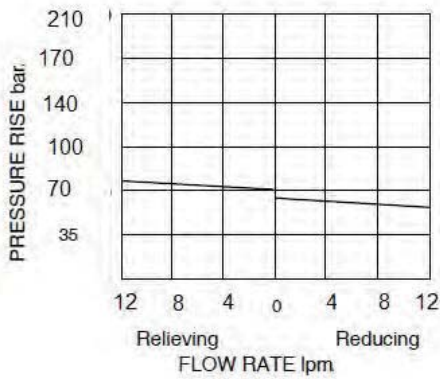


Dimensions



Curves



Features

Max Pressure	350 bar
Max Flow	12 lpm

**Materials:** Zinc plated steel cartridge, hardened steel inner parts.

Ordering Code

VPRDC02 --

Port Size BSP	
10	10-100

Ordering Code Example: VPRDC0210 = 10-100 bar setting range.