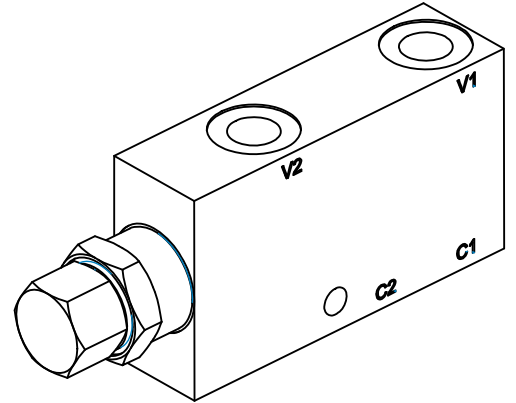
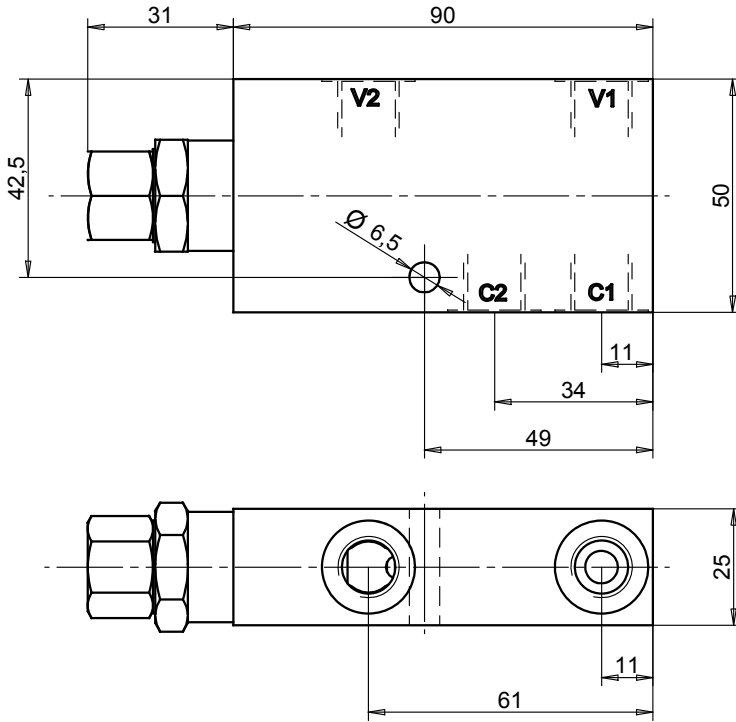
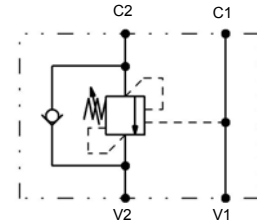


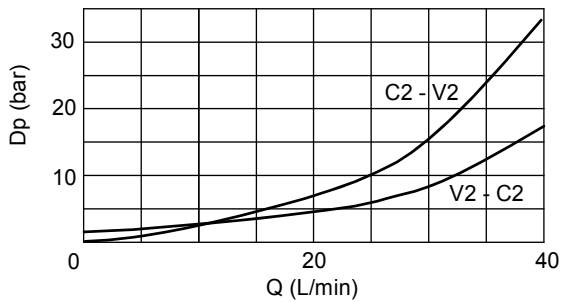
Dimensions



Hydraulic Symbol



Curves



Features

Max Flow	40 lpm
Max Pressure	220 bar
Pilot Ratio	4:1
Std. Pressure range	100 - 350 bar
Ports	V1-V2: G 1/4 C1-C2: G 1/4

Materials: Zinc plated steel cartridge, hardened steel inner parts. Aluminium manifold.

Ordering Code

CB40SL 01