

1.3 Housing UP100K3 (Manifolds prearrangement or threaded P-T connections)

1.3.1 Main specification

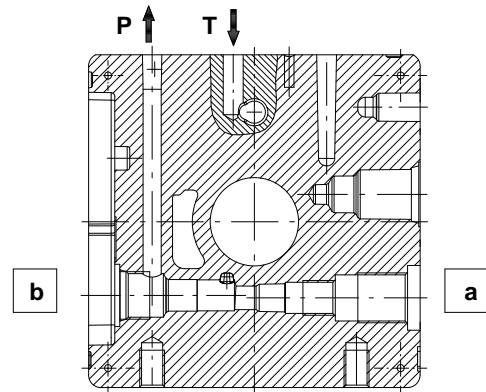
UP100/K3P0-01

Cavity **a** = M20X1.5 (relief valve cavity)

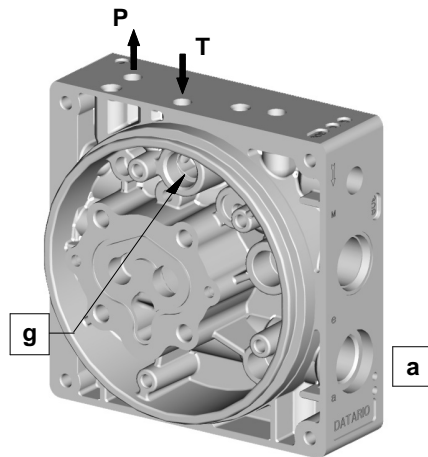
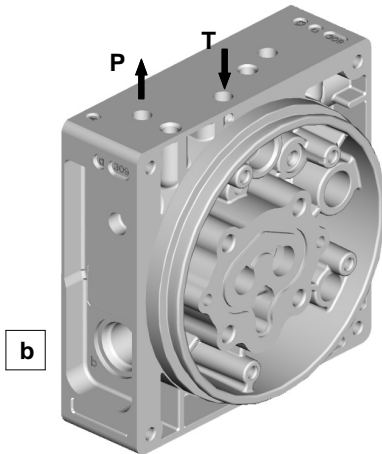
Cavity **b** = 3/4"-16 UNF (check valve cavity)

- **P** = Pressure line for manifolds*
- **T** = Return line T for manifolds*

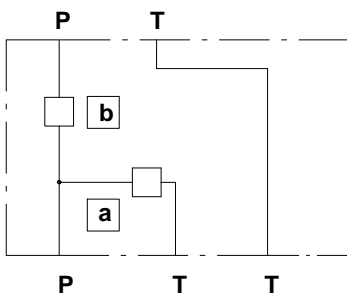
* for manifold see section 8



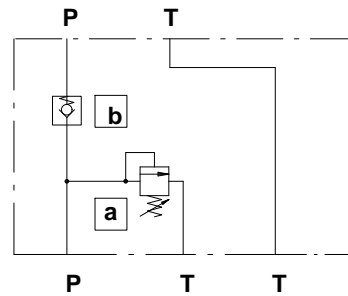
Cavities identification



Basic circuit



Example of standard circuit

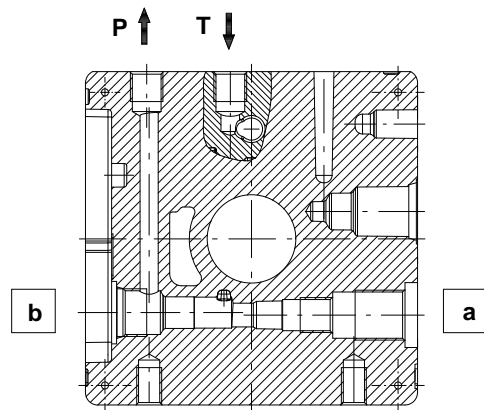


UP100K3**-**

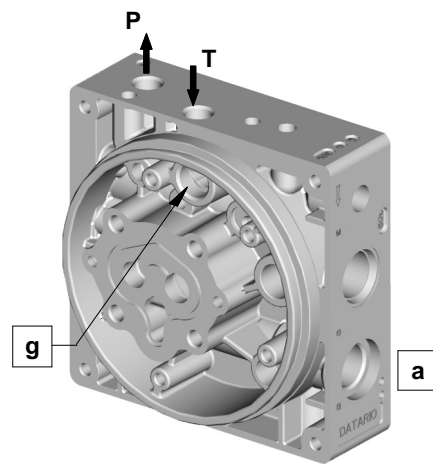
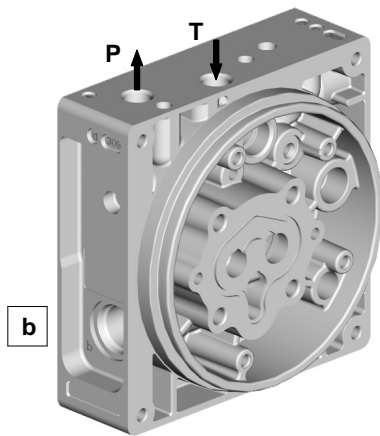
Cavity **a** = M20X1.5 (relief valve cavity)

Cavity **b** = 3/4"-16 UNF (check valve cavity)

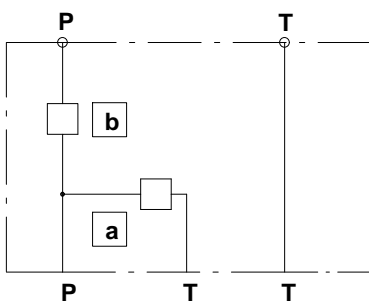
- **P** = Threaded pressure port
- **T** = Threaded return port



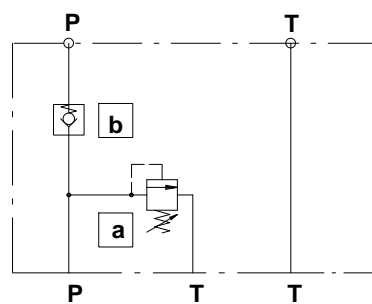
Cavities identification



Basic circuit



Example of standard circuit



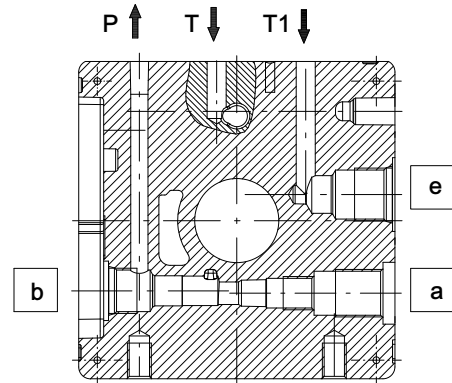
UP100K3P0-02

Cavity **a** = M20X1.5 (relief valve cavity)

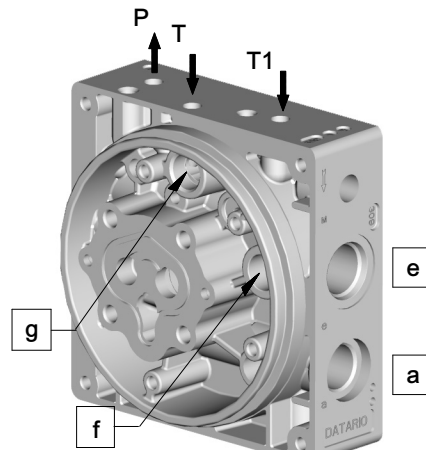
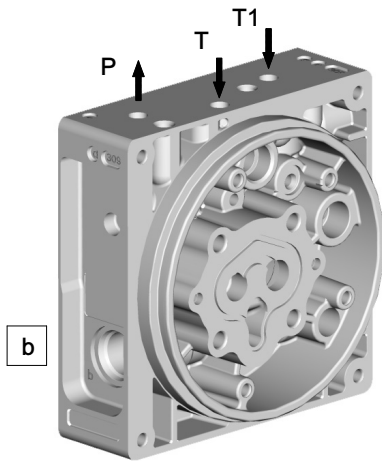
Cavity **b** = 3/4"-16 UNF (check valve cavity)

Cavity **e** = 7/8"-14 UNF (flow regulator cavity)

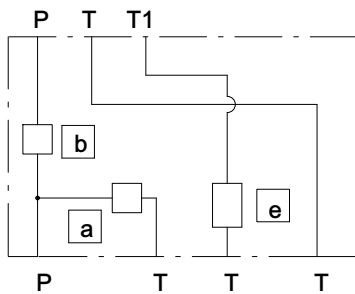
- **P** = Pressure line P for special manifolds
- **T** = Return line T for special manifolds
- **T1** = Secondary return line T1 for special manifolds



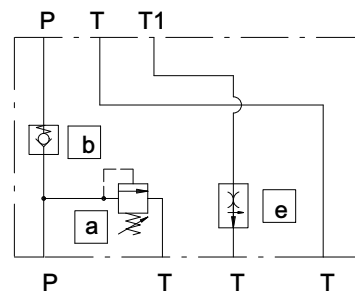
Cavities identification



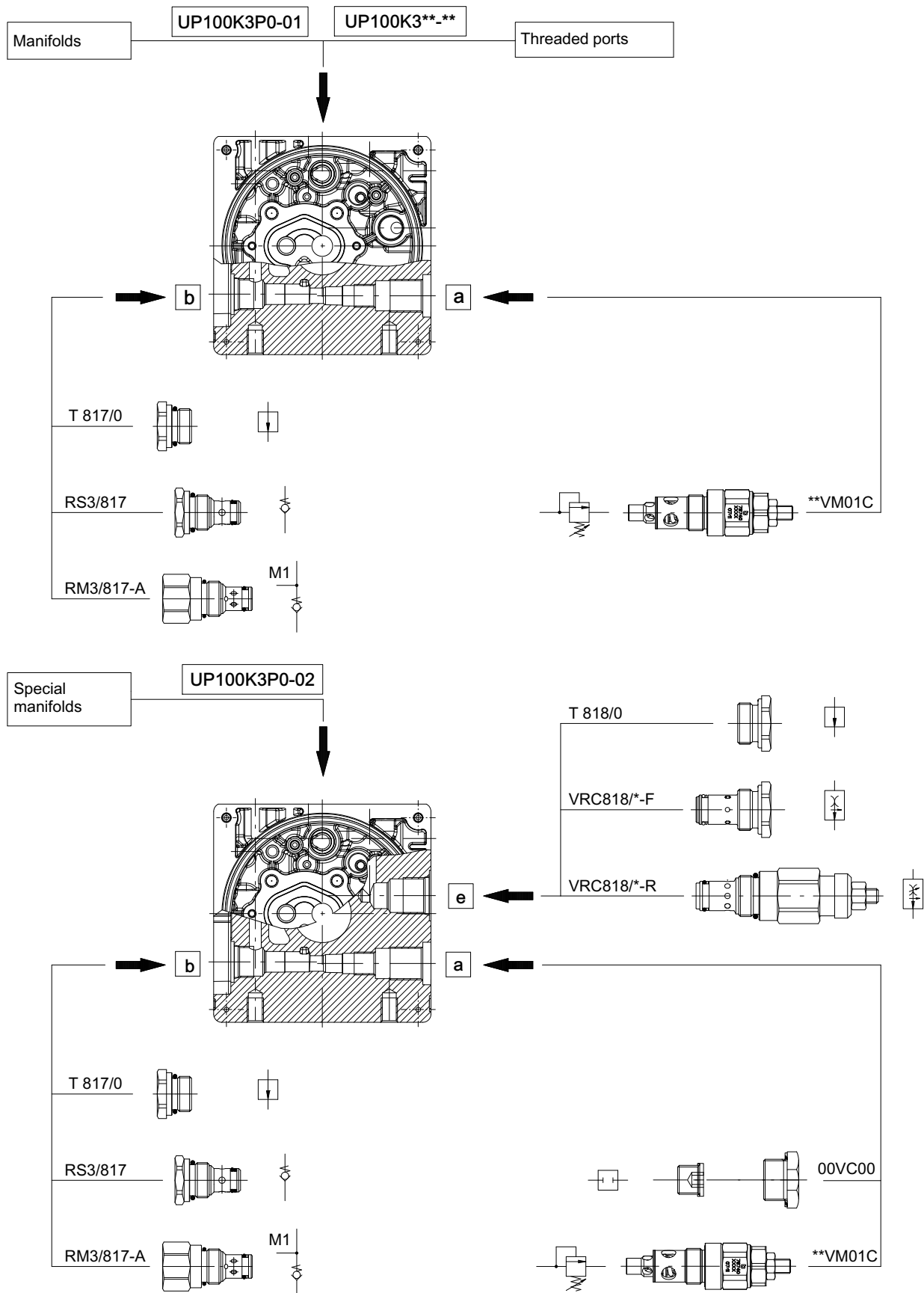
Basic circuit



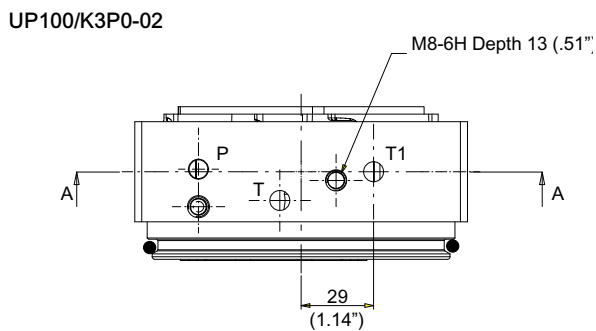
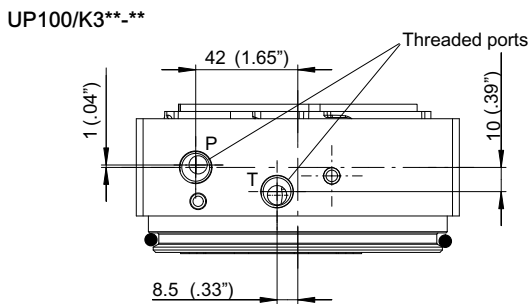
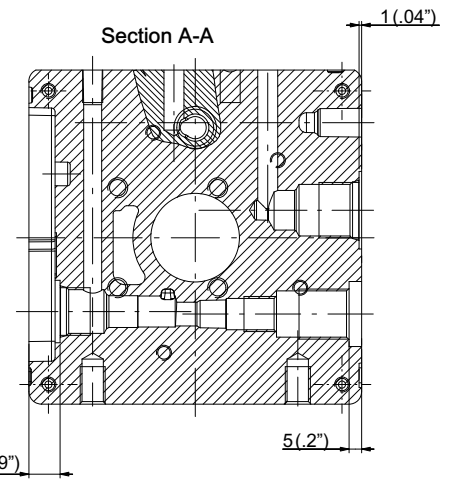
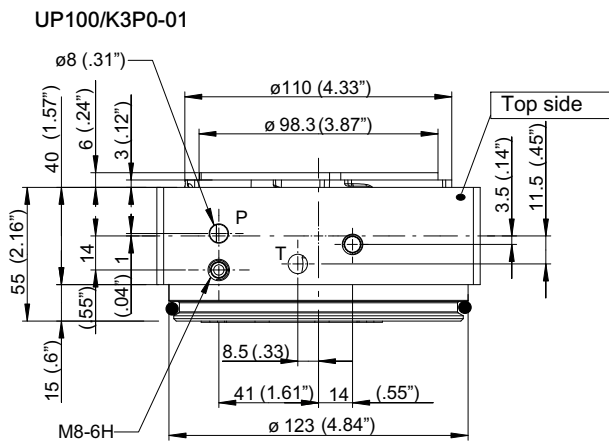
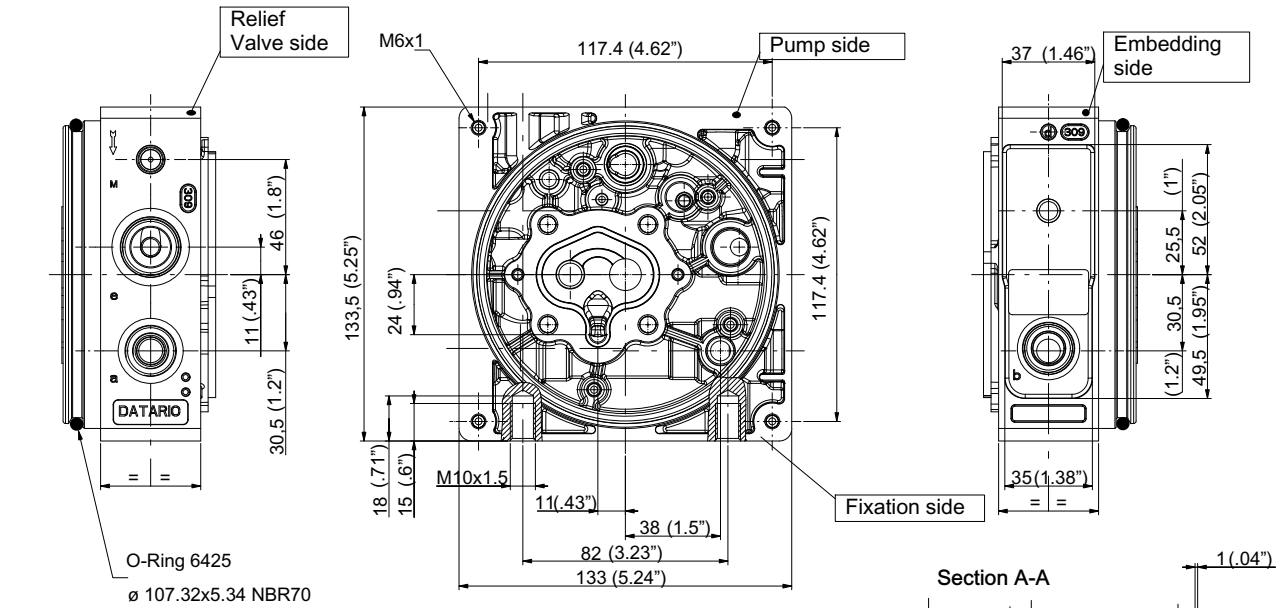
Example of standard circuit



1.3.2 Component accepted by the single cavities



1.3.3 Dimensions



Type	For manifolds
UP100K3P0-01	Section 8 of catalogue

Type	Port P/T
UP100K3G2-01	1/4" BSP
UP100K3M2-01	M14X1.5
UP100K3S2-01	SAE6

Type	For special blocks
UP100K3P0-02	Section 8 of catalogue

Example

1	Type of housing	Vers.
1	U P 1 0 0 K 3 P 0 - 0 1	0 1