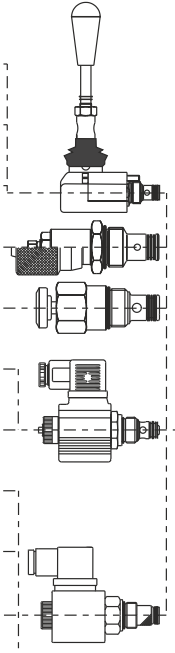


# SECTION B

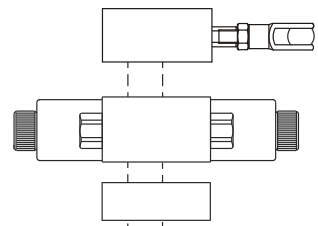


## UNIVERSAL CENTRAL MANIFOLDS «UA» - CAVITIES & INTEGRAL COMPONENTS

EM		CM04M
E		CM04L
U		PMC02
S		CSB04
Z		CPE04
M		MDV31E
D		MDV30E
Q		MSV31
C		MSV31E
A		MSV30
B		MSV30E
T		CSPC15

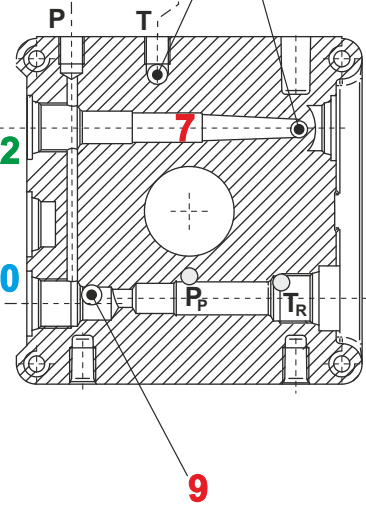
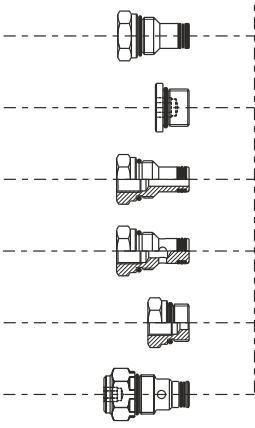


Modular blocks  
(See section F)

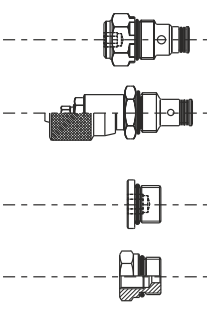


5		VSC01		*
8				
7		VSC04		*
9		SUV01		*

G		E70100005
L		E70100004
P		E70100006
H		E70100003
N		E70100002
J		VUC20



J		VUC20
S		CSB04
L		E70100004
N		E70100002



E70200010		XP
VMDC20		V*

Hydraulic scheme

