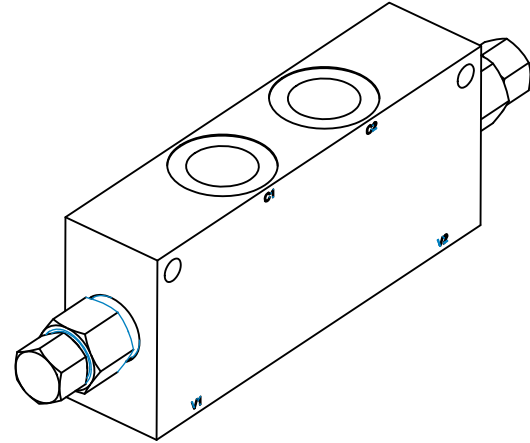
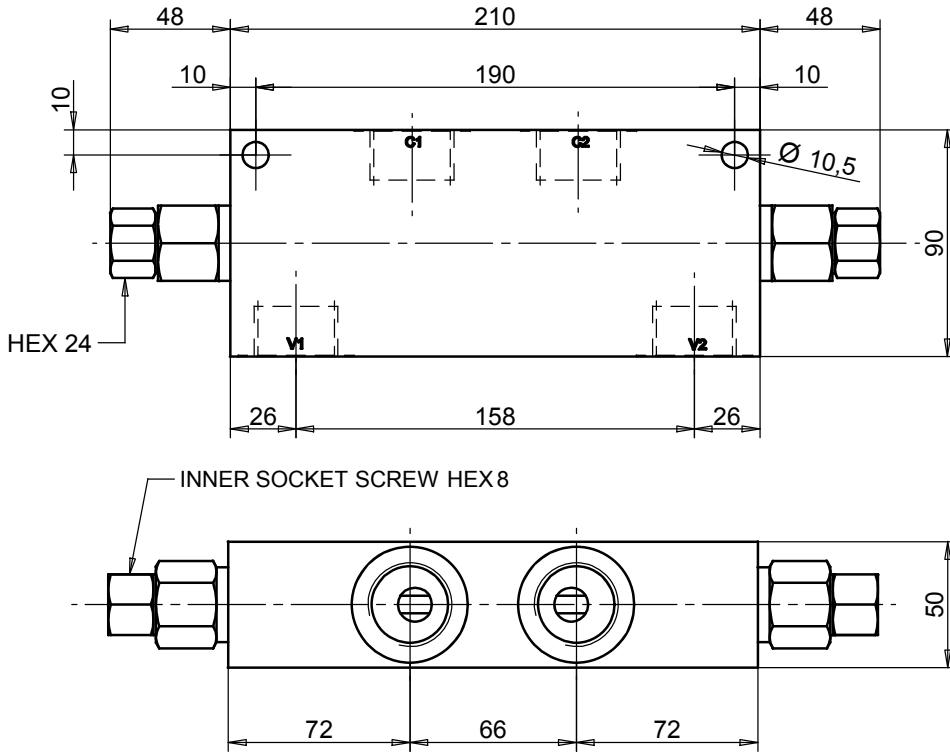
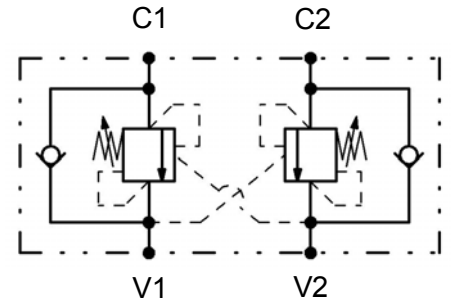


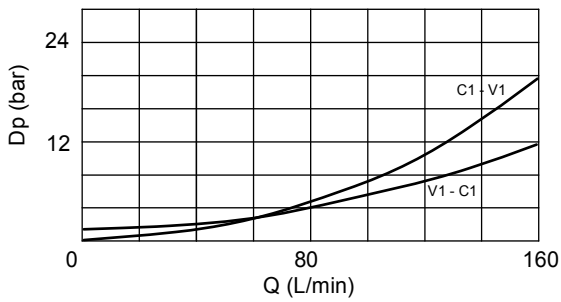
Dimensions



Hydraulic Symbol



Curves



Features

Max Flow	165 lpm
Max Pressure	350 bar
Pilot Ratio	4:1
Std. Pressure range	100 - 350 bar
Ports	V1-V2: G 1" C1-C2: G1"

Materials: Zinc plated steel cartridge, hardened steel inner parts. Aluminium manifold.

Ordering Code

CB150DL 05