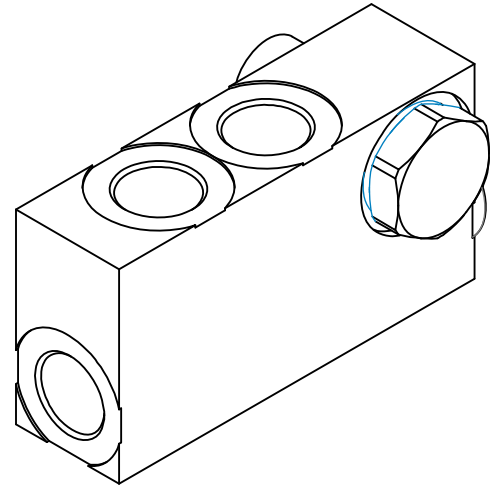
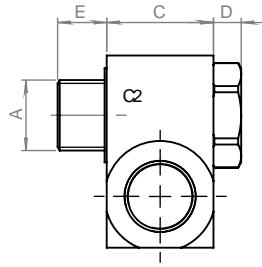
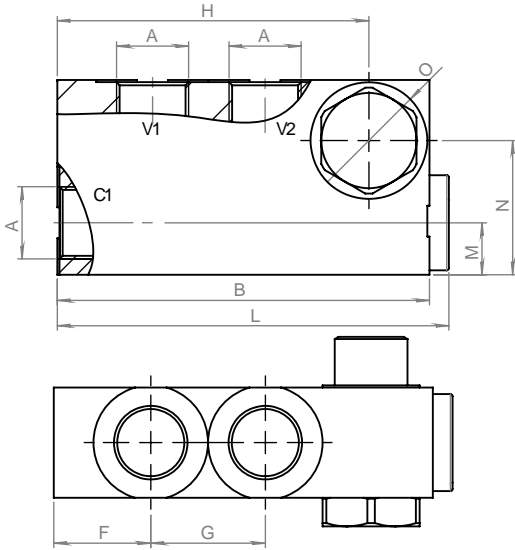
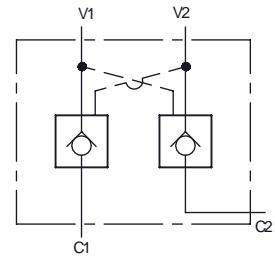


Dimensions

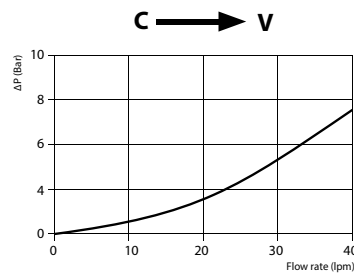
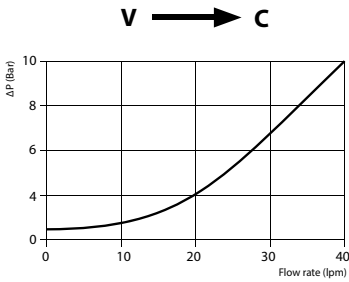


Ordering code	A (BSP)	Max Flow (l/min)	Max Pressure (bar)	B	C	D	E	F	G	H	L	M	N	O
LVDLFB02	3/8"	20	300	86	25	7	11	22	26	72	90.5	12	31	27

Hydraulic Symbol



Curves



Features

Size	02
Max Pressure (bar)	300
Max Flow (lpm)	20
Pilot Ratio	1:4,9
Cracking Pressure (bar)	1

Ordering Code

LVDLFB		--
		Size BSP
02		3/8