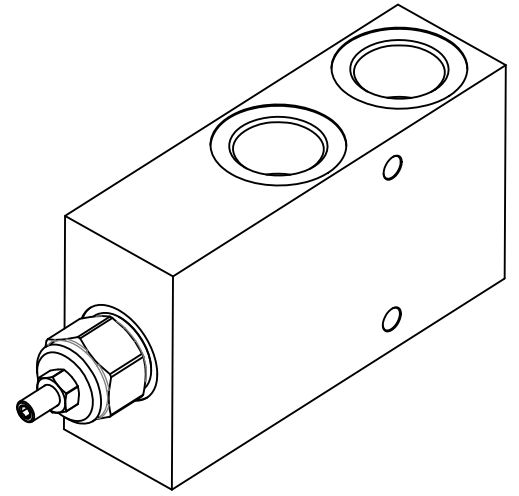
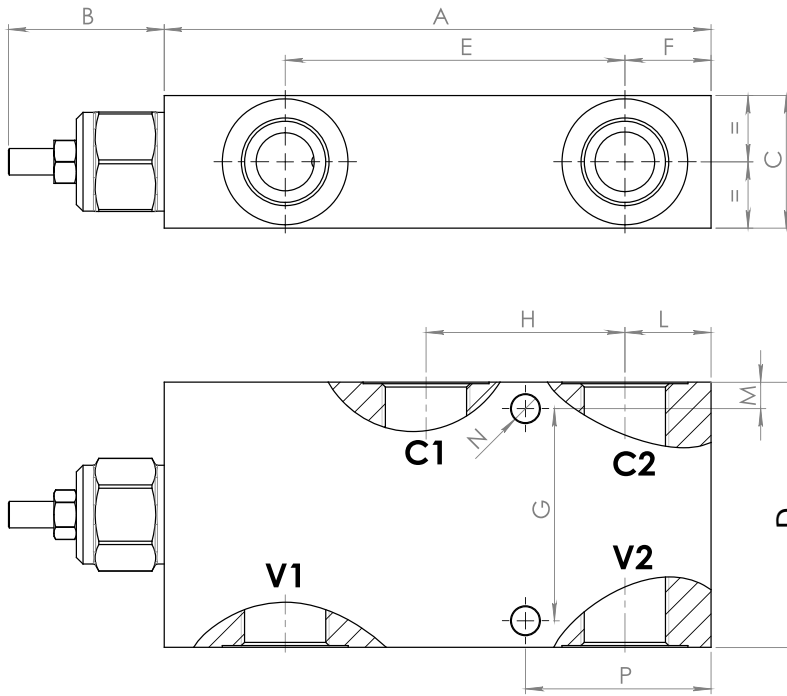
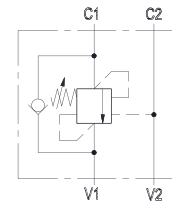


Dimensions

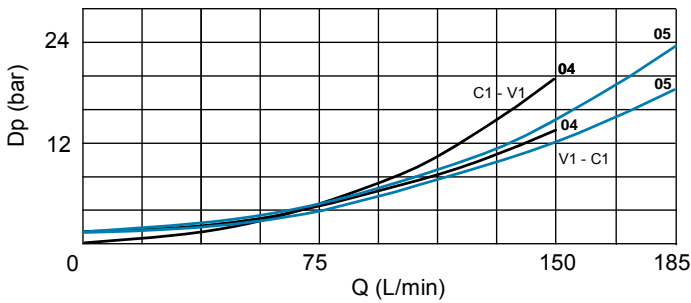


Size	A	B max	C	C1 - C2 V1 - V2	D	E	F	G	H	L	M	N	P	Weight kg
04	165	47	40	3/4	80	102,5	26	64	60	26	8	8,5	56	1,53
05	165	47	50	1	90	102,5	26	64	60	26	13	8,5	56	2,04

Hydraulic Symbol



Curves



Features

Rated Flow	(04) 150 lpm - (05) 180 lpm
Max Pressure	350 bar
Pilot Ratio	6:1

Materials: Zinc plated steel cartridge, hardened steel inner parts.
Aluminium manifold.

Ordering Code

CBSLA -- --

Port Size BSP		Spring		
04	3/4	Pressure Range (bar)	Increase (bar/turn)	Standard Setting (bar) Q=5 lpm
05	1	20	35	150
		30	60	200

Ordering Code Example: CBSLA0430 - 3/4" BSP Ports - 100-350 bar setting range.