



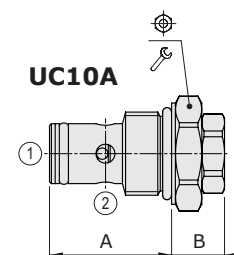
UC..A type check valves - 2 way

- Poppet type
- From SAE08 to SAE16 cavities

Technical specifications and diagrams are measured with mineral oil of 46 cSt viscosity at 40°C (104°F) temperature.

| | UC08A | UC10A | UC12A | UC16A |
|--|-----------------------------------|---|---|---|
| Nominal flow | up to 20 l/min (5.3 US gpm) | up to 35 l/min (9.2 US gpm) | up to 50 l/min (13 US gpm) | up to 100 l/min (26 US gpm) |
| Max. pressure | 350 bar (5100 psi) | | | |
| Oil leakage | at 100 bar (1450 psi) | 0.25 cm ³ /min (0.015 in ³ /min) | 0.25 cm ³ /min (0.015 in ³ /min) | 0.25 cm ³ /min (0.015 in ³ /min) |
| Fluid | mineral based oil | | | |
| Viscosity | 10-200 cSt | | | |
| Max level of contamination | 20/18/14 ISO4406 | | | |
| Fluid temperature | with NBR seals with FPM seals | from -20°C (-4°F) to 80°C (176°F) from -20°C (-4°F) to 100°C (212°F) | | |
| Environmental temp. for working conditions | from -20°C (-4°F) to 50°C (122°F) | | | |
| Cavity | SAE 08/2 | SAE 10/2 | SAE 12/2 | SAE 16/2 |
| Weight | 0.080 kg (0.18 lb) | 0.090 kg (0.20 lb) | 0.180 kg (0.40 lb) | 0.370 kg (0.81 lb) |

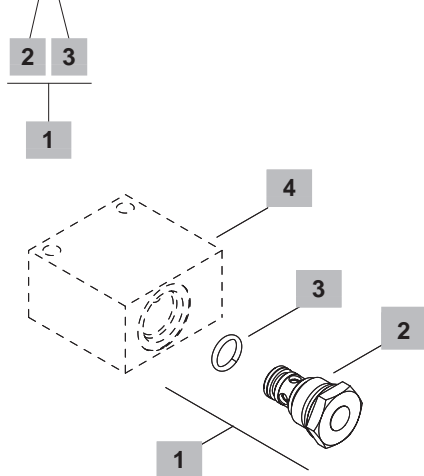
NOTE - For different conditions, please contact Walvoil Sales Dpt.



| Valve type | A | | B | | | | Nm | lbft |
|------------|------|------|------|------|----|-----|----|------|
| | mm | in | mm | in | | | | |
| UC08A | 27.6 | 1.09 | 15.5 | 0.61 | 24 | 30 | 22 | |
| UC10A | 32.3 | 1.27 | 12.5 | 0.49 | 27 | 50 | 37 | |
| UC12A | 46 | 1.81 | 14 | 0.55 | 32 | 80 | 59 | |
| UC16A | 45.2 | 1.78 | 25 | 0.98 | 41 | 100 | 73 | |

Ordering codes and description composition

UC08A/001B



1 Cartridges

| TYPE | CODE | DESCRIPTION |
|------------------------|-------------|------------------------------------|
| SAE cavity 08/2 | | |
| UC08A/001B | 0UC08002001 | Opening pressure 0.5 bar (7.3 psi) |
| SAE cavity 10/2 | | |
| UC10A/001B | 0UC10002000 | Opening pressure 0.5 bar (7.3 psi) |
| SAE cavity 12/2 | | |
| UC12A/001B | 0UC12002000 | Opening pressure 0.5 bar (7.3 psi) |
| SAE cavity 16/2 | | |
| UC16A/001B | 0UC16002001 | Opening pressure 0.5 bar (7.3 psi) |

2 Opening pressure from 1 to 2

| TYPE | DESCRIPTION |
|----------|--------------------|
| 1 | 0.5 bar (7.3 psi) |
| 2 | 2.5 bar (36.2 psi) |
| 3 | 5 bar (72.5 psi) |

3 Seals

| TYPE | DESCRIPTION |
|----------|--|
| B | NBR (Buna) Std configuration without addition |
| V | For valve with FPM (Viton) o-ring seals, contact Sales Dpt. |

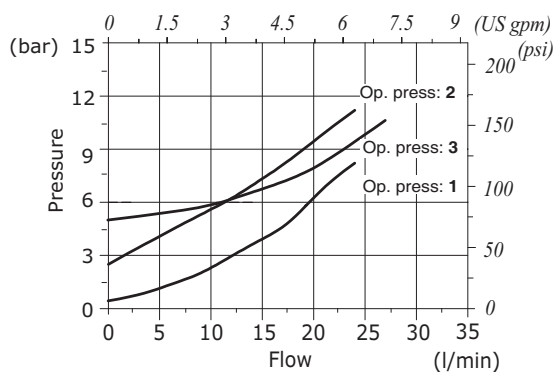
4 Valve body

| TYPE | CODE | DESCRIPTION |
|-----------------------|------------|---|
| SAE 08/2-G 3/8 | 3CC0820C11 | Aluminium body for cavity 08 valve, G3/8 std thread |
| SAE 10/2-G 3/8 | 3CC1020C11 | Aluminium body for cavity 10 valve, G3/8 std thread |
| SAE 12/2-G 1/2 | 3CC1220D11 | Aluminium body for cavity 12 valve, G1/2 std thread |
| SAE 16/2-G 3/4 | 3CC1620E11 | Aluminium body for cavity 16 valve, G3/4 std thread |

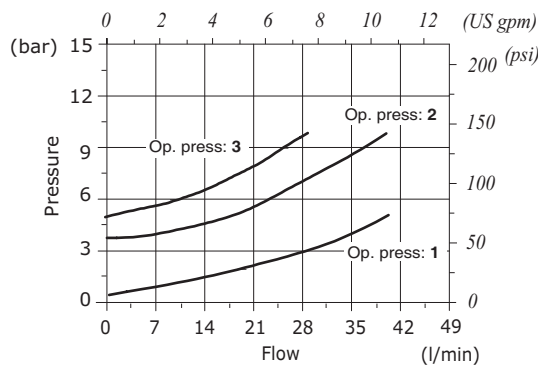
Note: aluminium body can stand up to 210 bar (3050 psi)
For steel bodies or different threading see from page 215

Rating diagrams

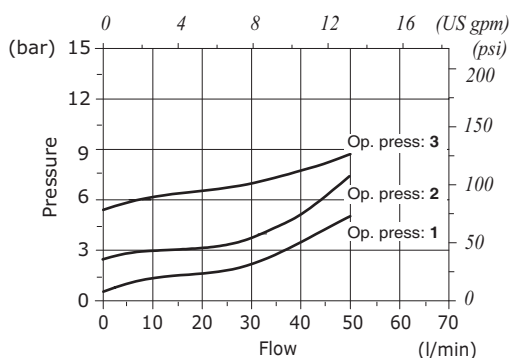
UC08A pressure drop vs flow



UC10A pressure drop vs flow



UC12A pressure drop vs flow



UC16A pressure drop vs flow

