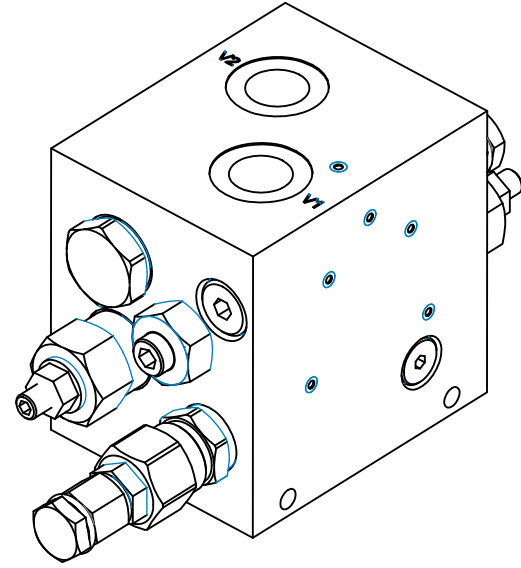
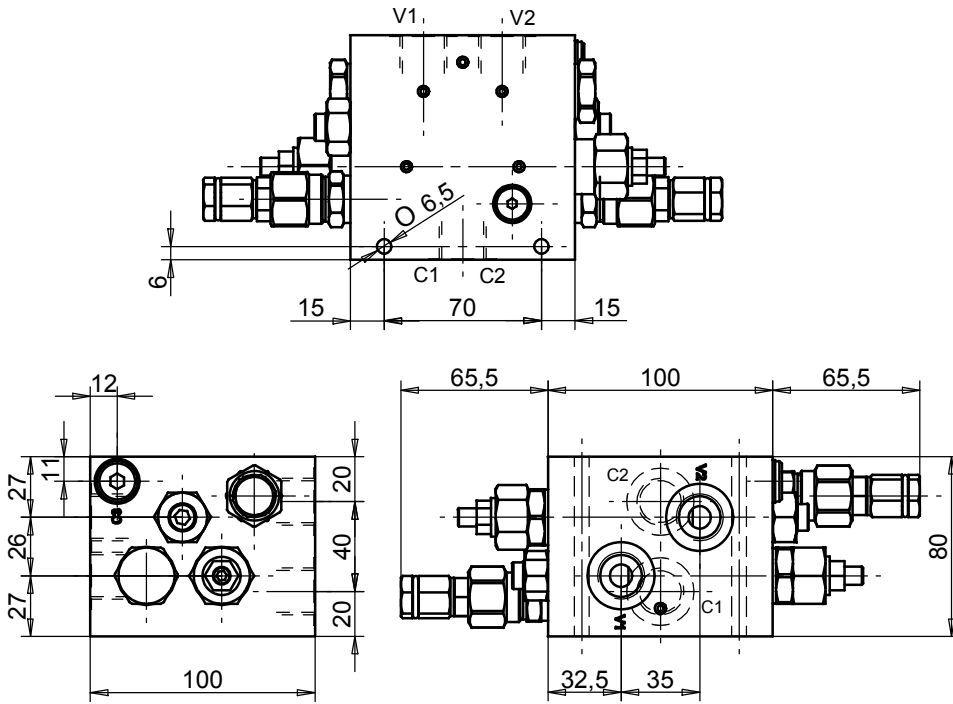
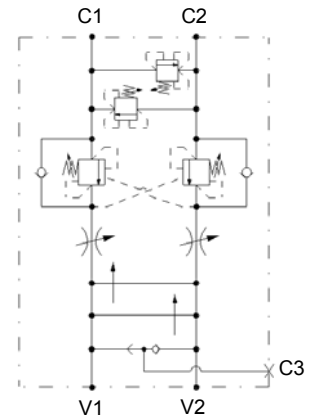


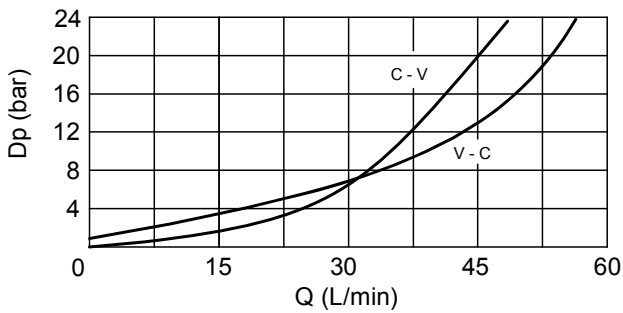
## Dimensions



## Hydraulic Symbol



## Curves



## Features

Max Flow	60 lpm
Max Pressure	270 bar
Pilot Ratio	4,2:1
Ports	V1-V2: G 1/2 C1-C2: G 1/2 C3: G 1/4
Std. Pressure range	100 - 350 bar

## Ordering Code

**VCRT 03**