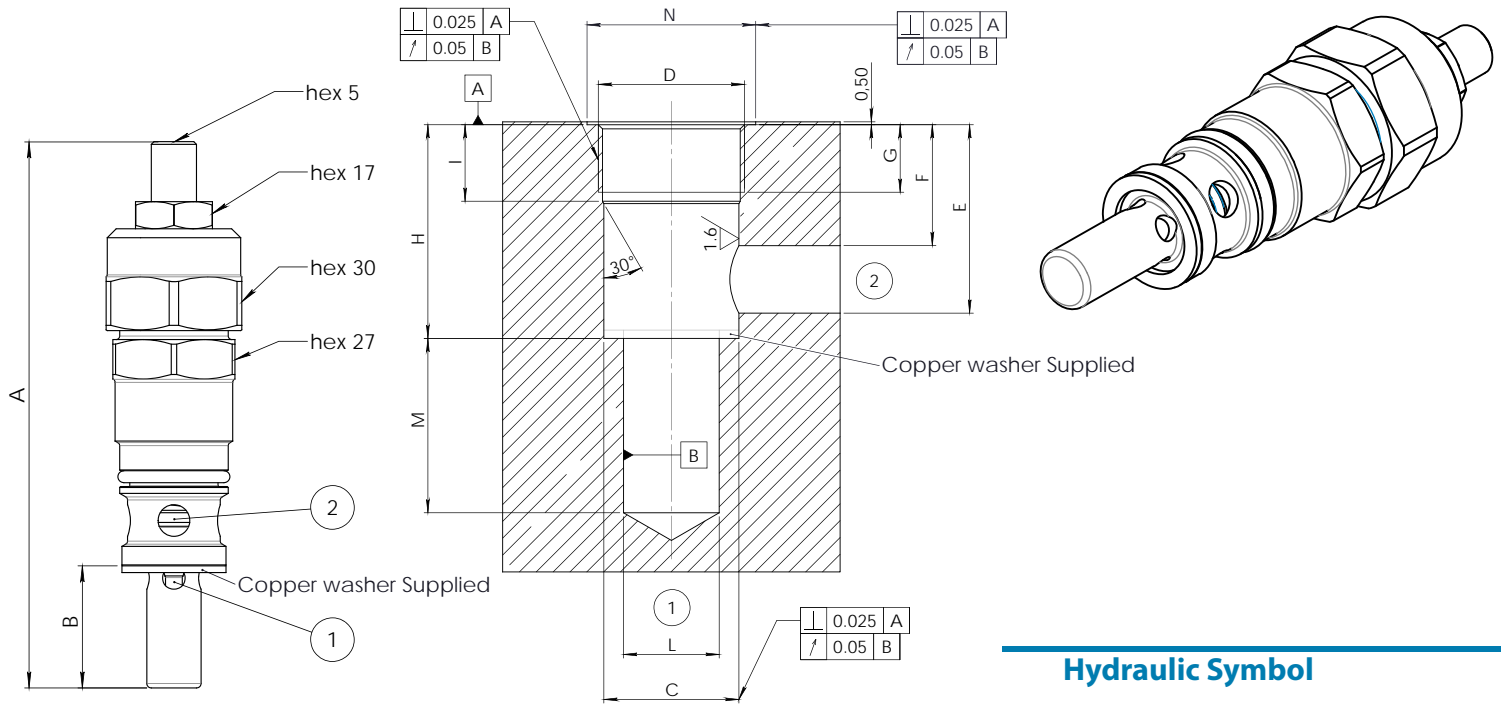
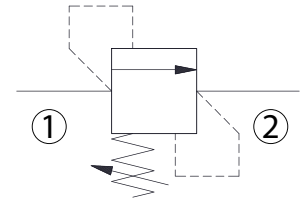


Dimensions

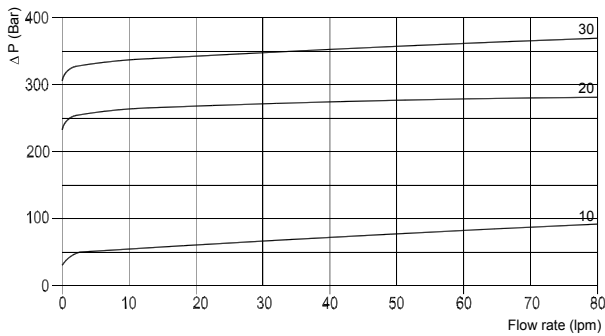


Size	A max	B	C	D	E	F	G	H	I	L	M min	N	Weight kg
80	120	27	24 H7	M26x1,5	33,5	21,5	12	38	13,6	17	28	30	0,29

Hydraulic Symbol



Curves



Features

Rated Flow	80 lpm
Max Pressure	350 bar
Installation Torque	70-80 Nm

Materials: Zinc plated steel cartridge, hardened steel inner parts.

Ordering Code

PRC 80

--

-

	Spring (bar)
10	5-50
20	30-260
30	130-350

Adjustments

A		Socket Screw
B		Handknob
C		Tamperproof Cap

Ordering Code Example: PRC8020A - 30-260 bar setting range, Socket screw adjustment.