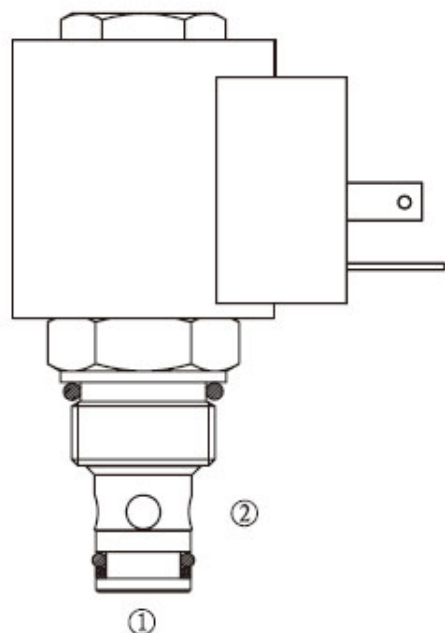


HSV08-20

二位二通电磁阀 常闭型

Normally-Closed, Two-Way, Two-Position
Pilot-Operated Cartridge Solenoid Valve



OPERATION

工作原理

When de-energized, the valve acts as a check valve, allowing flow from ① to ②, while blocking flow from ② to ①.

When energized, the poppet lifts to open the ② to ① flow path.

当电磁铁不通电时，①到②相当于单向阀，②到①关闭；

当电磁铁通电时，②到①开启。

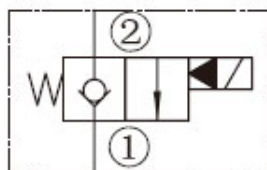
Operation of Manual Override Option: To override, push button in, twist counterclockwise and release. In this position, the valve will remain open.

To return to normal operation, push button in, twist clockwise and release. Override will be detented in this position.

先推进按钮，然后逆时针方向旋转，释放。此时阀口打开；

返回到常态推进按钮，然后顺时针方向旋转，释放。旋钮将被固定在这个位置。

SYMBOL 机能符号



FEATURES

特性

- Continuous-duty solenoid. · 可持续工作的电磁铁。
- Efficient wet-armature construction. · 高效能的电磁铁结构。
- Optional coil voltages and terminations. · 可选择的线圈电压和终端。
- Manual override option. · 可带手动卸荷。
- Industry common cavity. · 工业通用插孔。
- Compact size. · 结构紧凑。

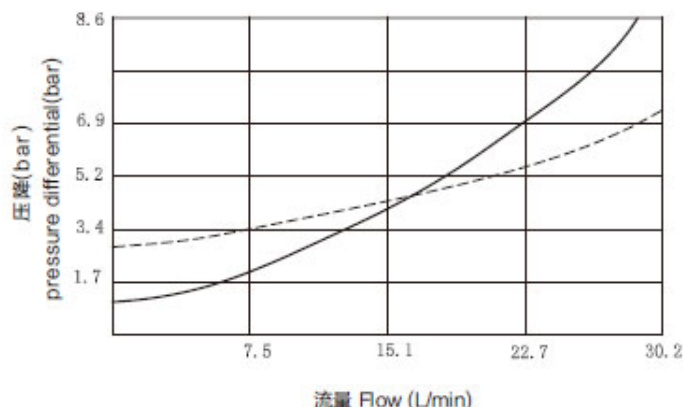
PRESSURE DROP VS. FLOW

性能图

② to ① ——— Energized: 通电

① to ② - - - - De-Energized: 不通电

38°C时150 ssu/32 cSt的油液 150 ssu/32 cSt Oil at 38°C



SPECIFICATIONS

技术参数

最大工作压力 Max. operating pressure: 207 Bar

流量 Flow rate (L/min): 参见性能图 See Pressure Drop Vs. Flow graph

内泄漏 Internal Leakage: 3 drops/min. Max at 207 Bar

介质温度范围(°C) Fluid temperature range (°C): -30 ~ +120

线圈电压范围 Coil Rating: 90% - 110% Of rated Voltage

过滤 Filtration: Critical Application - ISO 18/16/13

Non-Critical Application - ISO 19/17/14

介质 Fluids: 矿物油。其它流体的选择请咨询工厂。

Mineral-based fluids.

For other fluid compatibility consult factory.

插孔 Cavity: 08-2, See page 123 08-2, 参见123页

阀块材料 Body Material:

6061-T6铝，允许使用最大压力20.7MPa

Anodized 6061-T6 aluminum alloy rated at 20.7MPa

钢材允许使用最大压力35MPa

Steel rated at 35MPa