

In line medium pressure filters

HF 690 series



TECHNICAL CHARACTERISTICS

HF 690 filter series are connected to the pressure line of the circuit and protect the system's components against contaminant particles.

The standard filters are supplied with by-pass valve set at 87 psi (6 bar).

- Maximum working pressure 1595 psi (110 bar)
- Flow up to 23.8 US gpm (90 l/min)
- Aluminum head and bowl

MATERIALS	
Head	Anodized aluminum
Bowl	Anodized aluminum
Seals	Buna - Viton
End cap	Zinc plated steel
Inner tube	Zinc plated steel
Filter media	Inorganic micro-fibre glas Reinforced cellulose

FLUID COMPATIBILITY	
Conforming to ISO 2943 (Norm ISO 6743/4)	
Oil mineral (1)	HH - HL - HM - HR - HV - HG
Water emulsion (1)	HFAE - HFAS
Synthetic fluid (2)	HS - HFDR - HFDU - HFDS
(1) With Buna seals	
(2) With Viton seals	

FLOW	
Flow max.	23.8 US gpm (90 l/min)

PRESSURE	
Working pressure	1595 psi (110 bar)
Testing pressure	2321 psi (160 bar)
Burst pressure	4351 psi (300 bar)
Element collapse pressure rating (conforming to ISO 2941)	290 psi (20 bar)

BY-PASS VALVE	
By-pass setting	87 psi (6 bar)

OPERATING TEMPERATURE	
With Buna seals	-30 ÷ 90 °C
With Viton seals	-20 ÷ 110 °C

ENDURANCE STRENGTH	
> 800.000 cycles	
0 ÷ 1595 psi (0 ÷ 110 bar)	

DEGREE OF FILTRATION			
Absolute Filtration			
Multi-pass test conforming to ISO 16889 (regulation in force) Contaminant ISO MTD			
Code	Degree of filtration	Ratio $\beta_{x(c)}$	Percentage of efficiency
FG003	5 μm	$\beta_{5(c)} \geq 200$	99,5 %
FG006	7 μm	$\beta_{7(c)} \geq 200$	99,5 %
FG010	10 μm	$\beta_{10(c)} \geq 200$	99,5 %
FG025	21 μm	$\beta_{21(c)} \geq 200$	99,5 %

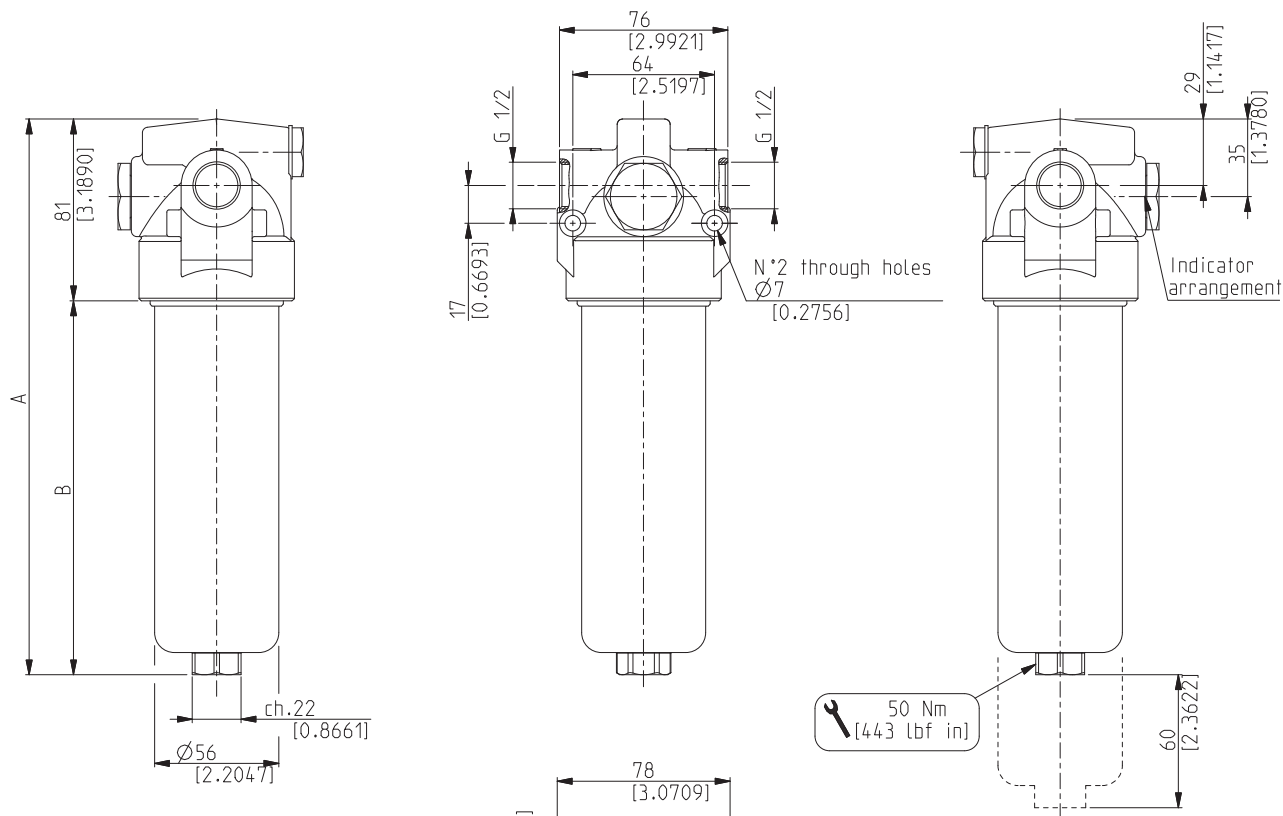
Multi-pass test conforming to ISO 4572 (previous regulation) Contaminant ACFTD			
Code	Degree of filtration	Ratio β_x	Percentage of efficiency
FG003	3 μm	$\beta_3 \geq 200$	99,5 %
FG006	6 μm	$\beta_6 \geq 200$	99,5 %
FG010	10 μm	$\beta_{10} \geq 200$	99,5 %
FG025	25 μm	$\beta_{25} \geq 200$	99,5 %

Nominal Filtration	
Code	Degree of filtration
RP010	10 μm
RP025	25 μm

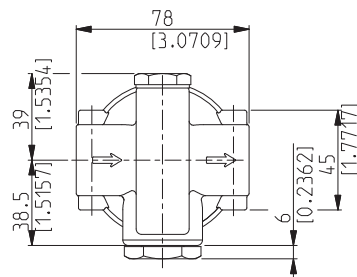
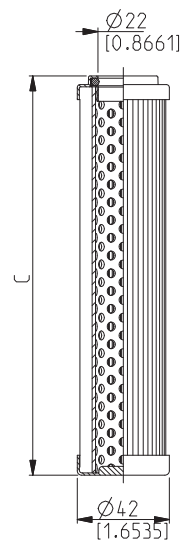
INDICATORS	
Visual differential indicator	
Visual electrical differential indicator	

01/03.2011

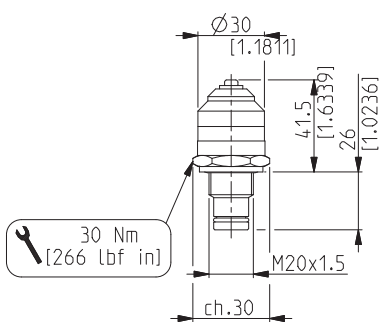
HF 690 DIMENSIONS



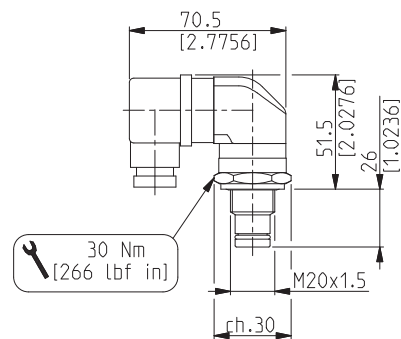
Elements HE K85



With indicator "J"



With indicator "T"



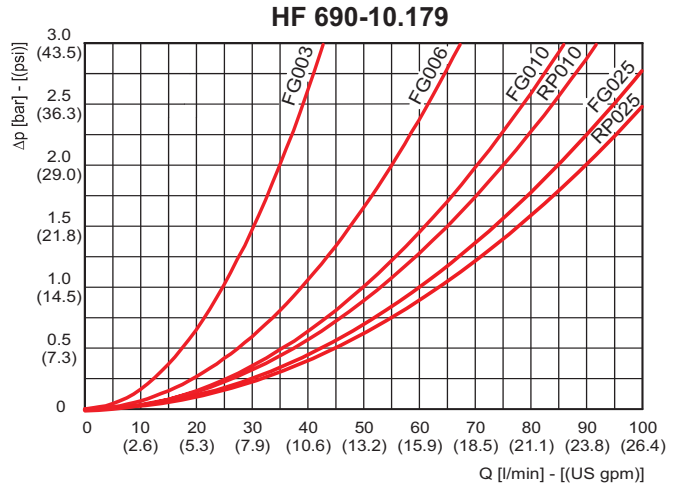
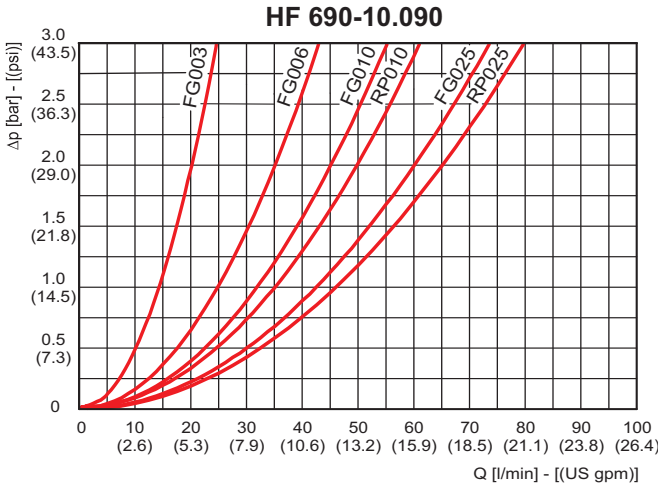
01/03.2011

ICAT_020_002_HF690

Filter type	Weight		A		B	
	kg (lbs)		mm (in)		mm (in)	
HF 690-10.090	1,0 (2.20)		158 (6.2204)		77 (3.0315)	
HF 690-10.179	1,3 (2.87)		247 (9.7244)		166 (6.5354)	

Element type	C	Filtering surface	Dirt holding capacity (ISO MTD) Δp = 72.5 psi (5 bar)			
			FG003	FG006	FG010	FG025
	mm (in)	cm ² (in ²)	gr (lbs)	gr (lbs)	gr (lbs)	gr (lbs)
HE K85-10.090	90 (3.5433)	405 (66.7751)	2,2 (0.0049)	2,9 (0.0064)	3,2 (0.0071)	4,7 (0.0104)
HE K85-10.179	179 (7.0472)	845 (130.9753)	4,7 (0.0104)	6,1 (0.0134)	6,8 (0.0150)	9,8 (0.0216)

COMPLETE FILTER'S PRESSURE DROP



The curves are obtained in the following conditions: mineral oil type SAE 10, kinematic viscosity 120 SSU (30 cSt), density 7.29 lb/gal (0,856 kg/dm³).

FLOW

Filter type	Degree of filtration					
	FG003	FG006	FG010	FG025	RP010	RP025
	Flow $\Delta p= 29$ psi (2 bar) US gpm (l/min)					
HF 690-10.090	5.3 (20)	9.2 (35)	11.9 (45)	15.9 (60)	13.2 (50)	17.2 (65)
HF 690-10.179	9.2 (35)	14.5 (55)	18.5 (70)	22.5 (85)	19.8 (75)	23.8 (90)

HOW TO ORDER A COMPLETE FILTER

- 1 2 3 4 5 6 7 8 9

HF 690 - 10.179 - AS - FG010 - LC - B60 - GD - B - XA - G

1	Filter type	CODE
	See table pag. 2	HF 690-
2	Filtering surface	CODE
	Standard	AS
3	Degree of filtration	CODE
	3 [μm] Micro-fibre glass	FG003
	6 [μm] Micro-fibre glass	FG006
	10 [μm] Micro-fibre glass	FG010
	25 [μm] Micro-fibre glass	FG025
	10 [μm] Reinforced cellulose	RP010
	25 [μm] Reinforced cellulose	RP025

4	Δp collapse pressure	CODE
	290 [psi] (20 [bar])	LC
5	By-pass valve	CODE
	With By-pass setting valve 87 [psi] (6 [bar])	B60
	Without	B00
6	Ports IN/OUT	CODE
	Threads GAS (BSPP)	
	G 1/2	GD

On request metric threads, NPT or SAE J514b are available.

7	Seals	CODE
	Buna	B
	Viton	V
8	Indicator arrangement	CODE
	Arranged	XA
9	Indicators	CODE
	Without indicator, with plug	G
	Visual differential indicator	J
	Visual electrical differential indicator	T

Standard On request

HOW TO ORDER A REPLACEMENT ELEMENT

- 1 2 3 4 5

HE K85 - 10.179 - AS - FG010 - LC - B

1	Filter type	CODE
	See table pag. 2	HE K85-
2	Filtering surface	CODE
	Standard	AS

3	Degree of filtration	CODE
	3 [μm] Micro-fibre glass	FG003
	6 [μm] Micro-fibre glass	FG006
	10 [μm] Micro-fibre glass	FG010
	25 [μm] Micro-fibre glass	FG025
	10 [μm] Reinforced cellulose	RP010
	25 [μm] Reinforced cellulose	RP025

4	Δp collapse pressure	CODE
	290 [psi] (20 [bar])	LC
5	Seals	CODE
	Buna	B
	Viton	V

Standard On request

Edition: 01/03.2011
HF 690 01 TA