

**Technical Information**

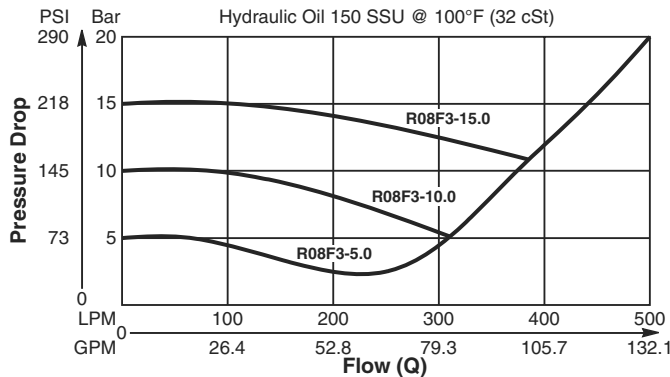
**General Description**

Spool Type , Normally Closed, Vent to Open Logic Element. For additional information see Technical Tips on pages LE1-LE6.

**Features**

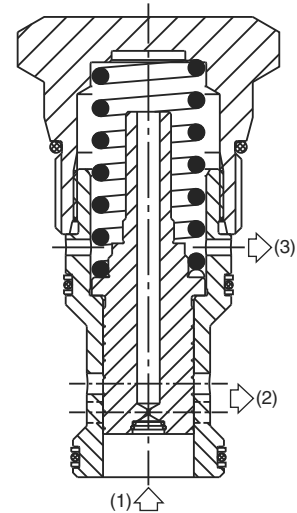
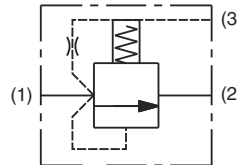
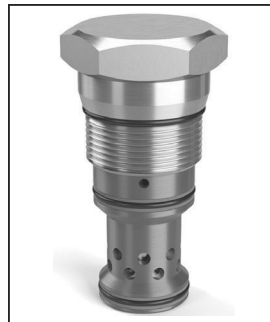
- High flow capacity
- Can be used as high flow switching or metering element
- Can be used as main stage for a pilot operated relief or sequence valve
- Integral 250 micron pilot flow filter
- Various switching pressures available
- 1:1 pilot pressure ratio
- Hardened working parts for maximum durability
- All external parts zinc plated

**Performance Curve** (Through cartridge only)  
**Vented Open Pressure Drop vs. Flow 1 to 2**

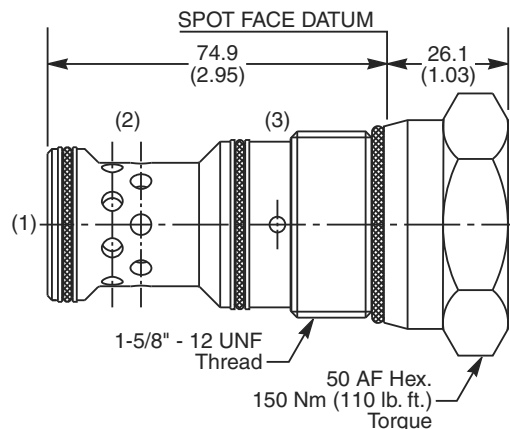


**Specifications**

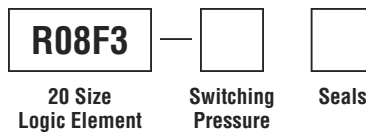
<b>Rated Flow</b>	500 LPM (132 GPM)
<b>Nominal Flow @ 7 Bar (100 PSI)</b>	340 LPM (90 GPM)
<b>Maximum Inlet Pressure</b>	420 Bar (6000 PSI)
<b>Leakage @ 150 SSU (32 cst)</b>	90 ml/min. @ 100 Bar (1450 PSI)
<b>Switching Press.</b>	See ordering information
<b>Cartridge Material</b>	All parts steel. All operating parts hardened steel.
<b>Operating Temp. Range/Seals</b>	-34°C to +121°C (Nitrile) (-30°F to +250°F) -26°C to +204°C (Fluorocarbon) (-15°F to +400°F)
<b>Fluid Compatibility/Viscosity</b>	Mineral-based or synthetic with lubricating properties at viscosities of 45 to 2000 SSU (6 to 420 cSt)
<b>Filtration</b>	ISO-4406 18/16/13, SAE Class 4
<b>Approx. Weight</b>	.69 kg (1.52 lbs.)
<b>Cavity</b>	C20-3S (See BC Section for more details)
<b>Form Tool</b>	Rougher NFT20-3SR Finisher NFT20-3SF



**Dimensions** Millimeters (Inches)



**Ordering Information**



Code	Switching Pressure Non Adjustable Preset
5.0	5.0 Bar (73 PSI) Std.
10.0	10.0 Bar (145 PSI)
15.0	15.0 Bar (218 PSI)
20.0	20.0 Bar (290 PSI)

If no switching pressure is specified, valve will be supplied as R08E3-5.0N

Code	Seals / Kit. No.
N	Nitrile, Buna-N (Std.) / (SK30512N-1)
V	Fluorocarbon / (SK30512V-1)

CV

Check Valves

SH

Shuttle Valves

LM

Load/Motor Controls

FC

Flow Controls

PC

Pressure Controls

LE

Logic Elements

DC

Directional Controls

MV

Manual Valves

SV

Solenoid Valves

PV

Proportional Valves

CE

Coils & Electronics

BC

Bodies & Cavities

TD

Technical Data

