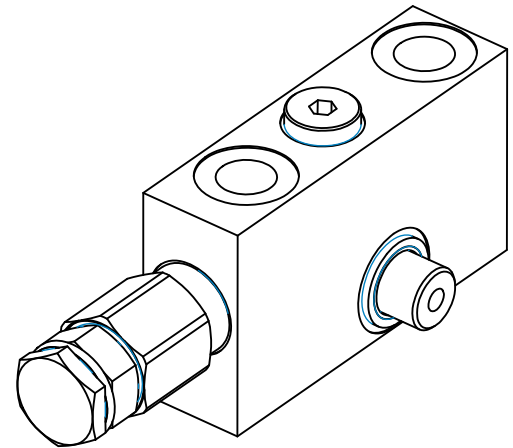
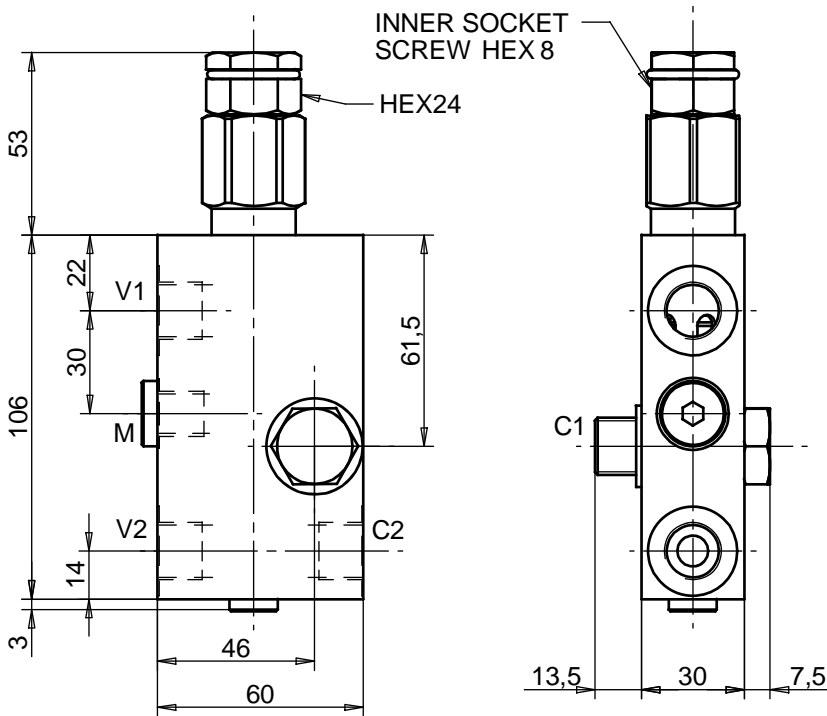
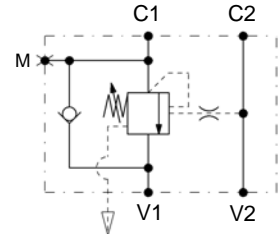


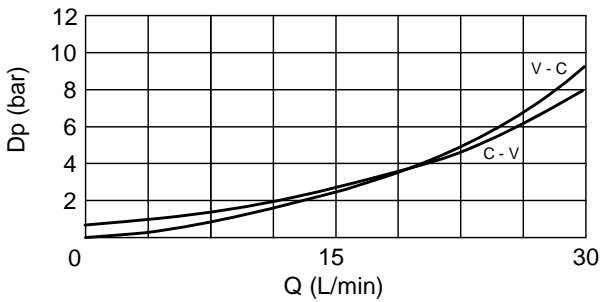
Dimensions



Hydraulic Symbol



Curves



Features

Max Flow	40 lpm
Max Pressure	350 bar
Pilot Ratio	4,2:1
Std. Pressure range	100 - 350 bar
Ports	3/8 bsp

Materials: Zinc plated steel cartridge, hardened steel inner parts. Aluminium manifold.

Ordering Code

CBSEPFBC02