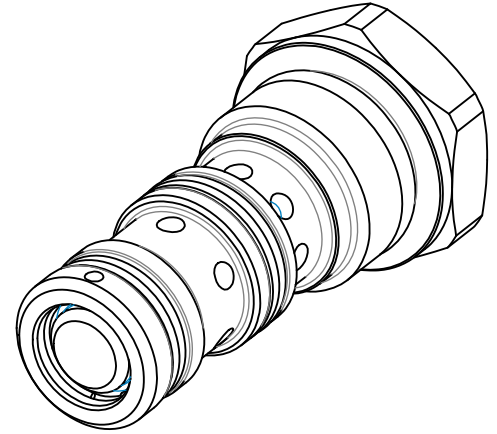
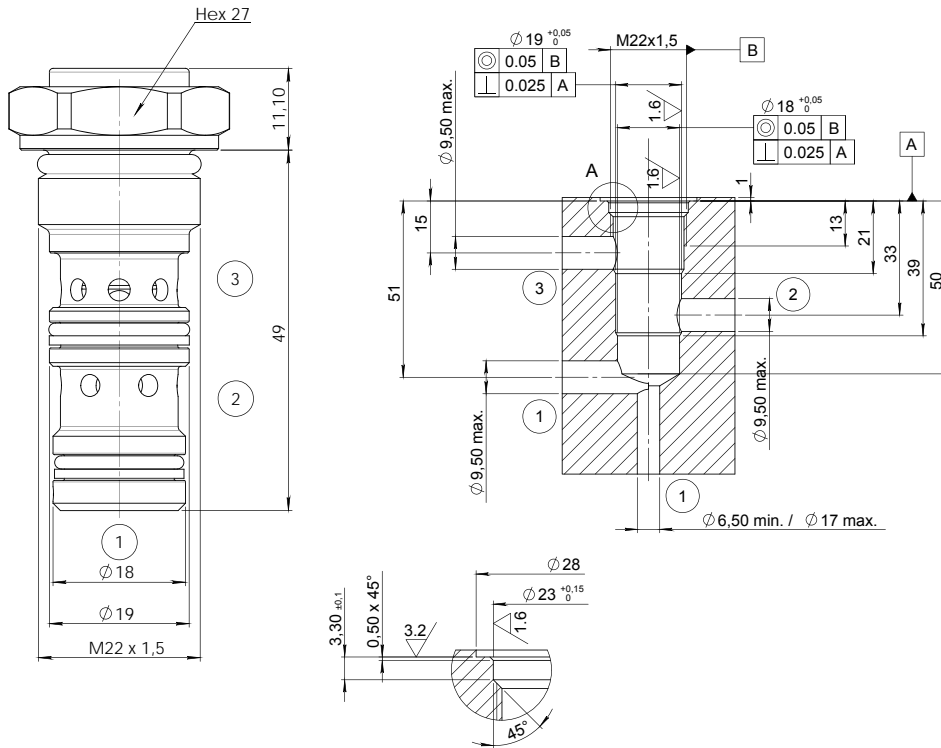
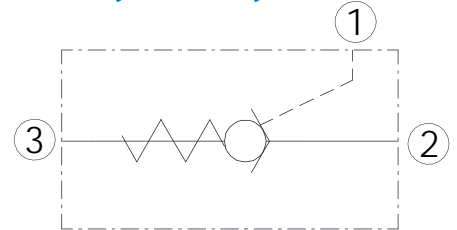


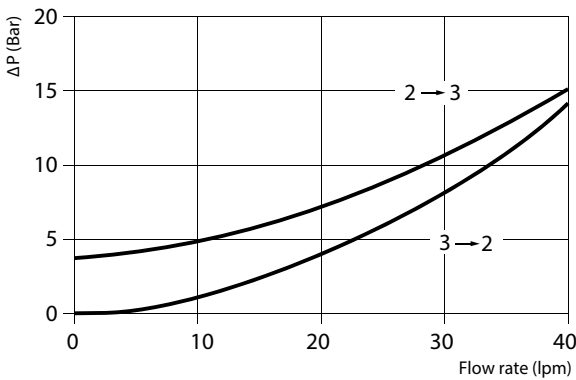
Dimensions



Hydraulic Symbol



Curves



Features

Rated Flow	25 lpm
Max Pressure	315 bar
Pilot Ratio	3,4:1
Cracking Pressure	4 bar
Installation Torque	45-50 Nm
Weight	0,1 kg

Materials: Zinc plated steel cartridge, hardened steel inner parts.

Ordering Code

LVPC 06 -

	Spring (bar)
	4
<b>8</b>	8

Ordering Code Example: LVPC06 - 4 bar Cracking Pressure.