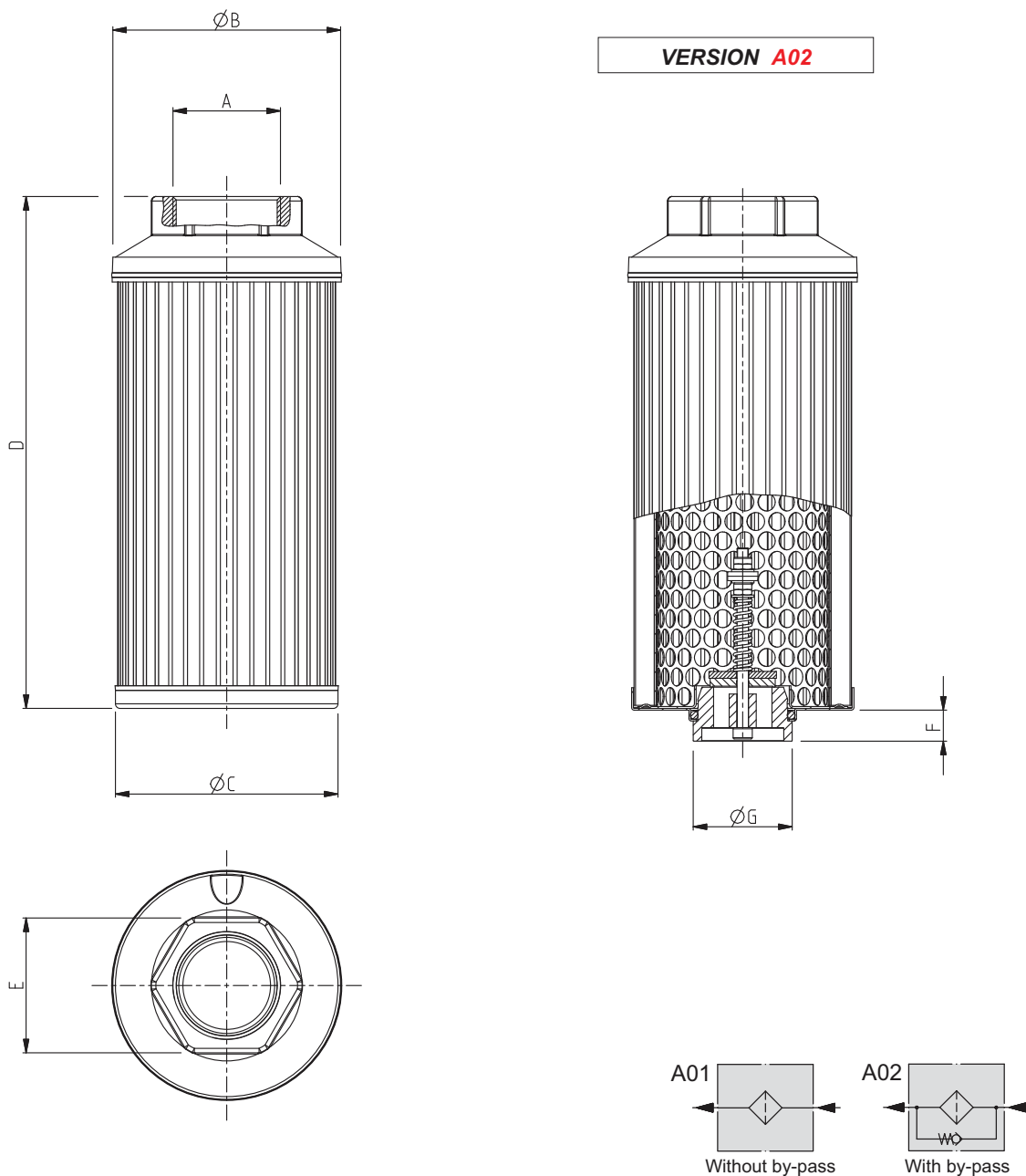


HF410-30 DIMENSION



ICAT_004_003_HF410

01/05.2011

Filter type	Weight		A (Thread GAS-BSPP)		ØB	ØC	D	E	F	G
	kg (lbs)		Standard	On request						
HF 410-30.077	0,35						110			
	(0.77)						(4.3306)			
HF 410-30.122	0,40		G 1	G 1 1/4 - G 1 1/2 - G 2			155	60		
	(0.88)						(6.1023)	(2.3621)		
HF 410-30.162	0,45		G 1 1/4	G 1 - G 1 1/2 - G 2	102	99	195	(70*)	14	44
	(0.99)				(4.0157)	(3.8976)	(7.6771)	(2.7558)	(0.551)	(1.7322)
HF 410-30.195	0,50		G 1 1/2	G 1 - G 1 1/4 - G 2			228			
	(1.10)						(8.9763)			

NPT threads are available (consult our technical department).

(*) Only version with A= G 2.

HOW TO ORDER A COMPLETE FILTER

	1	2	3	4	5					
HF410	-	10.060	-	AS	-	MS090	-	GD	-	A01
HF412										

1	Filter type	CODE
	See table from pag. 5 to pag. 8	HF410-
	See table from pag. 9 to pag. 11	HF412-

2	Filtering surface	CODE
	Standard	AS
	Oversized	FS

3	Degree of filtration	CODE
	25 [µm] Stainless steel wire mesh	MI025
	60 [µm] Stainless steel wire mesh	MI060
	90 [µm] Steel wire mesh	MS090
	125[µm] Stainless steel wire mesh	MI125
	250[µm] Stainless steel wire mesh	MI250

4	Inlet port	CODE
	Thread GAS (BSPP)	
	G 3/8	GC
	G 1/2	GD
	G 3/4	GE
	G 1	GF
	G 1 1/4	GG
	G 1 1/2	GH
	G 2	GL
	G 2 1/2	GM
	G 3	GN

*In case of NPT inlet port, substitute letter G in the code to letter N.
(ex. threed 1" NPT = NF).

5	Optionals	CODE
	None (standard)	A01
	With By-pass	A02

Standard
 On request