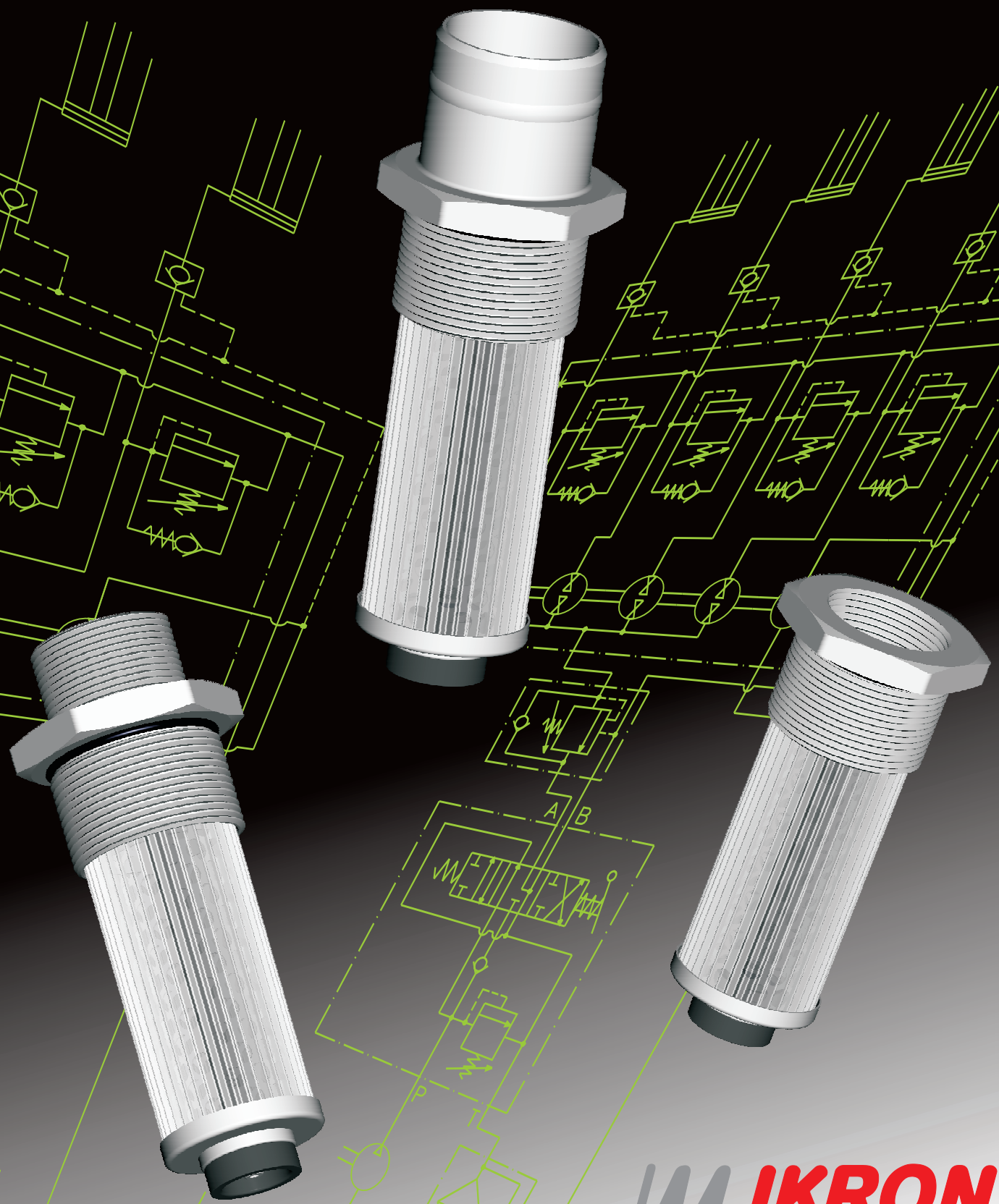


Suction filters

HF 431 / HF 434 / HF 437 series



TECHNICAL CHARACTERISTICS

Tank mounted filters HF 431, HF 434 and HF 437 series are directly connected to the circuit's suction line. The filters can be supplied with by-pass valve set at 2.9 psi (0,2 bar).

- External tank connection
- Aluminum head
- Special version on request
- Washable filtering media

MATERIALS	
Head	Aluminum
End cap	Zinc plated steel
Inner tube	Zinc plated steel
Filter media	Stainless steel wire mesh

BY-PASS VALVE	
By-pass setting	2.90 psi (0,2 bar)

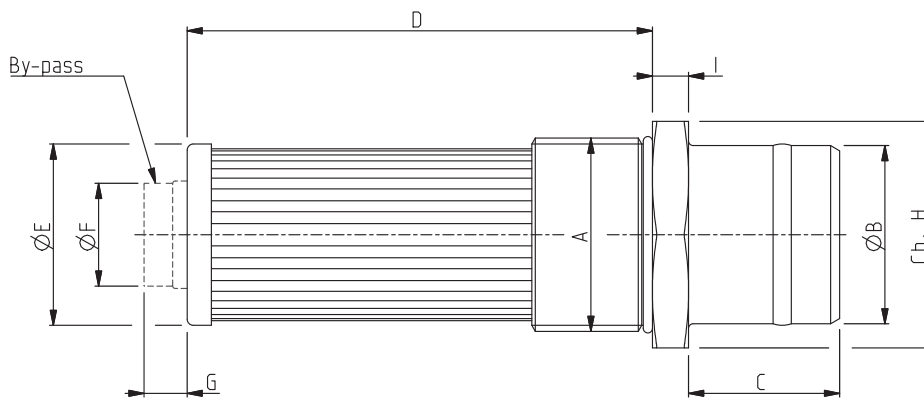
OPERATING TEMPERATURE	
-85 ÷ 195 °F (-30 ÷ 90 °C)	

FLUID COMPATIBILITY	
Conforming to ISO 2943 (Norm ISO 6743/4)	
Oil mineral	HH - HL - HM - HR - HV - HG
Water emulsion	HFAE - HFAS
Water glycol	HFC
Synthetic fluid	HS - HFDR - HFDU - HFDS

DEGREE OF FILTRATION		
Code	Material	Degree of filtration
MI060	Stainless steel wire mesh	60 µm
MI125	Stainless steel wire mesh	125 µm
MI250	Stainless steel wire mesh	250 µm

PRESSURE	
Element collapse pressure rating (conforming to ISO 2941)	14.50 psi (1 bar)

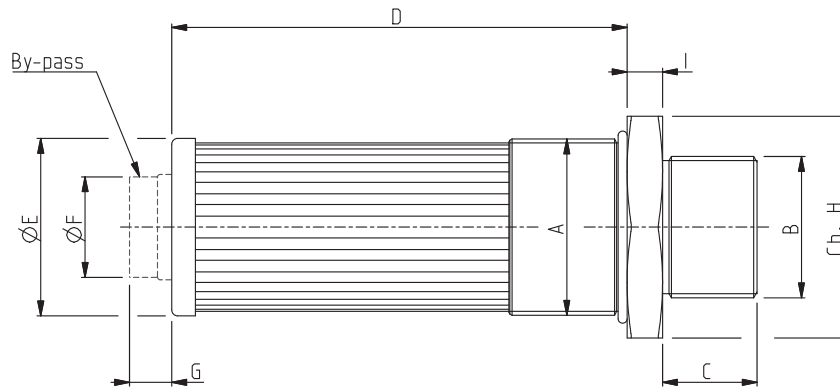
HF 431 DIMENSIONS



Filter type	A ₁	A ₂	ØB	C	D	ØE	ØF	G	H ₁	H ₂	I	Filt. surface
	Metric	GAS-BSPP	mm (in)	mm (in)	mm (in)	mm (in)	mm (in)	mm (in)	mm (in)	mm (in)	mm (in)	cm ² (in ²)
HF 431-10.077	M 42x2	G 1"1/4	32 (1.2598)	40 (1.5747)	97 (3.8188)	37 (1.4566)	18,5 (0.7283)	12 (0.4724)	50 (1.9684)	50 (1.9684)	10 (0.3936)	208 (32.2400)
HF 431-20.095	M 52x2	G 2"	38 (1.4960)	45 (1.7716)	120 (4.7243)	49 (1.9291)	30 (1.1810)	13 (0.5118)	65 (2.5590)	70 (2.7558)	12 (0.4724)	384 (59.5201)
HF 431-30.122	M 64x2	G 2"1/2	51 (2.0078)	50 (1.9684)	153 (6.0236)	59 (2.3228)	34 (1.3385)	14 (0.5511)	75 (2.9527)	85 (3.3464)		440 (68.2001)

With A₁ thread please consider hex-key H₁, while with thread A₂ please consider hex-key H₂.

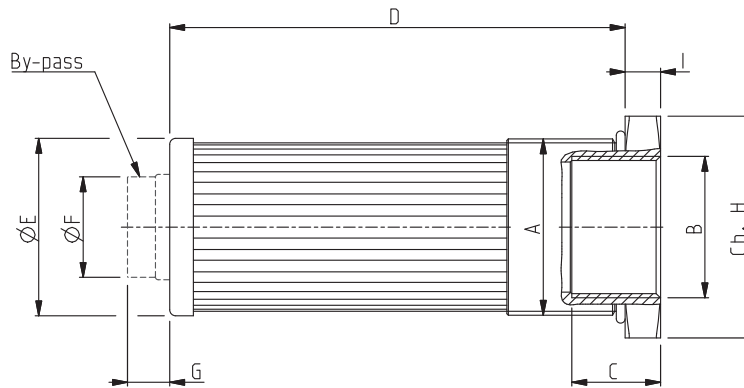
HF434 DIMENSIONS



ICAT_005_002_HF431

Filter type	A	B	C	D	ØE	ØF	G	H	I	Filt. surface
	GAS-BSPP	GAS-BSPP	mm (in)	mm (in)	mm (in)	mm (in)	mm (in)	mm (in)	mm (in)	cm ² (in ²)
HF 434-10.077	G 1"1/4	G 3/4"	16 (0.6299)	97 (3.8188)	39 (1.5354)	18,5 (0.7283)	12 (0.4724)	50 (1.9684)	10 (0.3936)	208 (32.2400)
		G 1"	19 (0.7480)							
HF 434-20.095	G 1"1/2	G 1"	19 (0.7480)	120 (4.7243)	45 (1.7716)	30 (1.1810)	13 (0.5118)	55 (2.1653)	10 (0.3936)	300 (46.5000)
		G 1"1/4	20 (0.7883)							
HF 434-30.122	G 2"	G 1"1/4	20 (0.7883)	153 (6.0236)	52 (2.0472)	34 (1.3385)	14 (0.5511)	70 (2.7558)	12 (0.4724)	440 (68.2001)
		G 1"1/2	22 (0.8661)							

HF437 DIMENSIONS



ICAT_005_003_HF431

Filter type	A	B	C	D	ØE	ØF	G	H	I	Filt. surface
	GAS-BSPP	GAS-BSPP	mm (in)	mm (in)	mm (in)	mm (in)	mm (in)	mm (in)	mm (in)	cm ² (in ²)
HF 437-10.077	G 1"1/4	G 3/4"	20 (0.7883)	97 (3.8188)	39 (1.5354)	18,5 (0.7283)	12 (0.4724)	50 (1.9684)	10 (0.3936)	208 (32.2400)
		G 1"	22 (0.8661)							
HF 437-20.095	G 1"1/2	G 1"	22 (0.8661)	120 (4.7243)	45 (1.7716)	30 (1.1810)	13 (0.5118)	55 (2.1653)	10 (0.3936)	300 (46.5000)
		G 1"1/4	24 (0.9448)							
HF 437-30.122	G 2"	G 1"1/4	24 (0.9448)	153 (6.0236)	52 (2.0472)	34 (1.3385)	14 (0.5511)	70 (2.7558)	12 (0.4724)	440 (68.2001)
		G 1"1/2	26 (1.0236)							

01/09.2010

NOMINAL FLOWS

Filter type	"A" Connection	"B" Connection	Degree of filtration			
			MI060	MI125	MI250	
			Nominal flow US gpm (l/min)			
HF 431-10.077	M 42x2	G 1"1/4	Ø 32 (1.2598)	13.2 (50)	15.8 (60)	18.5 (70)
HF 431-20.095	M 52x2	G 2"	Ø 38 (1.4960)	25.1 (95)	29.0 (110)	31.7 (120)
	M 52x2	G 2"	Ø 51 (2.0078)	30.4 (115)	35.7 (135)	39.7 (150)
HF 431-30.122	M 64x2	G 2"1/2	Ø 59 (2.3228)	46.2 (175)	52.9 (200)	58.1 (220)
HF 434-10.077	G 1"1/4	G 3/4"		7.9 (30)	10.6 (40)	11.9 (45)
	G 1"1/4	G 1"		11.9 (45)	14.5 (55)	15.8 (60)
HF 434-20.095	G 1"1/2	G 1"		15.8 (60)	18.5 (70)	19.8 (75)
	G 1"1/2	G 1"1/4		22.5 (85)	26.4 (100)	29.0 (110)
HF 434-30.122	G 2"	G 1"1/4		27.7 (105)	31.7 (120)	34.3 (130)
	G 2"	G 1"1/2		34.3 (130)	39.7 (150)	42.3 (160)
HF 437-10.077	G 1"1/4	G 3/4"		7.9 (30)	10.6 (40)	11.9 (45)
	G 1"1/4	G 1"		11.9 (45)	14.5 (55)	15.8 (60)
HF 437-20.095	G 1"1/2	G 1"		15.8 (60)	18.5 (70)	19.8 (75)
	G 1"1/2	G 1"1/4		22.5 (85)	26.4 (100)	29.0 (110)
HF 437-30.122	G 2"	G 1"1/4		27.7 (105)	31.7 (120)	34.3 (130)
	G 2"	G 1"1/2		34.3 (130)	39.7 (150)	42.3 (160)

HOW TO ORDER A COMPLETE FILTER

	1	2	3	4	5					
HF431	-	10.077	-	PG	/	32	-	MI060	-	A01

	1	2	3	4	5					
HF434	-	10.077	-	GG	/	GE	-	MI060	-	A01

	1	2	3	4	5					
HF437	-	10.077	-	GG	/	GE	-	MI060	-	A01

1	Filter type	CODE
	See table pag. 1	HF431-
	See table pag. 2	HF434-
	See table pag. 2	HF437-
2	Thread connection	CODE
METRIC - only for HF431		
	M 42x2	PG
	M 52x2	PH
	M 64x2	PL
GAS (BSPP)		
	G 1 1/4	GG
	G 1 1/2	GH
	G 2	GL
	G 2 1/2	GM

3	Suction connection	CODE
HOSE CONNECTOR - only HF431		
	Ø 32	32
	Ø 38	38
	Ø 51	51
	Ø 59	59
GAS thread (BSPP) - only for HF434 / HF437		
	G 3/4	GE
	G 1	GF
	G 1 1/4	GG
	G 1 1/2	GH
4	Degree of filtration	CODE
	60 [µm] Stainless steel wire mesh	MI060
	125[µm] Stainless steel wire mesh	MI125
	250[µm] Stainless steel wire mesh	MI250

5	Optionals	CODE
	None	A01
	With By-pass	A02

HF 431 01 TA Edition:01/09.2010

Standard
 On request