



# HPM FIRST STAR GROUP LTD

HYDRAULIC MOTORS AND STEERING UNITS





## Hydraulic orbit motors&Brake

### Axial Spool Valve Distribution Type

BMM Series (Danfoss OMM,M+S EPMM/MLHM,Eaton J) .....	001
BMP/BMPH Series (Danfoss OMP/DH,M+S EPM/MLHP,Eaton H) .....	007
BMR/BMRS Series (Danfoss OMR/DS,M+S EPRM/MLHR,Eaton S) .....	015
BMH Series (Danfoss OMH,M+S EPHM/MLHH) .....	025

### Disk Valve Distribution Type

BMS/BMSE/BMSY Series (Danfoss OMS,M+S EPMS/MLHS,Eaton 2000) .....	029
BMT/BMTE Series (Danfoss OMT,M+S EPMT/MLHT,Eaton 4000).....	047
BMV Series (Danfoss OMV,M+S EPMV/MLHV).....	057
BME2 Series (Packer TE ) .....	062
BMJ Series (Packer TJ) .....	065
BMER Series (White RE 500/501, Packer TG) .....	067
BMK6 Series (Eaton 6000) .....	072

### Hydraulic brake

Bk2 Series Hydraulic Brake ( White SB.930,M+S ELB ) .....	077
---	-----

## Hydraulic Piston motors

### IAM Series Radial Piston Hydraulic Motor

Series: H1 H2 H3 H34 H5 H6 (Intermot IAM) .....	079
---	-----

### GM Series Swivelling Cylinder Hydraulic Motor

Series: GM05 GM1 GM2 GM3 GM4 GM5 GM6 (SAI GM) .....	092
---	-----

## Hydraulic Steering units&Accessory

109 (Danfoss OSPM) .....	106
101(Danfoss OSPB) .....	107
101S(Danfoss OSPC) .....	109
BZZ .....	111
Drawing Example .....	113



# BMM Series hydraulic orbit motor



Replace with Danfoss OMM Series, M+S EPMM/MLHM Series, Eaton J Series

## Parameters

Type		BMM -8	BMM -12.5	BMM -20	BMM -32	BMM -40	BMM -50
Displacement (cm <sup>3</sup> /rev.)		8.2	12.9	19.9	31.6	39.8	50.3
Max. speed (rpm)	cont.	1950	1550	1000	630	500	400
	int.	2450	1940	1250	800	630	500
Max. torque (N•m)	cont.	11	16	25	40	45	46
	int.	15	23	35	57	70	88
	peak	21	33	51	64	82	100
Max. output (K W)	cont.	1.8	2.4	2.4	2.4	2.2	1.8
	int.	2.6	3.2	3.2	3.2	3.2	3.2
Max. pressure drop (Mpa)	cont.	10	10	10	10	9	7
	int.	14	14	14	14	14	14
	peak	20	20	20	16	16	16
Max. flow (L/min)	cont.	16	20	20	20	20	20
	int.	20	25	25	25	25	25
Weight (kg)		1.9	2	2.1	2.2	2.3	2.4

## Selection

1	2	3	4
<b>Series</b>	<b>Displacement</b>	<b>Flange</b>	<b>Output shaft</b>
<b>BMM</b>	<b>8</b>	<b>Code M:</b> 3-M6 Circle-flange, pilot Ø31.5 ×5	<b>Code A:</b> Shaft Dia Ø16, Parallel key 5 ×5×16
	<b>12.5</b>		<b>Code B:</b> Shaft Dia Ø15.875 Parallel key 4.8×4.8×19.05
	<b>20</b>		<b>Code C:</b> Shaft Dia Ø16.5, involute Spline shaft B17× 14, DIN5482
	<b>32</b>	<b>Code U:</b> 3-1/4-28UNF Circle-flange, pilot Ø31.5×5	
	<b>40</b>	<b>Code F:</b> 2-Ø9 Oval-flange, pilot Ø63×2	
	<b>50</b>		
5	6	7	8
<b>Port and drain port</b>	<b>Rotation direction</b>	<b>Paint</b>	<b>Unusually function</b>
<b>Code E:</b> G3/8, G1/8 <b>Code U:</b> 9/16-18UNF, 3/8-24UNF, <b>Code 1E:</b> End port G3/8, G1/8 <b>Code 1U:</b> End port 9/16- 18UNF, 3/8-24UNF	<b>Omit:</b> Standard <b>Code R:</b> Opposite	<b>Omit:</b> Blue <b>Code 00:</b> No paint <b>Code B:</b> Black <b>Code S:</b> Silver Grey	<b>Omit:</b> Standard <b>Code 0:</b> No case drain

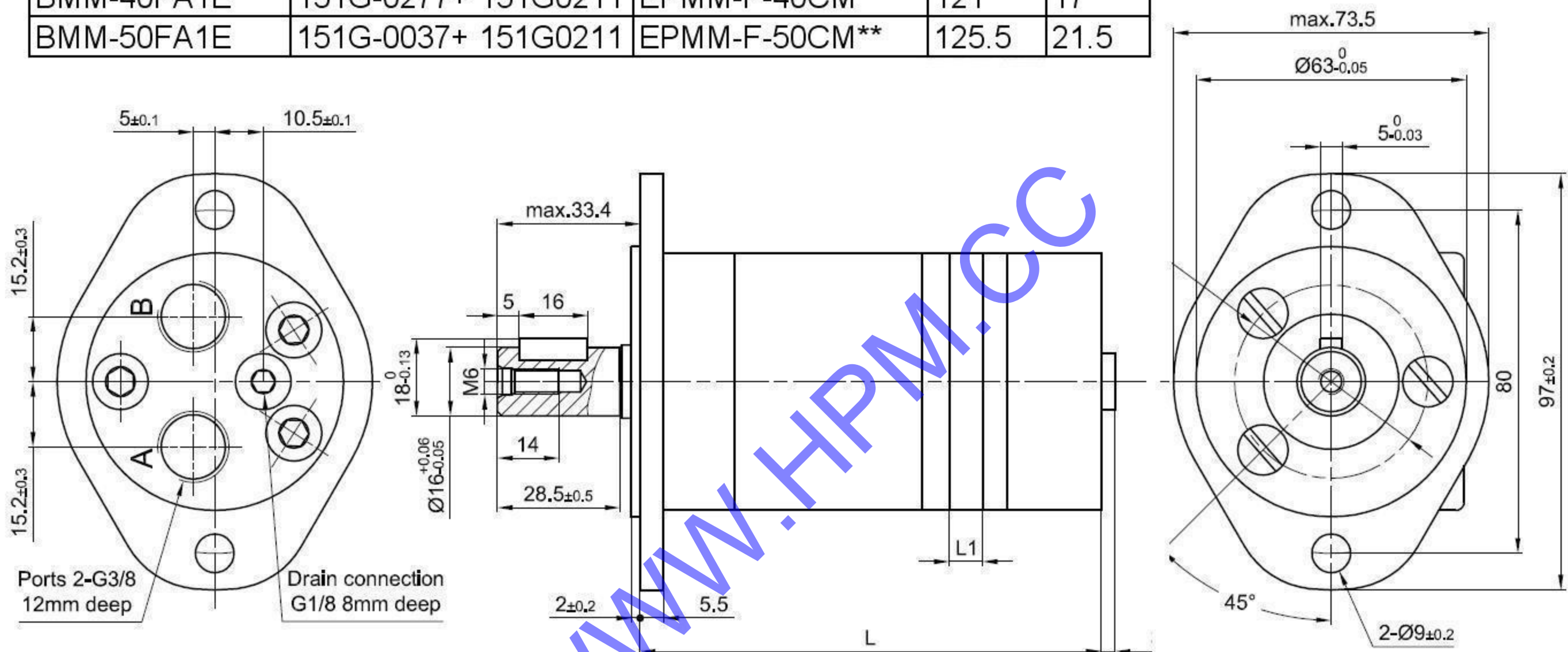


Replace with Danfoss OMM Series, M+S EPMM/MLHM Series, Eaton J Series

## Popular model drawing

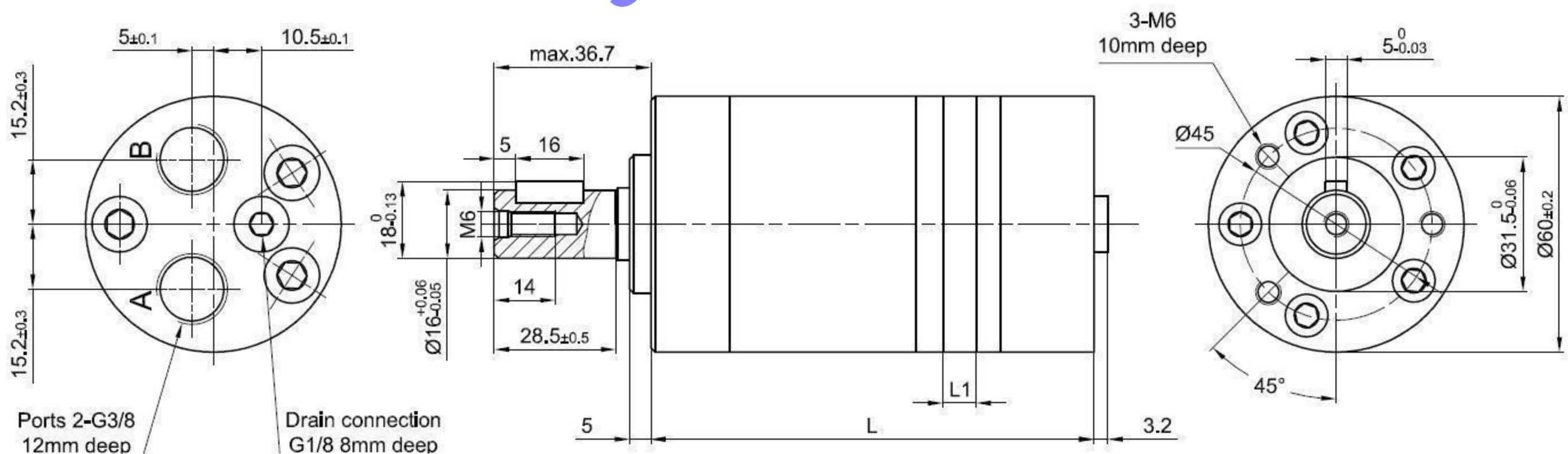
### BMM-x-F-A-1E

HPM Model	Danfoss Model	M+S Model	L mm	L1 mm
BMM-8FA1E	151G-0040+ 151G0211	EPMM-F-8CM**	107.5	3.5
BMM-12.5FA1E	151G-0001+ 151G0211	EPMM-F-12.5CM**	109.5	5.5
BMM-20FA1E	151G-0002+ 151G0211	EPMM-F-20CM**	112.5	8.5
BMM-32FA1E	151G-0003+ 151G0211	EPMM-F-32CM**	117.5	13.5
BMM-40FA1E	151G-0277+ 151G0211	EPMM-F-40CM**	121	17
BMM-50FA1E	151G-0037+ 151G0211	EPMM-F-50CM**	125.5	21.5



### BMM-x-M-A-1E

HPM Model	Danfoss Model	M+S Model	L mm	L1 mm
BMM-8MA1E	151G-0040	EPMM-8CM**	104	3.5
BMM-12.5MA1E	151G-0001	EPMM-12.5CM**	106	5.5
BMM-20MA1E	151G-0002	EPMM-20CM**	109	8.5
BMM-32MA1E	151G-0003	EPMM-32CM**	114	13.5
BMM-40MA1E	151G-0277	EPMM-40CM**	117.5	17
BMM-50MA1E	151G-0037	EPMM-50CM**	122	21.5





# BMM Series hydraulic orbit motor

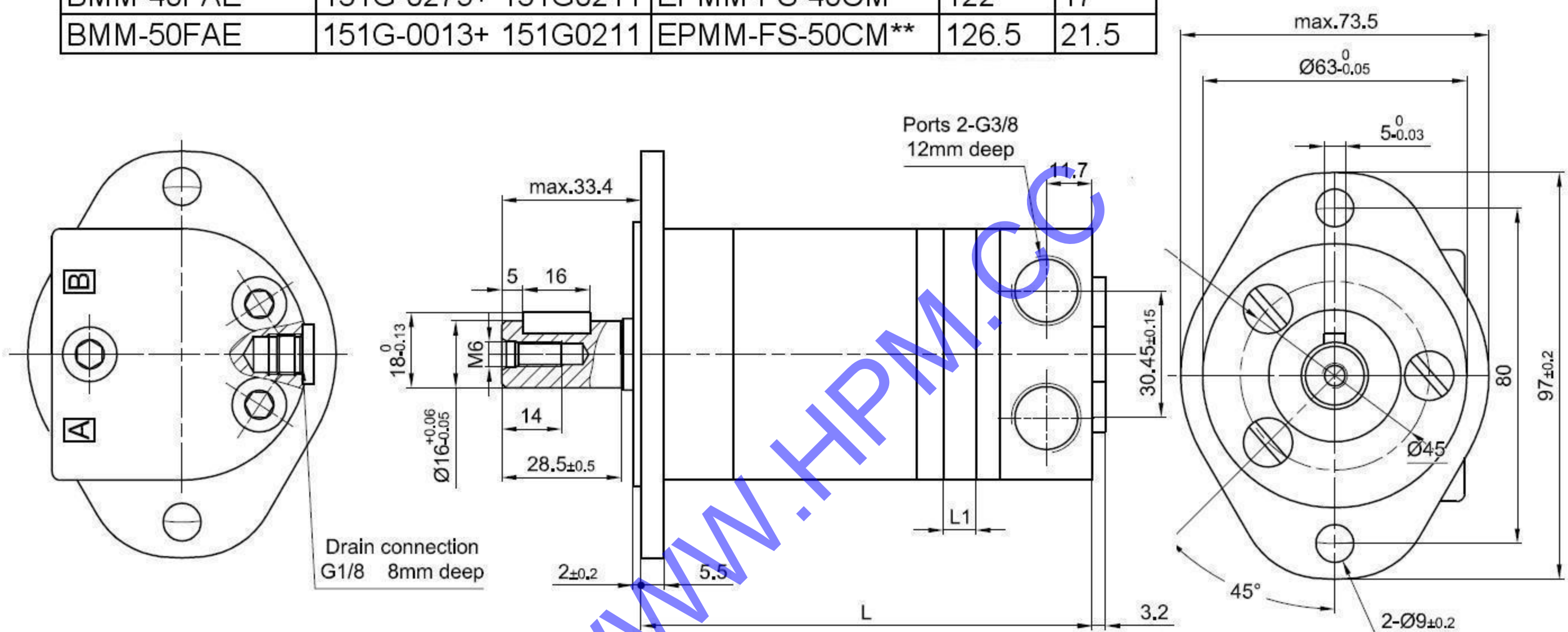


Replace with Danfoss OMM Series, M+S EPMM/MLHM Series, Eaton J Series

## Popular model drawing

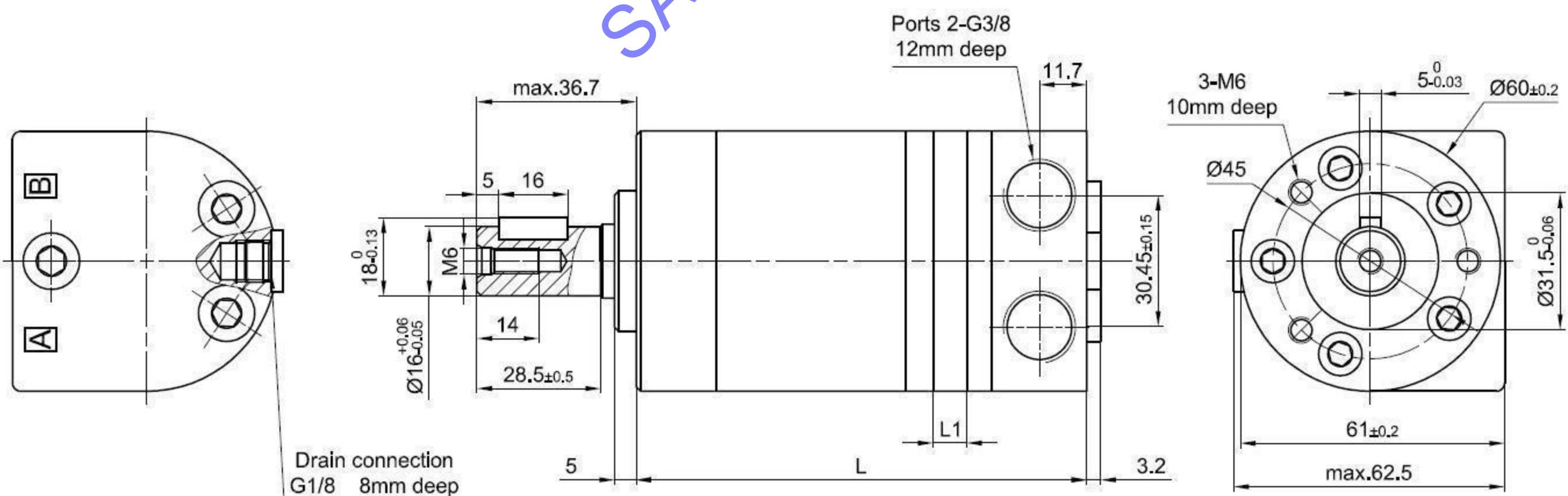
### BMM-x-F-A-E

HPM Model	Danfoss Model	M+S Model	L mm	L1 mm
BMM-8FAE	151G-0041+ 151G0211	EPMM-FS-8CM**	108.5	3.5
BMM-12.5FAE	151G-0004+ 151G0211	EPMM-FS-12.5CM**	110.5	5.5
BMM-20FAE	151G-0005+ 151G0211	EPMM-FS-20CM**	113.5	8.5
BMM-32FAE	151G-0006+ 151G0211	EPMM-FS-32CM**	118.5	13.5
BMM-40FAE	151G-0279+ 151G0211	EPMM-FS-40CM**	122	17
BMM-50FAE	151G-0013+ 151G0211	EPMM-FS-50CM**	126.5	21.5



### BMM-x-M-A-E

HPM Model	Danfoss Model	M+S Model	L mm	L1 mm
BMM-8MAE	151G-0041	EPMM-S-8CM**	105	3.5
BMM-12.5MAE	151G-0004	EPMM-S-12.5CM**	107	5.5
BMM-20MAE	151G-0005	EPMM-S-20CM**	110	8.5
BMM-32MAE	151G-0006	EPMM-S-32CM**	115	13.5
BMM-40MAE	151G-0279	EPMM-S-40CM**	118.5	17
BMM-50MAE	151G-0013	EPMM-S-50CM**	123	21.5



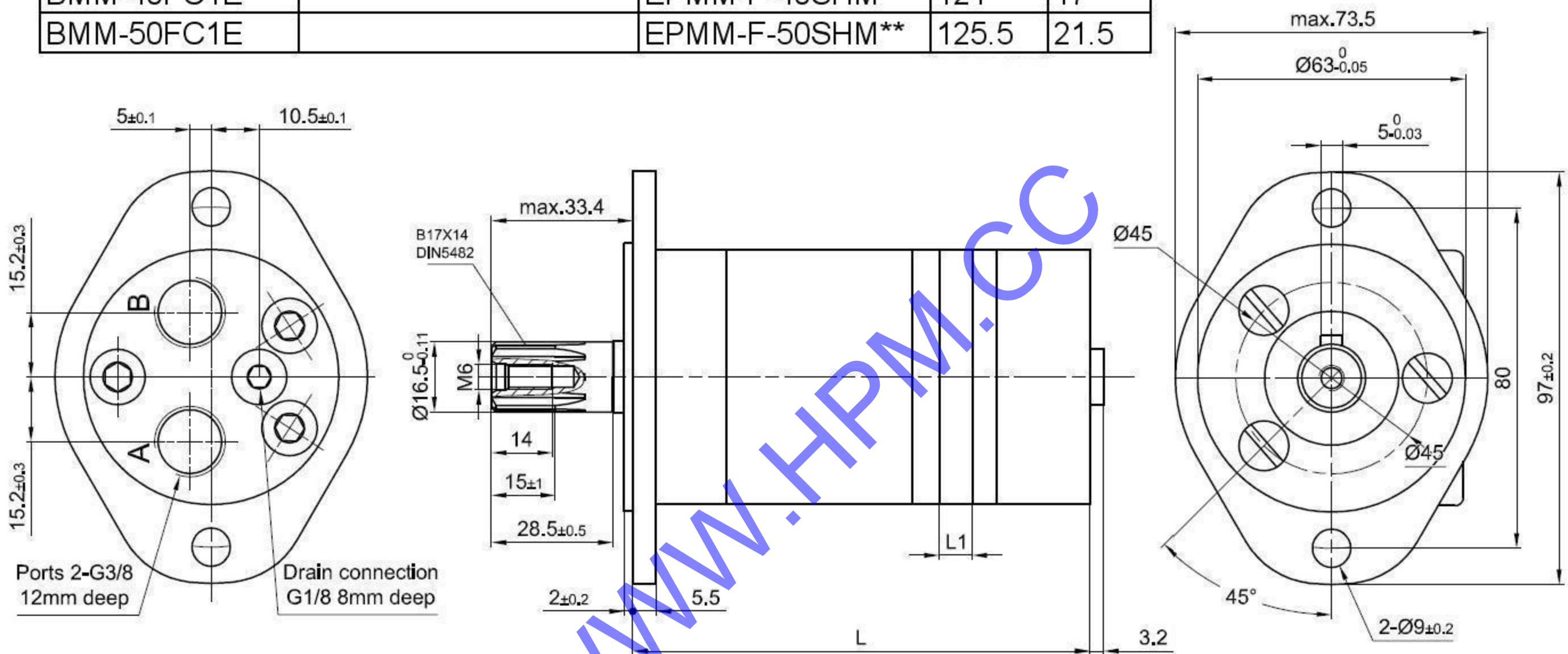


Replace with Danfoss OMM Series, M+S EPMM/MLHM Series, Eaton J Series

## Popular model drawing

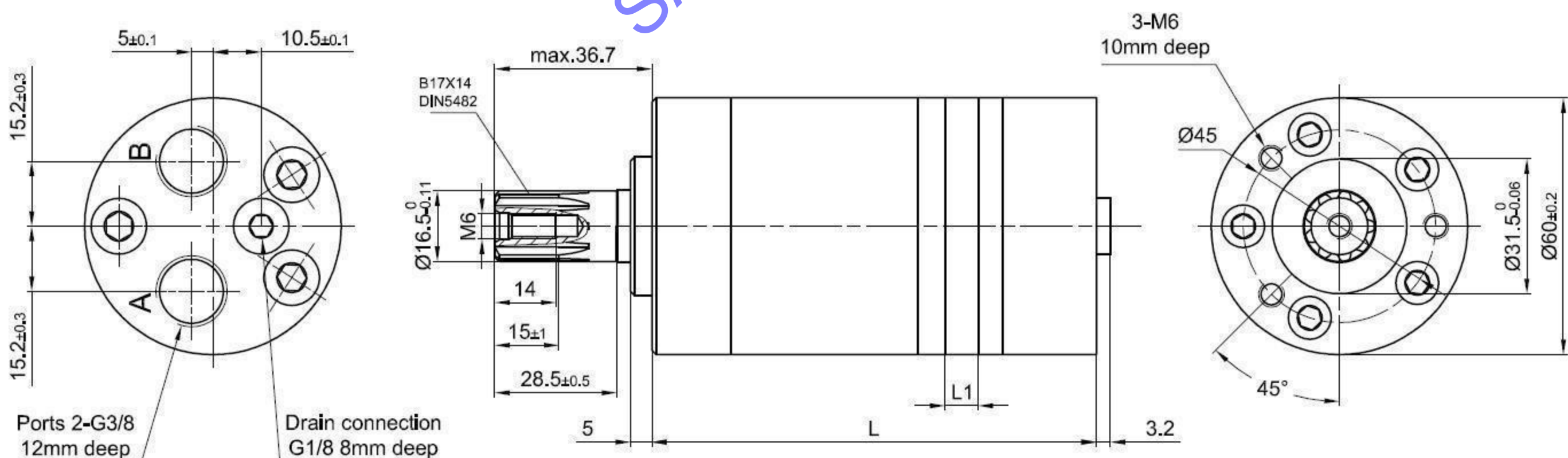
### BMM-x-FC1E

HPM Model	Danfoss Model	M+S Model	L mm	L1 mm
BMM-8FC1E	151G-0046+ 151G0211	EPMM-F-8SHM**	107.5	3.5
BMM-12.5FC1E	151G-0024+ 151G0211	EPMM-F12.5SHM**	109.5	5.5
BMM-20FC1E	151G-0025+ 151G0211	EPMM-F-20SHM**	112.5	8.5
BMM-32FC1E	151G-0026+ 151G0211	EPMM-F-32SHM**	117.5	13.5
BMM-40FC1E		EPMM-F-40SHM**	121	17
BMM-50FC1E		EPMM-F-50SHM**	125.5	21.5



### BMM-x-MC1E

HPM Model	Danfoss Model	M+S Model	L mm	L1 mm
BMM-8MC1E	151G-0046	EPMM-8SHM**	104	3.5
BMM-12.5MC1E	151G-0024	EPMM-12.5SHM**	106	5.5
BMM-20MC1E	151G-0025	EPMM-20SHM**	109	8.5
BMM-32MC1E	151G-0026	EPMM-32SHM**	114	13.5
BMM-40MC1E		EPMM-40SHM**	117.5	17
BMM-50MC1E		EPMM-50SHM**	122	21.5





# BMM Series hydraulic orbit motor

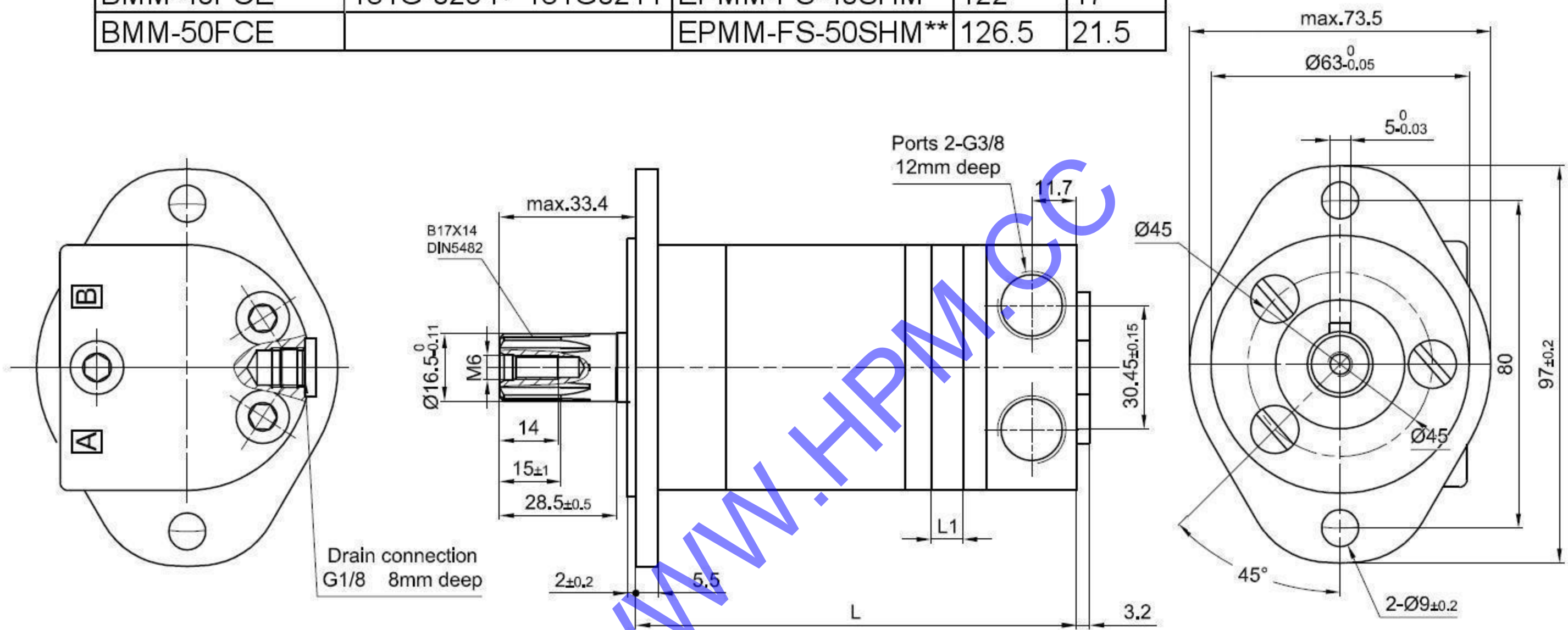


Replace with Danfoss OMM Series, M+S EPMM/MLHM Series, Eaton J Series

## Popular model drawing

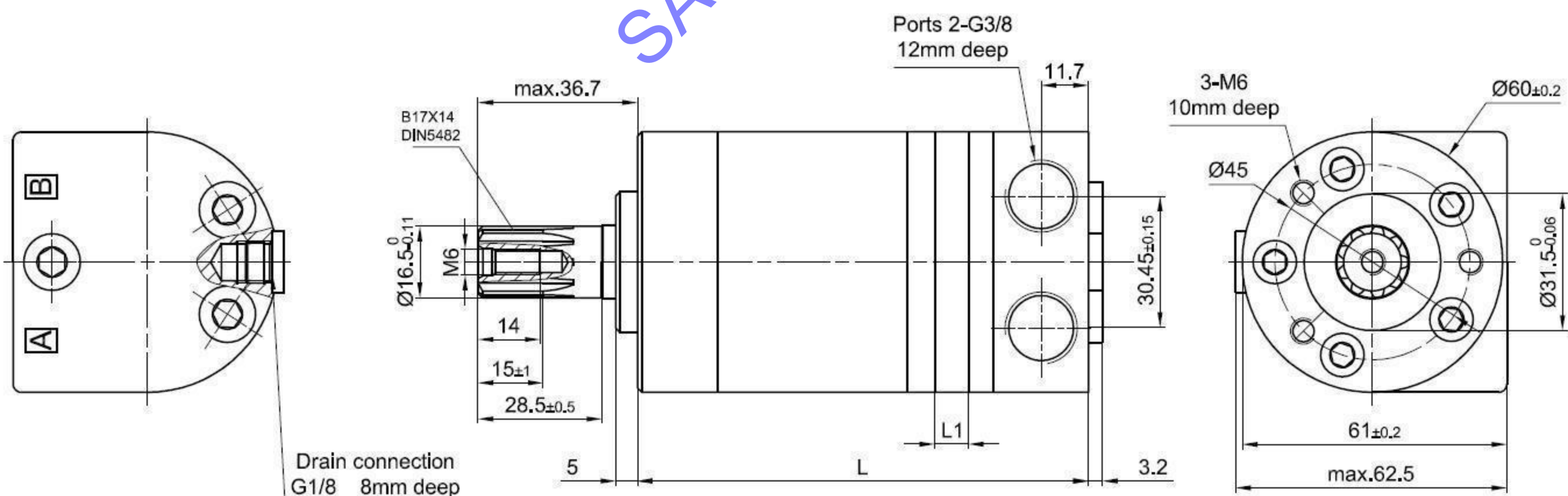
### BMM-x-FCE

HPM Model	Danfoss Model	M+S Model	L mm	L1 mm
BMM-8FCE	151G-0047+ 151G0211	EPMM-FS-8SHM**	108.5	3.5
BMM-12.5FCE	151G-0027+ 151G0211	EPMM-FS12.5SHM*	110.5	5.5
BMM-20FCE	151G-0028+ 151G0211	EPMM-FS-20SHM**	113.5	8.5
BMM-32FCE	151G-0029+ 151G0211	EPMM-FS-32SHM**	118.5	13.5
BMM-40FCE	151G-0294+ 151G0211	EPMM-FS-40SHM**	122	17
BMM-50FCE		EPMM-FS-50SHM**	126.5	21.5



### BMM-x-MCE

HPM Model	Danfoss Model	M+S Model	L mm	L1 mm
BMM-8MCE	151G-0047	EPMM-S-8SHM**	105	3.5
BMM-12.5MCE	151G-0027	EPMM-S-12.5SHM**	107	5.5
BMM-20MCE	151G-0028	EPMM-S-20SHM**	110	8.5
BMM-32MCE	151G-0029	EPMM-S-32SHM**	115	13.5
BMM-40MCE	151G-0294	EPMM-S-40SHM**	118.5	17
BMM-50MCE		EPMM-S-50SHM**	123	21.5



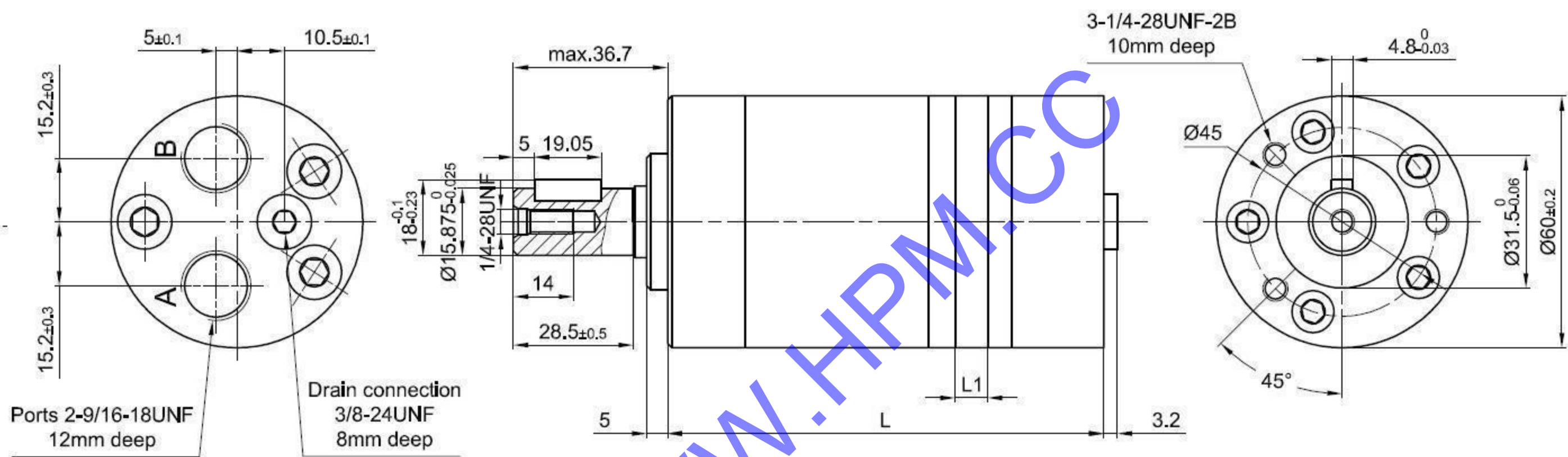


Replace with Danfoss OMM Series, M+S EPMM/MLHM Series, Eaton J Series

## Popular model drawing

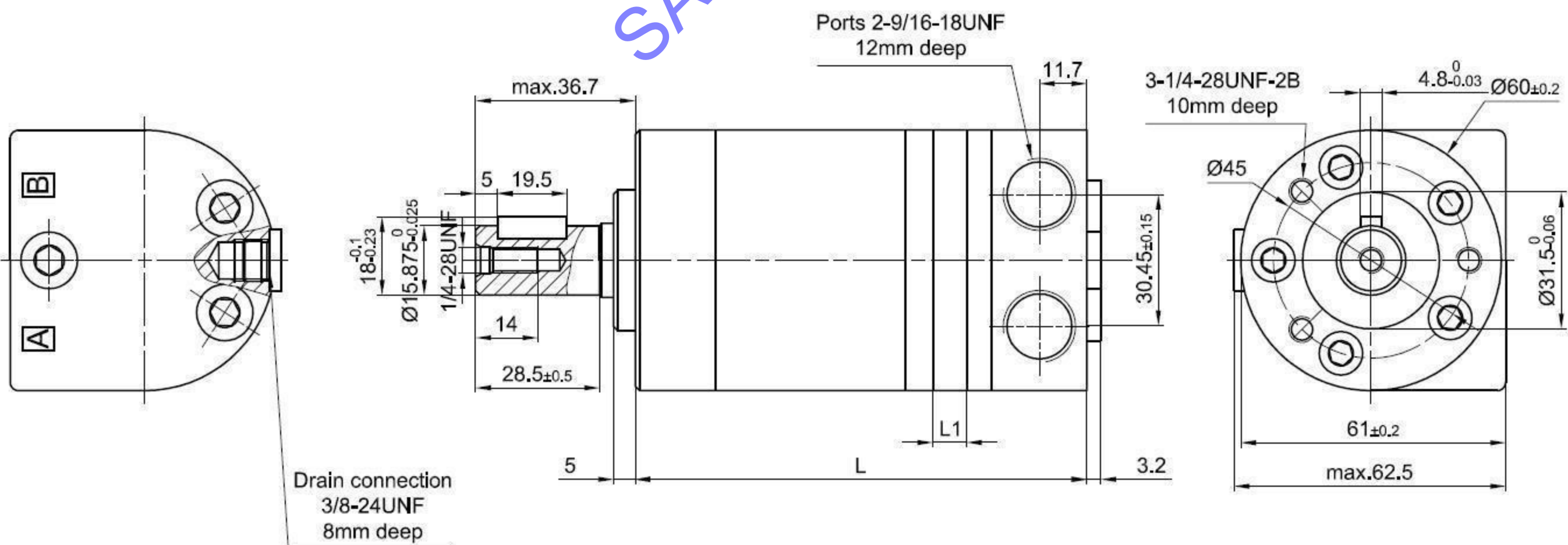
### BMM-x-UB1U

HPM Model	Danfoss Model	M+S Model	L mm	L1 mm
BMM-8UB1U	151G-0048	MLHM-8C7**	104	3.5
BMM-12.5UB1U	151G-0031	MLHM-12.5C7**	106	5.5
BMM-20UB1U	151G-0032	MLHM-20SC7**	109	8.5
BMM-32UB1U	151G-0033	MLHM-32SC7**	114	13.5
BMM-40UB1U		MLHM-40SC7**	117.5	17
BMM-50UB1U	151G-5032	MLHM-50SC7**	122	21.5



### BMM-x-UBU

HPM Model	Danfoss Model	M+S Model	L mm	L1 mm
BMM-8UBU	151G-0049	MLHM-8C4**	105	3.5
BMM-12.5UBU	151G-0034	MLHM-12.5C4**	107	5.5
BMM-20UBU	151G-0035	MLHM-20SC4**	110	8.5
BMM-32UBU	151G-0036	MLHM-32SC4**	115	13.5
BMM-40UBU		MLHM-40SC4**	118.5	17
BMM-50UBU	151G-0094	MLHM-50SC4**	123	21.5





# BMP Series hydraulic orbit motor



BMP-Replace with Danfoss OMP/DH Series, M+S EPM/MLHP Series

BMPH-Replace with Eaton H Series

BMPW-Wheel flange

## Parameters

Type		BMP BMPH -36	BMP BMPH -50	BMP BMPH -80	BMP BMPH -100	BMP BMPH -125	BMP BMPH -160	BMP BMPH -200	BMP BMPH -250	BMP BMPH -315	BMP BMPH -400	BMP BMPH -500
Displacement		36	51.7	77.7	96.2	120.2	157.2	194.5	240.3	314.5	389.5	486.5
Max. speed (rpm)	cont.	1500	1150	770	615	490	383	310	250	192	155	120
	int.	1650	1450	960	770	615	475	385	310	240	190	150
Max. torque (N·m)	cont.	55	100	146	182	236	302	360	380	375	360	385
	int.	76	128	186	227	290	370	440	460	555	525	560
	peak	96	148	218	264	360	434	540	550	650	680	680
Max. output (Kw)	cont.	8	10	10	11	10	10	10	8.5	7	6	5
	int.	11.5	12	12	13	12	12	12	10.5	8.5	7	6
Max. pressure drop (MPa)	cont.	12.5	14	14	14	14	14	14	11	9	7	6
	int.	16.5	17.5	17.5	17.5	17.5	17.5	17.5	14	14	10.5	9
	peak	22.5	22.5	22.5	22.5	22.5	22.5	22.5	18	16	14	12
Max. flow (L/min)	cont.	55	60	60	60	60	60	60	60	60	60	60
	int.	60	75	75	75	75	75	75	75	75	75	75
Weight(kg)		5.6	5.6	5.7	5.9	6	6.2	6.4	6.6	6.9	7.4	8

## Selection

1	2	3	4
Series	Displacement	Flange	Output shaft
BMP	50	Code 2: 2-Ø13.5 Rhomb-flange , pilot Ø82.5×8 Code 4: 4-Ø13.5 Rhomb-flange , pilot Ø82.5×8 Code H4: 4-3/8-16 Square-flange , pilot Ø44.4×2.8 Code H5: 4-M10 Square-flange , pilot Ø44.4×2.8	Code A: Shaft Dia Ø25 , Parallel key 8×7×32 Code B: Shaft Dia Ø32 , Parallel key 10×8×45 Code C: Shaft Dia Ø25.4 , Parallel key 6.35×6.35×31.75 Code R: Shaft Dia Ø25.4 Short shaft , Parallel key 6.35×6.35×31.75 Code E: Shaft Dia Ø25.4 , Splined tooth SAE 6B Code F: Shaft Dia Ø31.75 Short shaft , Splined tooth 14-DP12/24 Code FD: Shaft Dia Ø31.75 Long shaft , Splined tooth 14-DP12/24 Code T: Cone shaft Dia Ø 28.56 , Parallel key 5×5×14 Code T3: Cone shaft Dia Ø31.75 , Parallel key 7.96×7.96×25.4
	80		
	100		
	125		
	160		
	200		
	250		
	315		
400			
5	6	7	8
Port and drain port	Rotation direction	Paint	Unusually function
Code D: G1/2 Manifold mount 4*M8,G1/4 Code M: M22*1.5 Manifold mount 4*M8,M14*1.5 Code S: 7/8-14 O-ring Manifold 4*5/16-18UNC,7/16-20UNF Code P: 1/2-14NPTF Manifold 4*5/16-18UNC,7/16-20UNF Code R: PT(RC) 1/2 Manifold 4*M8,PT(Rc)1/4	Omit: Standard Code R: Opposite	Omit:Blue Code 00: No paint Code B:Black Code S:Silver Grey	Omit:Standard Code 0:No case drain Code N:Big radial force Code F:Free running Code LS:Low speed



## Selection

1	2	3	4
Series	Displacement	Flange	Output shaft
<b>BMPH</b>	50	<b>Code H2:</b> 2-Ø13.5 Rhomb-flange , pilot Ø82.5×2.8 <b>Code:H4:</b> 4-3/8-16 Square-flange , pilot Ø44.4×2.8 <b>Code H5:</b> 4-M10 Square-flange , pilot Ø44.4×2.8 <b>Code H6:</b> 4-Ø13.5 Rhomb-flange , pilot Ø82.5×2.8	<b>Code A:</b> Shaft Dia Ø25 , Parallel key 8×7×32 <b>Code D:</b> Shaft Dia Ø22.22 ,Parallel key 6.35×6.35×25.4 <b>Code H:</b> Shaft Dia Ø25.4, pin hole Ø10.3 <b>Code I:</b> Shaft Dia Ø22.22, splined tooth 13-DP16/32 <b>Code J:</b> Shaft Dia Ø25 ,Parallel key 7×7×32 <b>Code K:</b> Shaft Dia Ø25.4, woodruff key Ø25.4×6.35 <b>Code P:</b> Shaft Dia Ø25 ,Parallel key 8×7×28 <b>Code S:</b> Shaft Dia Ø25.4 , splined tooth SAE 6B <b>Code T2:</b> Cone shaft Dia Ø25.4 , woodruff key Ø25.4×6.35
	80		
	100		
	125		
	160		
	200		
	250		
	315		
	400		
5	6	7	8
Port and drain port	Rotation direction	Paint	Unusually function
<b>Code G:</b> G1/2, G1/4 <b>Code S :</b> 7/8-14 O-ring ,7/16-20UNF <b>Code P:</b> 1/2-14 NPTF, 7/16-20UNF <b>Code T:</b> 3/4-16 O-ring, 7/16-20UNF <b>Code R:</b> PT(RC) 1/2 Manifold 4*M8,PT(Rc)1/4 <b>Code B4:</b> Ø10 O-ring manifold 4x5/16-18UNC,7/16-20UNF <b>Code B5:</b> Ø10 O-ring manifold 4xM8,7/16-20UNF	<b>Omit:</b> Standard <b>Code R:</b> Opposite	<b>Omit:</b> Blue <b>Code 00:</b> No paint <b>Code B:</b> Black <b>Code S:</b> Silver Grey	<b>Omit:</b> Standard <b>Code 0:</b> No case drain <b>Code N:</b> Big radial force <b>Code F:</b> Free running <b>Code LS:</b> Low speed

## Selection

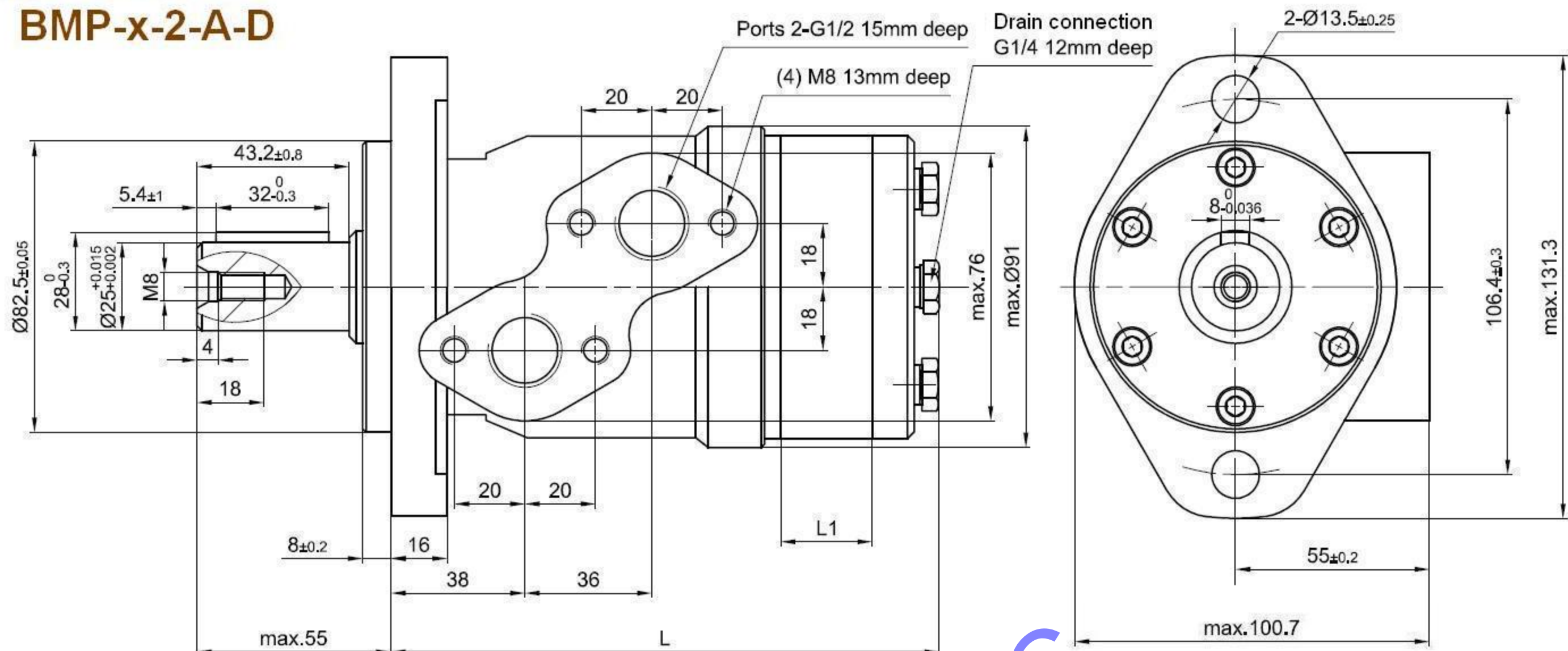
1	2	3	4
Series	Displacement	Flange	Output shaft
<b>BMPW</b>	50	<b>Omit:</b> Wheel-flange pilot Ø80×7.5	<b>Code A:</b> Shaft Dia Ø25 , Parallel key 8×7×32 <b>Code C:</b> Shaft Dia Ø25.4 , Parallel key 6.35×6.35×31.75 <b>Code E:</b> Shaft Dia Ø25.4,Splined key SAE 6B <b>Code T:</b> Shaft Dia Ø28.56 Cone shaft , Parallel key 5×5×14
	80		
	100		
	125		
	160		
	200		
	250		
	315		
	400		
5	6	7	8
Port and drain port	Rotation direction	Paint	Unusually function
<b>Code G:</b> G1/2, G1/4 <b>Code S :</b> 7/8-14 O-ring ,7/16-20UNF <b>Code M :</b> M22*1.5 ,M14*1.5	<b>Omit:</b> Standard <b>Code R:</b> Opposite	<b>Omit:</b> Blue <b>Code 00:</b> No paint <b>Code B:</b> Black <b>Code S:</b> Silver Grey	<b>Omit:</b> Standard <b>Code 0:</b> No case drain <b>Code N:</b> Big radial force



# BMP Series hydraulic orbit motor

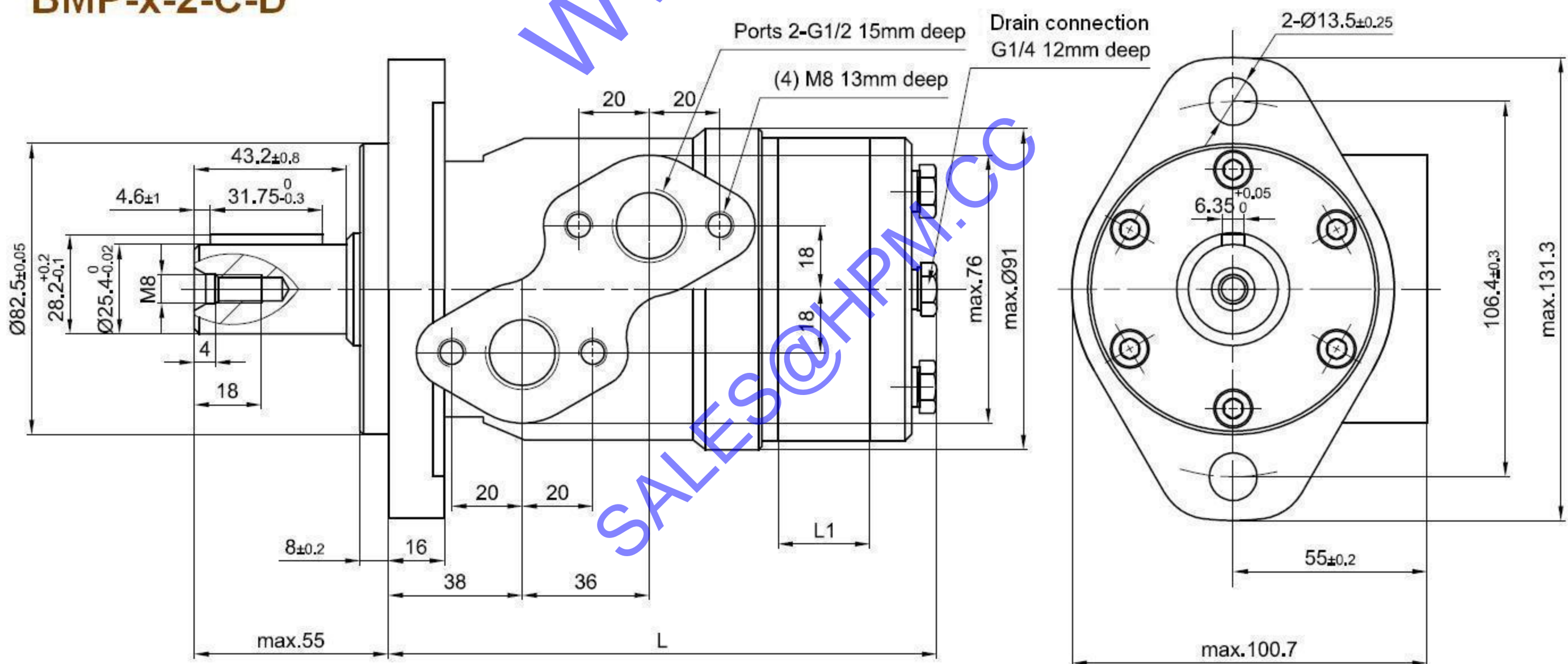
## Popular model drawing

### BMP-x-2-A-D



HPM Model	Danfoss Model	Danfoss Model	M+S Model	L mm	L1 mm
BMP-32-2AD**	151-0641	151-0341	EPM-32CD**	137	7
BMP-50-2AD**	151-0610	151-0310	EPM-50CD**	137	7
BMP-80-2AD**	151-0611	151-0311	EPM-80CD**	140.5	10.5
BMP-100-2AD**	151-0612	151-0312	EPM-100CD**	143	13
BMP-125-2AD**	151-0613	151-0313	EPM-125CD**	146	16
BMP-160-2AD**	151-0614	151-0314	EPM-160CD**	151	21
BMP-200-2AD**	151-0615	151-0315	EPM-200CD**	157	26
BMP-250-2AD**	151-0616	151-0316	EPM-250CD**	162	32
BMP-315-2AD**	151-0617	151-0317	EPM-315CD**	172	42
BMP-400-2AD**	151-0618	151-0318	EPM-400CD**	182	52

### BMP-x-2-C-D



HPM Model	Danfoss Model	Danfoss Model	M+S Model	L mm	L1 mm
BMP-50-2CD**	151-0600	151-0300	EPM-50COD**	137	7
BMP-80-2CD**	151-0601	151-0301	EPM-80COD**	140.5	10.5
BMP-100-2CD**	151-0602	151-0302	EPM-100COD**	143	13
BMP-125-2CD**	151-0603	151-0303	EPM-125COD**	146	16
BMP-160-2CD**	151-0604	151-0304	EPM-160COD**	151	21
BMP-200-2CD**	151-0605	151-0305	EPM-200COD**	157	26
BMP-250-2CD**	151-0606	151-0306	EPM-250COD**	162	32
BMP-315-2CD**	151-0607	151-0307	EPM-315COD**	172	42
BMP-400-2CD**	151-0608	151-0308	EPM-400COD**	182	52

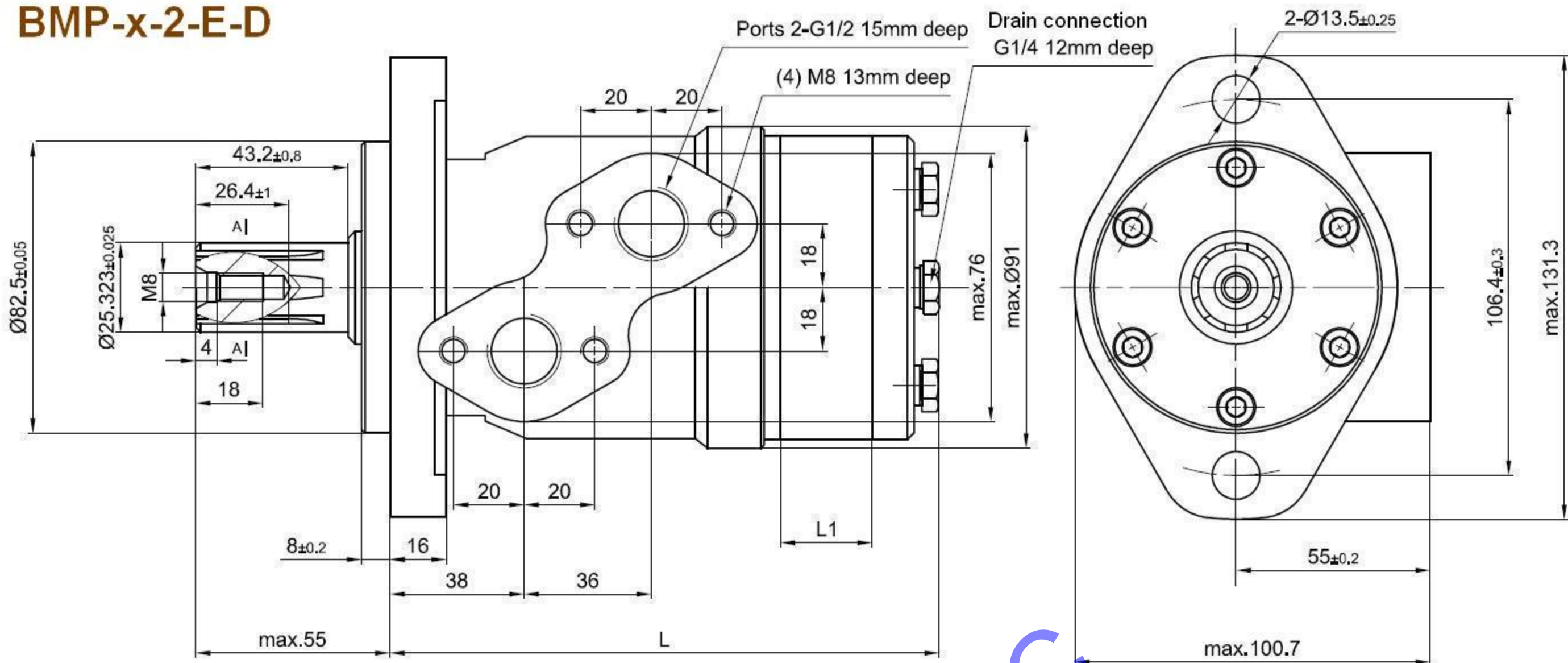


# BMP Series hydraulic orbit motor



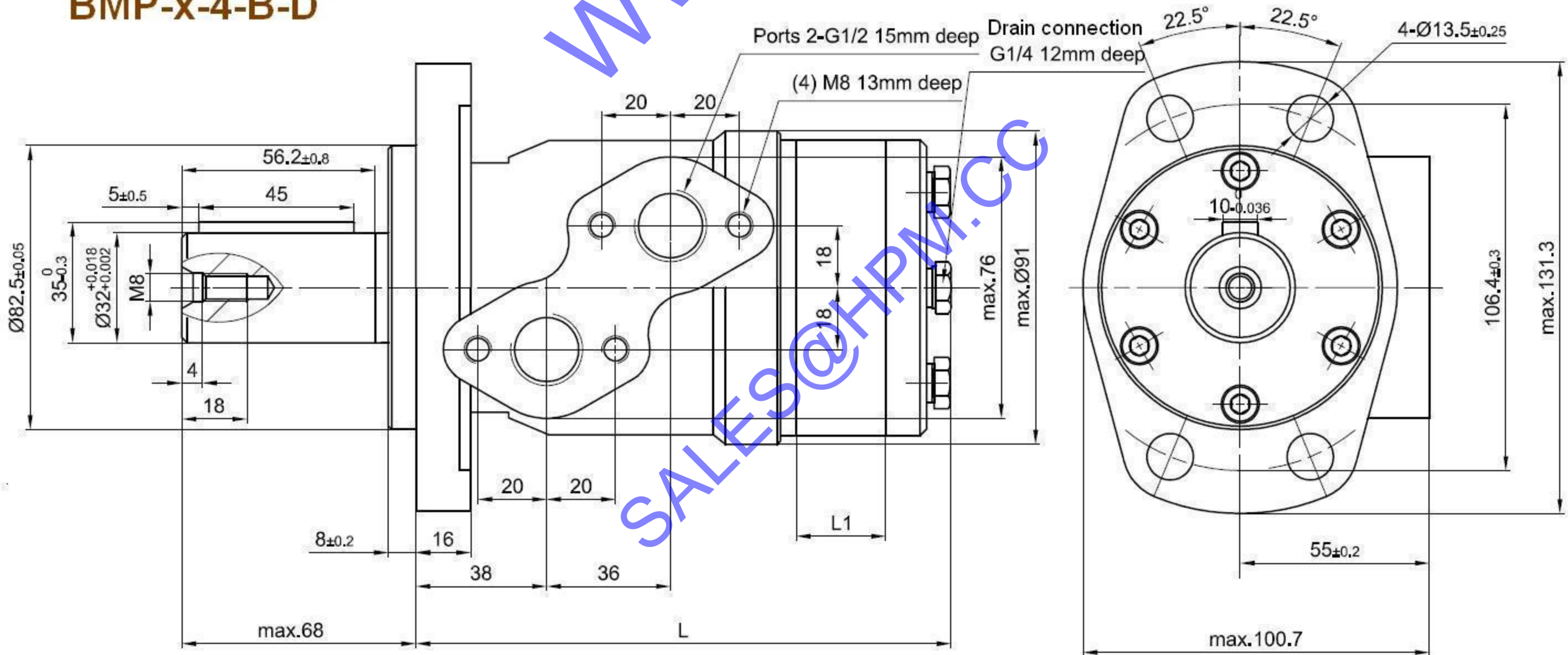
## Popular model drawing

### BMP-x-2-E-D



HPM Model	Danfoss Model	Danfoss Model	M+S Model	L mm	L1 mm
BMP-50-2ED**	151-0630	151-0330	EPM-50SHD**	137	7
BMP-80-2ED**	151-0631	151-0331	EPM-80SHD**	140.5	10.5
BMP-100-2ED**	151-0632	151-0332	EPM-100SHD**	143	13
BMP-125-2ED**	151-0633	151-0333	EPM-125SHD**	146	16
BMP-160-2ED**	151-0634	151-0334	EPM-160SHD**	151	21
BMP-200-2ED**	151-0635	151-0335	EPM-200SHD**	157	26
BMP-250-2ED**	151-0636	151-0336	EPM-250SHD**	162	32
BMP-315-2ED**	151-0637	151-0337	EPM-315SHD**	172	42
BMP-400-2ED**	151-0638	151-0338	EPM-400SHD**	182	52

### BMP-x-4-B-D



HPM Model	Danfoss Model	M+S Model	L mm	L1 mm
BMP-50-4BD**	151-5001	EPM-F50CBD**	137	7
BMP-80-4BD**	151-5002	EPM-F80CBD**	140.5	10.5
BMP-100-4BD**	151-5003	EPM-F100CBD**	143	13
BMP-125-4BD**	151-5004	EPM-F125CBD**	146	16
BMP-160-4BD**	151-5005	EPM-F160CBD**	151	21
BMP-200-4BD**	151-5006	EPM-F200CBD**	157	26
BMP-250-4BD**	151-5007	EPM-F250CBD**	162	32
BMP-315-4BD**	151-5008	EPM-F315CBD**	172	42
BMP-400-4BD**	151-5009	EPM-F400CBD**	182	52

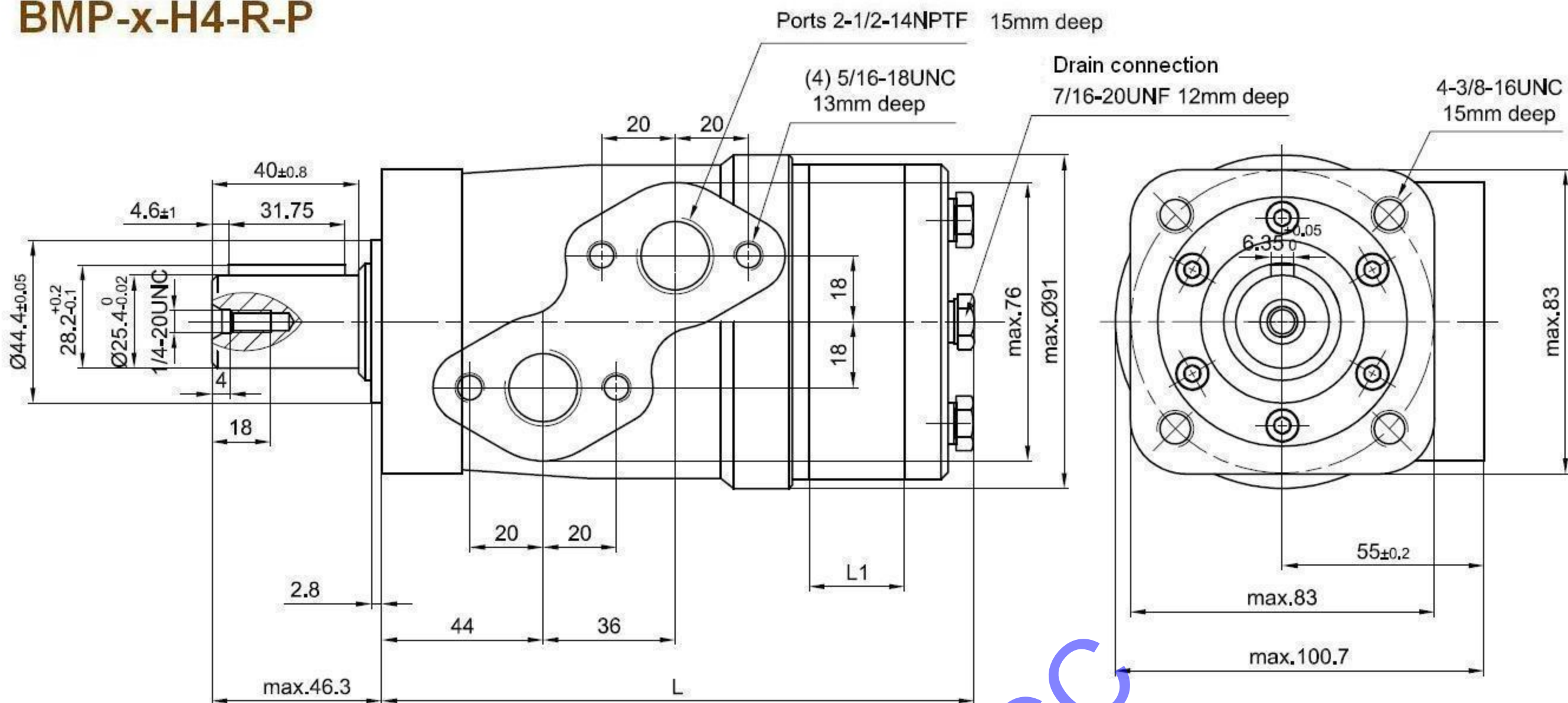


# BMP Series hydraulic orbit motor



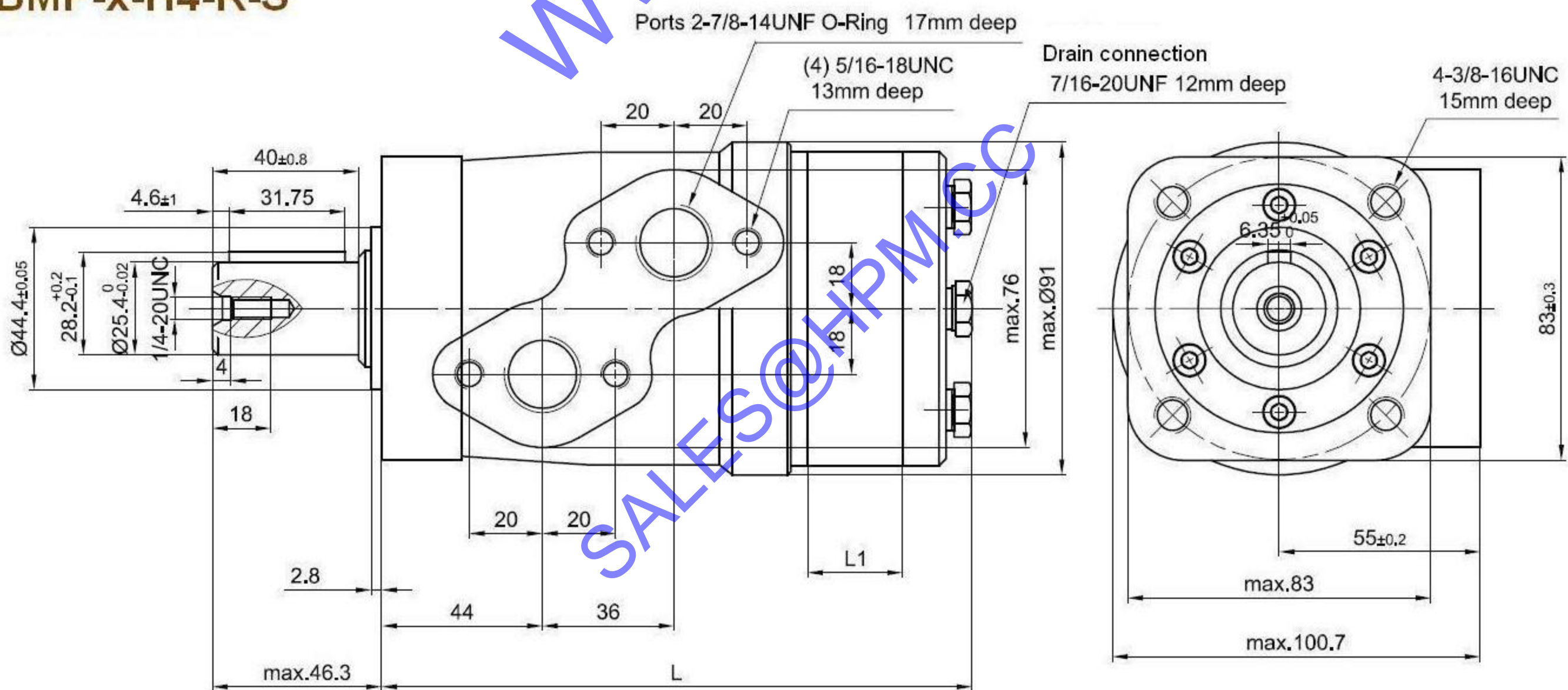
## Popular model drawing

### BMP-x-H4-R-P



HPM Model	Danfoss Model	M+S Model	L mm	L1 mm
BMP-50-H4-R-P**	151-7021	MLHP-Q50C5**	137	7
BMP-80-H4-R-P**	151-7022	MLHP-Q80C5**	140.5	10.5
BMP-100-H4-R-P**	151-7023	MLHP-Q100C5**	143	13
BMP-125-H4-R-P**	151-7024	MLHP-Q125C5**	146	16
BMP-160-H4-R-P**	151-7025	MLHP-Q160C5**	151	21
BMP-200-H4-R-P**	151-7026	MLHP-Q200C5**	157	26
BMP-250-H4-R-P**	151-7027	MLHP-Q250C5**	162	32
BMP-315-H4-R-P**	151-7028	MLHP-Q315C5**	172	42
BMP-400-H4-R-P**	151-7029	MLHP-Q400C5**	182	52

### BMP-x-H4-R-S



HPM Model	Danfoss Model	M+S Model	L mm	L1 mm
BMP-50-H4-R-S**	151-7061	MLHP-Q50C4**	137	7
BMP-80-H4-R-S**	151-7062	MLHP-Q80C4**	140.5	10.5
BMP-100-H4-R-S**	151-7063	MLHP-Q100C4**	143	13
BMP-125-H4-R-S**	151-7064	MLHP-Q125C4**	146	16
BMP-160-H4-R-S**	151-7065	MLHP-Q160C4**	151	21
BMP-200-H4-R-S**	151-7066	MLHP-Q200C4**	157	26
BMP-250-H4-R-S**	151-7067	MLHP-Q250C4**	162	32
BMP-315-H4-R-S**	151-7068	MLHP-Q315C4**	172	42
BMP-400-H4-R-S**	151-7069	MLHP-Q400C4**	182	52

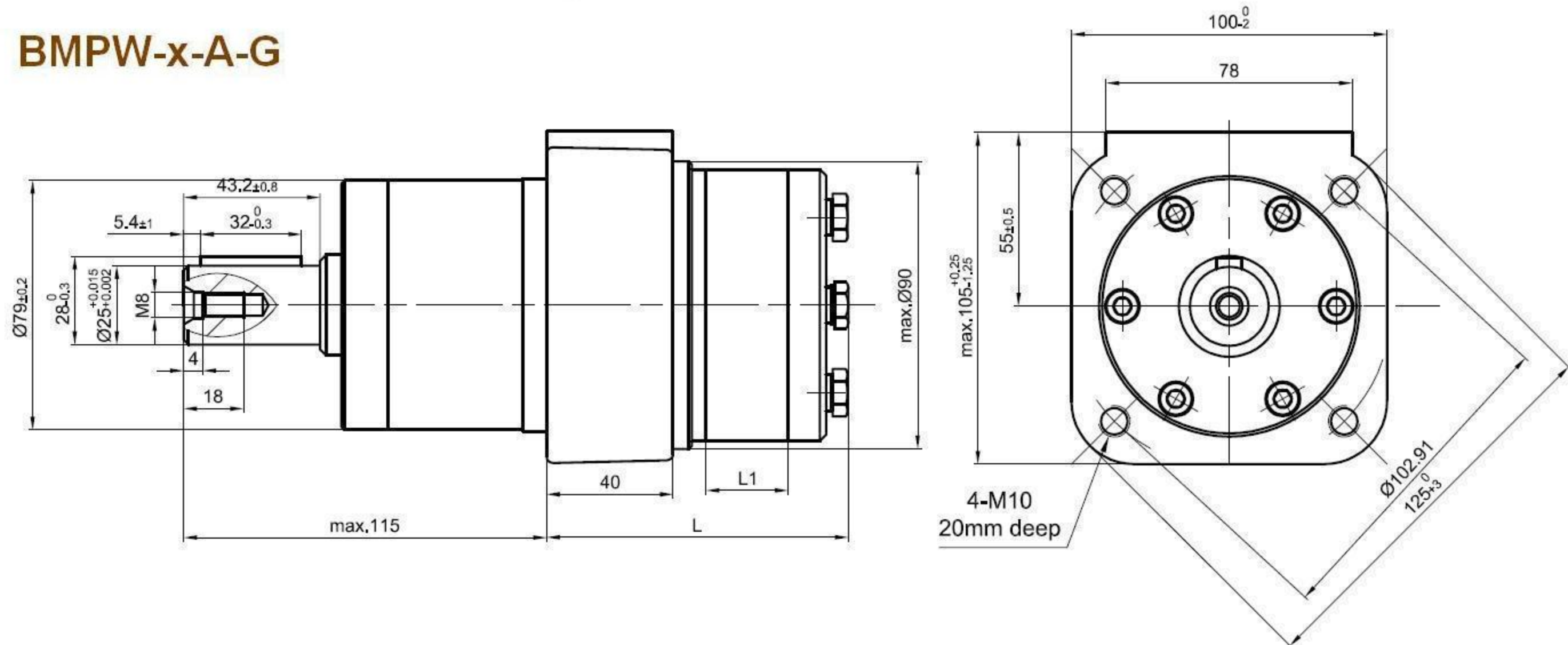


# BMP Series hydraulic orbit motor



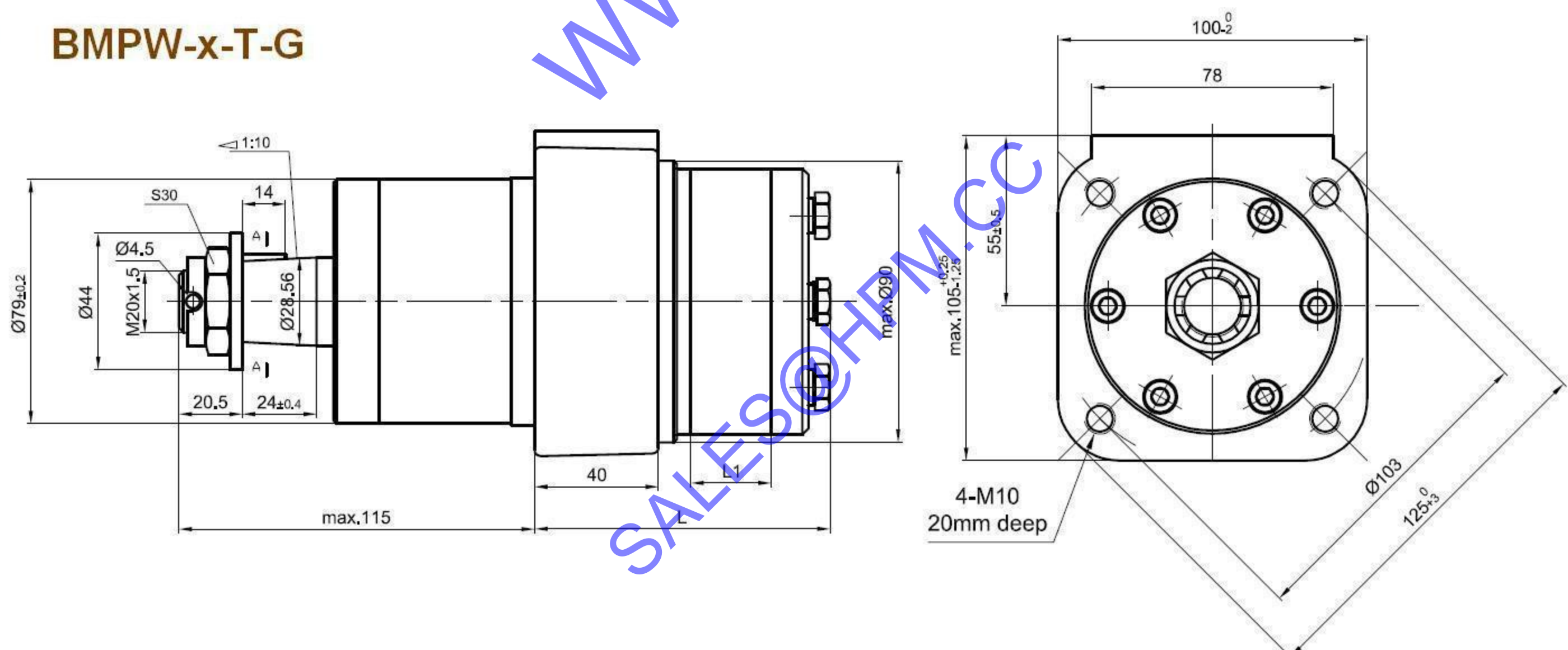
## Popular model drawing

### BMPW-x-A-G



HPM Model	Danfoss Model	M+S Model	L mm	L1 mm
BMPW-50-A-G**	151-7101	EPM-W50CD**	81	7
BMPW-80-A-G**	151-7102	EPM-W80CD**	84.5	10.5
BMPW-100-A-G**	151-7103	EPM-W100CD**	87	13
BMPW-125-A-G**	151-7104	EPM-W125CD**	90	16
BMPW-160-A-G**	151-7105	EPM-W160CD**	95	21
BMPW-200-A-G**	151-7106	EPM-W200CD**	100	26
BMPW-250-A-G**	151-7107	EPM-W250CD**	106	32
BMPW-315-A-G**	151-7108	EPM-W315CD**	116	42
BMPW-400-A-G**	151-7109	EPM-W400CD**	126	52
BMPW-500-A-G**		EPM-W500CD**	139	62

### BMPW-x-T-G



HPM Model	Danfoss Model	M+S Model	L mm	L1 mm
BMPW-50-T-G**	151-5301	EPM-W50KD**	81	7
BMPW-80-T-G**	151-5302	EPM-W80KD**	84.5	10.5
BMPW-100-T-G**	151-5303	EPM-W100KD**	87	13
BMPW-125-T-G**	151-5304	EPM-W125KD**	90	16
BMPW-160-T-G**	151-5305	EPM-W160KD**	95	21
BMPW-200-T-G**	151-5306	EPM-W200KD**	100	26
BMPW-250-T-G**	151-5307	EPM-W250KD**	106	32
BMPW-315-T-G**	151-5308	EPM-W315KD**	116	42
BMPW-400-T-G**	151-5309	EPM-W400KD**	126	52
BMPW-500-T-G**		EPM-W500KD**	139	62

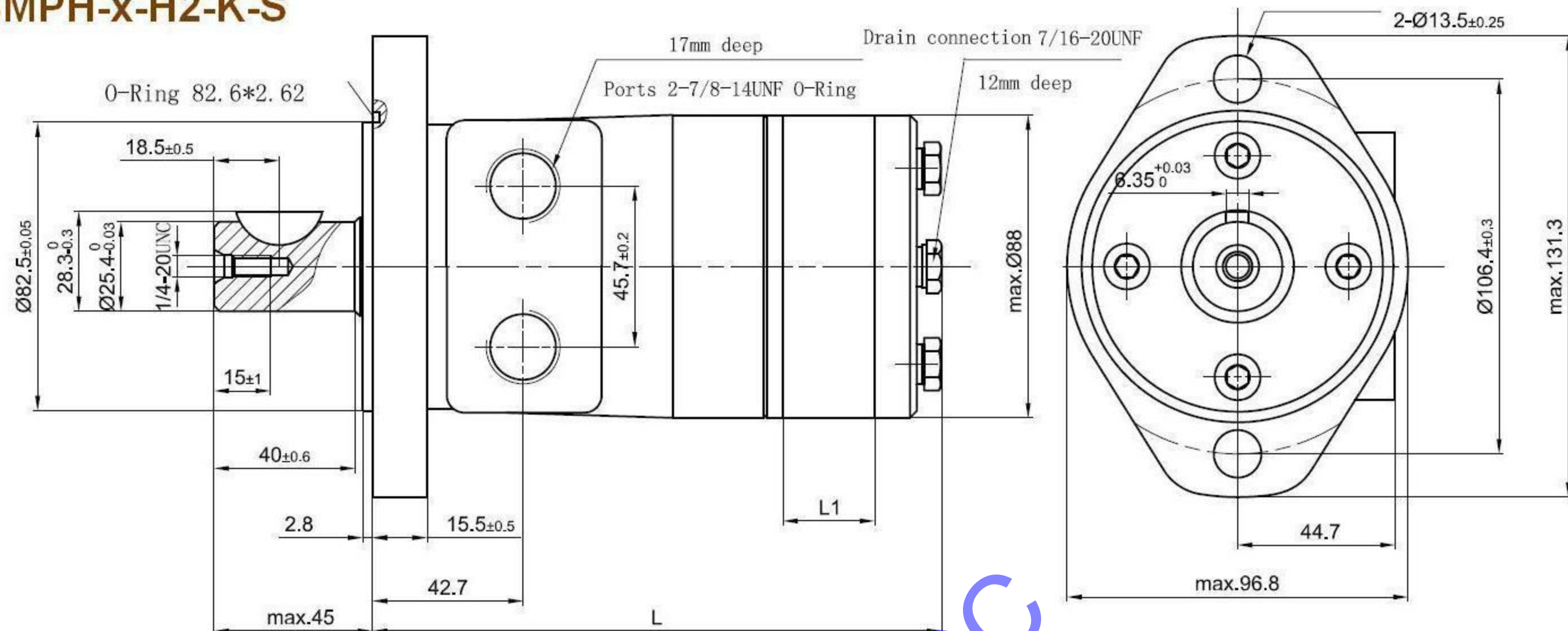


# BMP Series hydraulic orbit motor

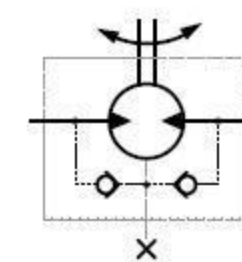


## Popular model drawing

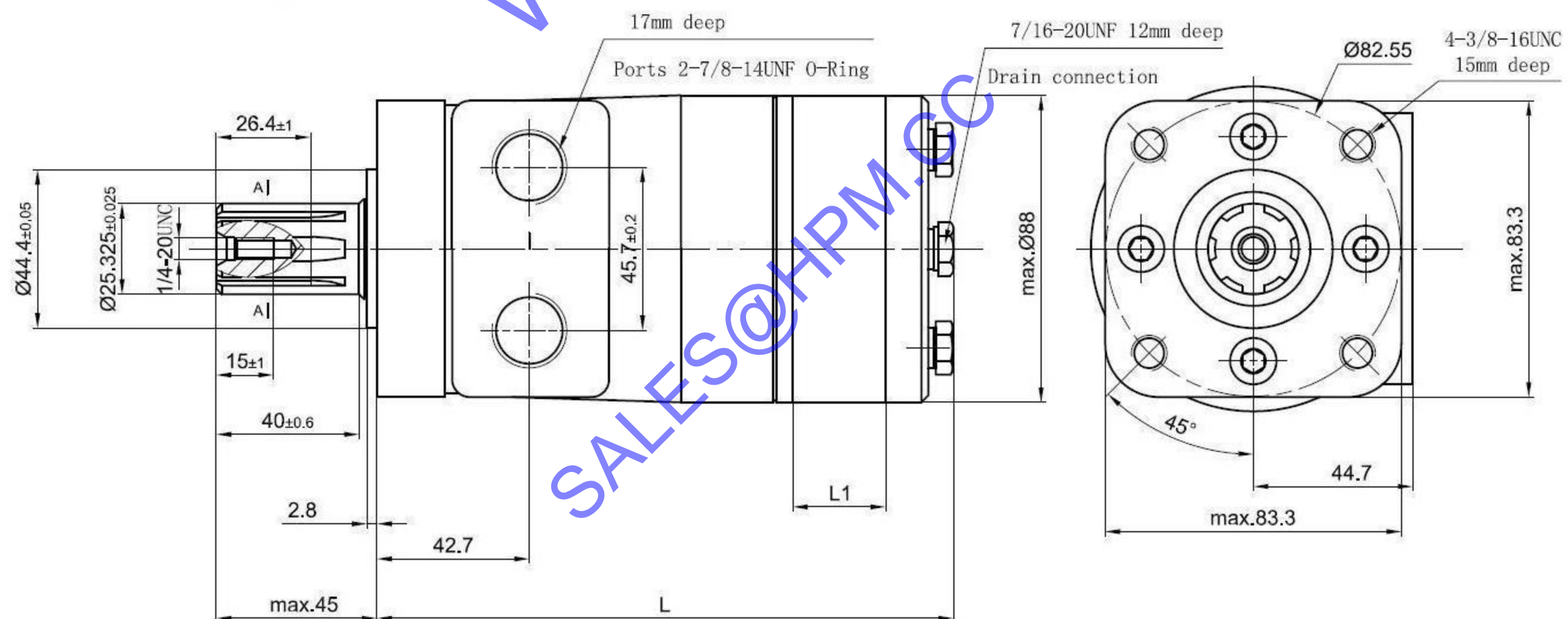
### BMPH-x-H2-K-S



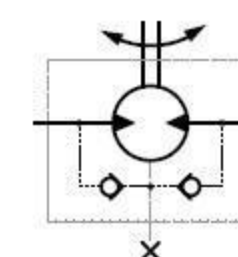
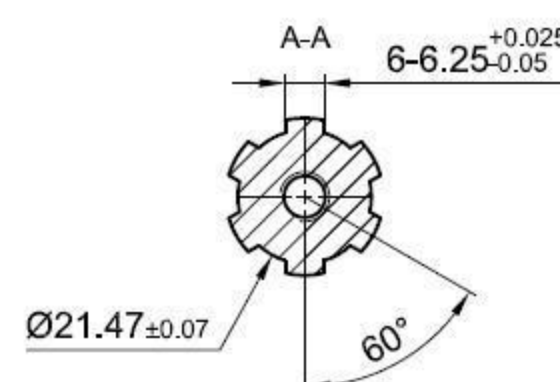
HPM Model	Eaton Model	L mm	L1 mm
BMPH-50-H2-K-S**	101-1033 (MH0028AA01AA)	137	7
BMPH-80-H2-K-S**	101-1034 (MH0045AA01AA)	140.5	10.5
BMPH-100-H2-K-S**	101-1035 (MH0059AA01AA)	143	13
BMPH-125-H2-K-S**	101-1702 (MH0073AA01AA)	146	16
BMPH-160-H2-K-S**	101-1036 (MH0097AA01AA)	151	21
BMPH-200-H2-K-S**	101-1037 (MH0113AA01AA)	157	26
BMPH-250-H2-K-S**	101-1038 (MH0141AA01AA)	162	32
BMPH-315-H2-K-S**	101-1039 (MH0179AA01AA)	172	42
BMPH-400-H2-K-S**	101-1040 (MH0226AA01AA)	182	52



### BMPH-x-H4-S-S



HPM Model	Eaton Model	L mm	L1 mm
BMPH-50-H4-S-S**	101-1057 (MH0028BA02AA)	137	7
BMPH-80-H4-S-S**	101-1058 (MH0045BA02AA)	140.5	10.5
BMPH-100-H4-S-S**	101-1059 (MH0059BA02AA)	143	13
BMPH-125-H4-S-S**	101-1872 (MH0073BA02AA)	146	16
BMPH-160-H4-S-S**	101-1060 (MH0097BA02AA)	151	21
BMPH-200-H4-S-S**	101-1061 (MH0113BA02AA)	157	26
BMPH-250-H4-S-S**	101-1062 (MH0141BA02AA)	162	32
BMPH-315-H4-S-S**	101-1063 (MH0179BA02AA)	172	42
BMPH-400-H4-S-S**	101-1064 (MH0226BA02AA)	182	52



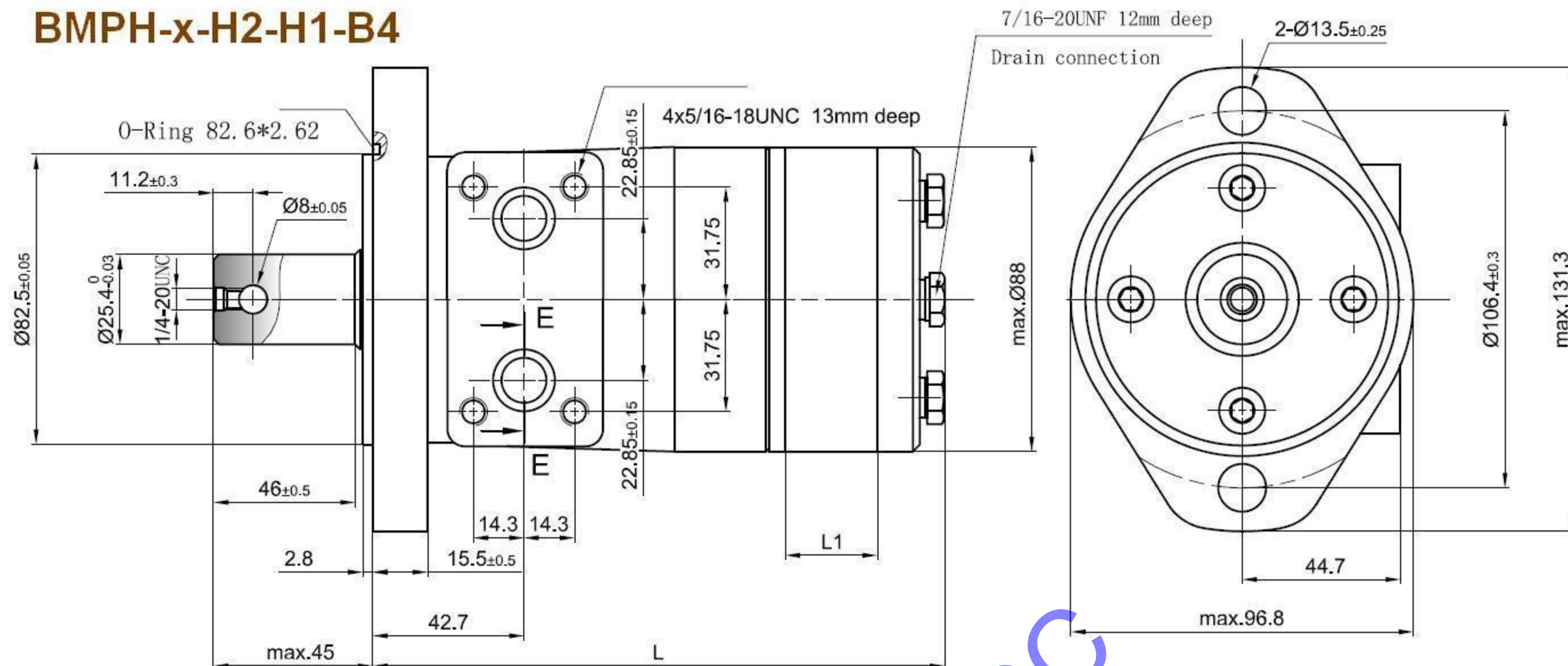


# BMP Series hydraulic orbit motor



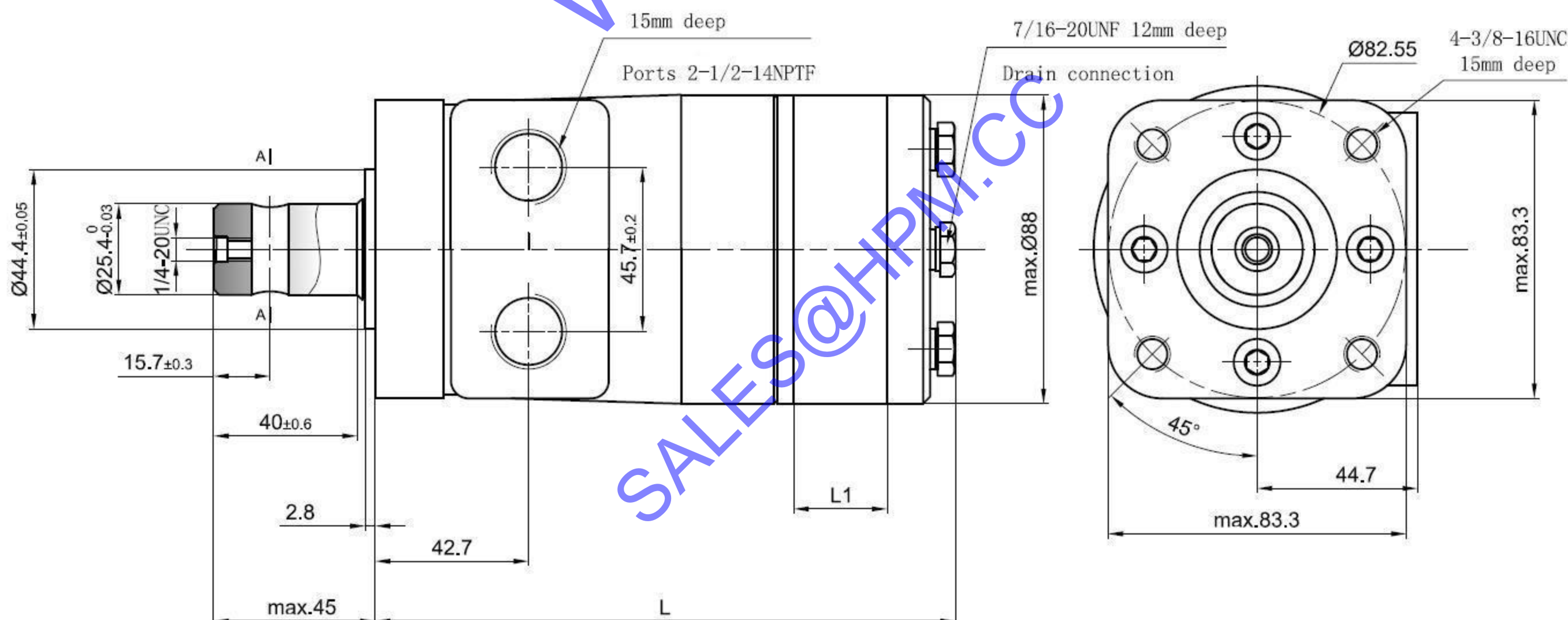
## Popular model drawing

### BMPH-x-H2-H1-B4

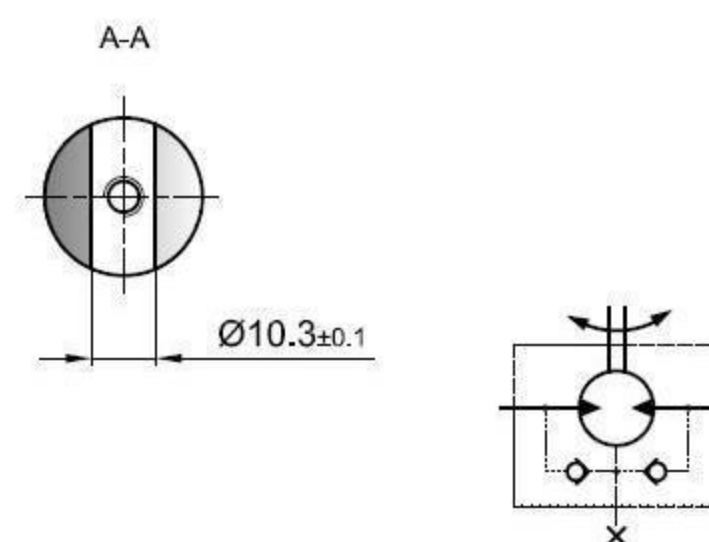


HPM Model	Eaton Model	L mm	L1 mm
BMPH-50-H2-H1-B4**	101-1812 (MH0028AA07AA)	137	7
BMPH-80-H2-H1-B4**	101-1814 (MH0045AA07AA)	140.5	10.5
BMPH-100-H2-H1-B4**	101-1815 (MH0059AA07AA)	143	13
BMPH-125-H2-H1-B4**	101-1816 (MH0073AA07AA)	146	16
BMPH-160-H2-H1-B4**	101-1818 (MH0097AA07AA)	151	21
BMPH-200-H2-H1-B4**	(MH0113AA07AA)	157	26
BMPH-250-H2-H1-B4**	(MH0141AA07AA)	162	32
BMPH-315-H2-H1-B4**	(MH0179AA07AA)	172	42
BMPH-400-H2-H1-B4**	(MH0226AA07AA)	182	52

### BMPH-x-H4-H-P



HPM Model	Eaton Model	L mm	L1 mm
BMPH-50-H4-H-P**	101-1313 (MH0028BA08AB)	137	7
BMPH-80-H4-H-P**	101-1312 (MH0045BA08AB)	140.5	10.5
BMPH-100-H4-H-P**	101-1314 (MH0059BA08AB)	143	13
BMPH-125-H4-H-P**	101-1863 (MH0073BA08AB)	146	16
BMPH-160-H4-H-P**	101-1315 (MH0097BA08AB)	151	21
BMPH-200-H4-H-P**	(MH0113BA08AB)	157	26
BMPH-250-H4-H-P**	(MH0141BA08AB)	162	32
BMPH-315-H4-H-P**	(MH0179BA08AB)	172	42
BMPH-400-H4-H-P**	(MH0226BA08AB)	182	52





# BMR Series hydraulic orbit motor



BMR-Replace with Danfoss OMR/DS Series, M+S EPRM/MLHR Series  
Parker TC/TB Series, White WR Series

BMRS-Replace with Eaton S Series

BMRW-Wheel mounting

## Parameters

Type		BMR	BMR	BMR	BMR	BMR	BMR	BMR	BMR	BMR	BMR
		BMRW	BMRW	BMRW	BMRW	BMRW	BMRW	BMRW	BMRW	BMRW	BMRW
		BMRS	BMRS	BMRS	BMRS	BMRS	BMRS	BMRS	BMRS	BMRS	BMRS
		-36	-50	-80	-100	-125	-160	-200	-250	-315	-375
Displacement		36	51.7	81.5	102	127.2	157.2	194.5	253.3	317.5	381.4
Max. speed (rpm)	cont.	1085	960	750	600	475	378	310	240	190	155
	int.	1220	1150	940	750	600	475	385	300	240	190
Max. torque (N•m)	cont.	72	100	195	240	300	360	360	390	390	365
	int.	83	126	220	280	340	430	440	490	535	495
	peak	105	165	270	320	370	460	560	640	650	680
Max. output (KW)	cont.	8.5	9.5	12.5	13	12.5	12.5	10	7	6	5
	int.	9.8	11.2	15	15	14.5	14	13	9.5	9	8
Max. pressure drop (Mpa)	cont.	14	14	17.5	17.5	17.5	16.5	13	11	9	7
	int.	16.5	17.5	20	20	20	20	17.5	15	13	10
	peak	22.5	22.5	22.5	22.5	22.5	22.5	22.5	20	17.5	15
Max. flow (L/min)	cont.	40	50	60	60	60	60	60	60	60	60
	int.	45	60	75	75	75	75	75	75	75	75
Weight(kg)		6.5	6.7	6.9	7	7.3	7.6	8	8.5	9	9.5

## Selection

1	2	3	4
Series	Displacement	Flange	Output shaft
BMR	50	Code 2: 2-Ø13.5 Rhomb-flange , pilot Ø82.5×8 Code:4: 4-Ø13.5 Rhomb-flange , pilot Ø82.5×8 Code H4: 4-3/8-16 Square-flange , pilot Ø44.4×2.8 Code H5: 4-M10 Square-flange , pilot Ø44.4×2.8 Code W: 4-Ø13.5 Wheel-flange, pilot Ø82.5×9.4	Code A: Shaft Dia Ø25 , Parallel key 8×7×32 Code B: Shaft Dia Ø32 , Parallel key 10×8×45 Code C: Shaft Dia Ø25.4 , Parallel key 6.35×6.35×31.75 Code R: Shaft Dia Ø25.4 Short shaft , Parallel key 6.35×6.35×31.75 Code E: Shaft Dia Ø25.4 , Splined tooth SAE 6B Code F: Shaft Dia Ø31.75 , Splined tooth 14-DP12/24 Code FD: Shaft Dia Ø31.75 Long shaft , Splined tooth 14-DP12/24 Code G: Shaft Dia Ø31.75, Parallel key 7.95×7.95×31.75 Code T: Cone Shaft Dia Ø 28.56 , Parallel key 5×5×14 Code T1: Cone Shaft Dia Ø 35, Parallel key 6×6×20
	80		
	100		
	125		
	160		
	200		
	250		
	315		
	375		



## Selection

5	6	7	8
<b>Port and drain port</b>	<b>Rotation direction</b>	<b>Paint</b>	<b>Unusually function</b>
<b>Code D:</b> G1/2 Manifold mount 4*M8,G1/4 <b>Code M :</b> M22*1.5 Manifold mount 4*M8,M14*1.5 <b>Code S:</b> 7/8-14 O-ring Manifold 4*5/16-18UNC,7/16-20UNF <b>Code P:</b> 1/2-14NPTF Manifold 4*5/16-18UNC,7/16-20UNF <b>Code R:</b> PT(Rc) 1/2 Manifold 4*M8,PT(Rc)1/4	<b>Omit:</b> Standard <b>Code R:</b> Opposite	<b>Omit:</b> Blue <b>Code 00:</b> No paint <b>Code B:</b> Black <b>Code S:</b> Silver Grey	<b>Omit:</b> Standard <b>Code 0:</b> No case drain <b>Code N:</b> Big radial force <b>Code F:</b> Free running <b>Code LS:</b> Low speed

## Selection

1	2	3	4
<b>Series</b>	<b>Displacement</b>	<b>Flange</b>	<b>Output shaft</b>
<b>BMRS</b>	50	<b>Code H2:</b> 2-Ø13.5 Rhomb-flange , pilot Ø82.5×2.8 <b>Code:H4:</b> 4-3/8-16 Square-flange , pilot Ø44.4×2.8 <b>Code H5:</b> 4-M10 Square-flange , pilot Ø44.4×2.8 <b>Code H6:</b> 4-Ø13.5 Rhomb-flange , pilot Ø82.5×2.8	<b>Code A:</b> Shalf Dia Ø25 , Parallel key 8×7×32 <b>Code D:</b> Shalf Dia Ø22.22, Parallel key 6.35×6.35×25.4 <b>Code H:</b> Shalf Dia Ø25.4 , pin hole Ø10.3 <b>Code I:</b> Shalf Dia Ø22.22, splined tooth 13-DP16/32 <b>Code J:</b> Shalf Dia Ø25 , Parallel key 7×7×32 <b>Code K:</b> Shalf Dia Ø25.4, woodruff key Ø25.4×6.35 <b>Code P:</b> Shalf Dia Ø25 , Parallel key 8×7×28 <b>Code S:</b> Shalf Dia Ø25.4 , splined tooth SEA 6B <b>Code T2:</b> Cone Shaft Dia Ø25.4 , woodruff key Ø25.4×6.35
	80		
	100		
	125		
	160		
	200		
	250		
	315		
375			
5	6	7	8
<b>Port and drain port</b>	<b>Rotation direction</b>	<b>Paint</b>	<b>Unusually function</b>
<b>Code G:</b> G1/2, G1/4 <b>Code S :</b> 7/8-14 O-ring ,7/16-20UNF <b>Code P:</b> 1/2-14 NPTF, 7/16-20UNF <b>Code T:</b> 3/4-16 O-ring, 7/16-20UNF <b>Code R:</b> PT(Rc) 1/2 ,PT(Rc)1/4 <b>Code B4:</b> Ø10 O-ring manifold 4x5/16-18,7/16-20UNF <b>Code B5:</b> Ø10 O-ring manifold 4xM8,G1/4 <b>Code M1:</b> M18*1.5,M10*1 <b>Code M2:</b> M20*1.5,M10*1 <b>Code M3:</b> M22*1.5,M10*1	<b>Omit:</b> Standard <b>Code R:</b> Opposite	<b>Omit:</b> Blue <b>Code 00:</b> No paint <b>Code B:</b> Black <b>Code S:</b> Silver Grey	<b>Omit:</b> Standard <b>Code 0:</b> No case drain <b>Code N:</b> Big radial force <b>Code F:</b> Free running <b>Code LS:</b> Low speed

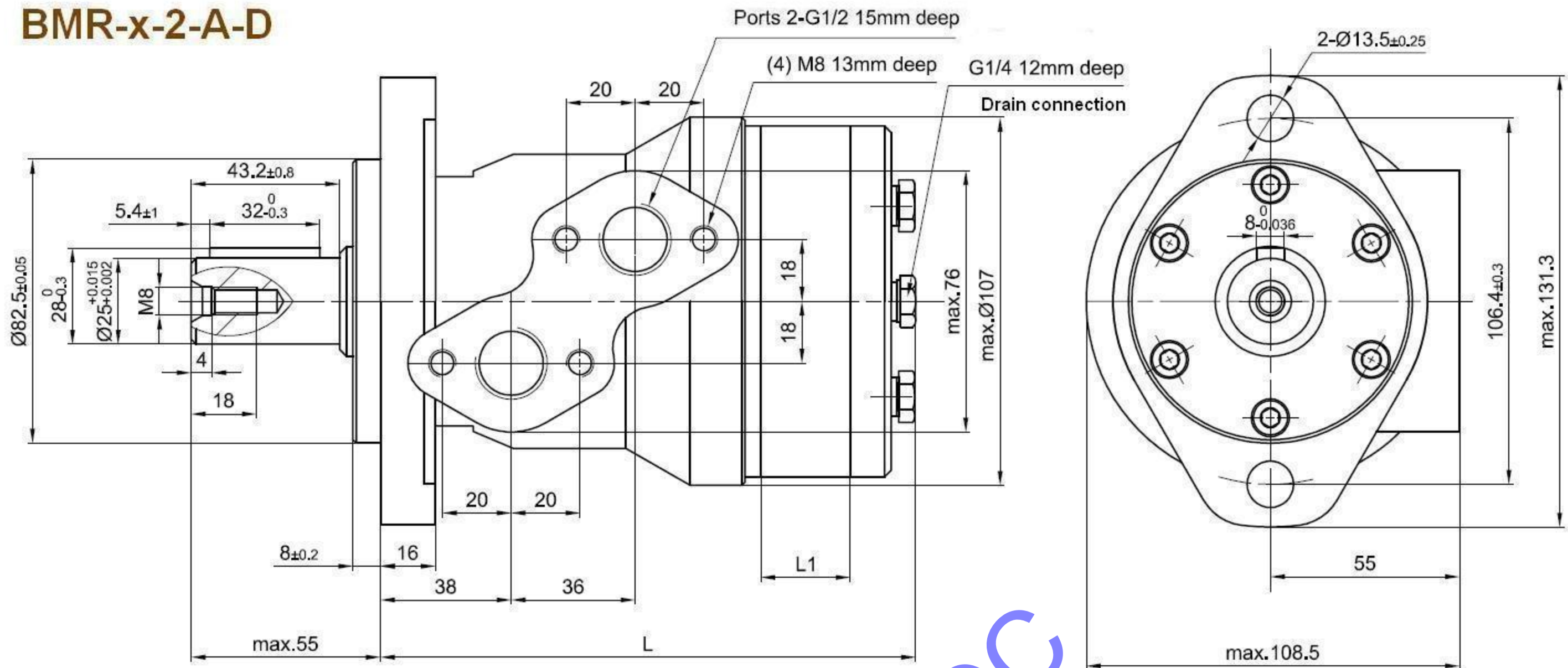


# BMR Series hydraulic orbit motor



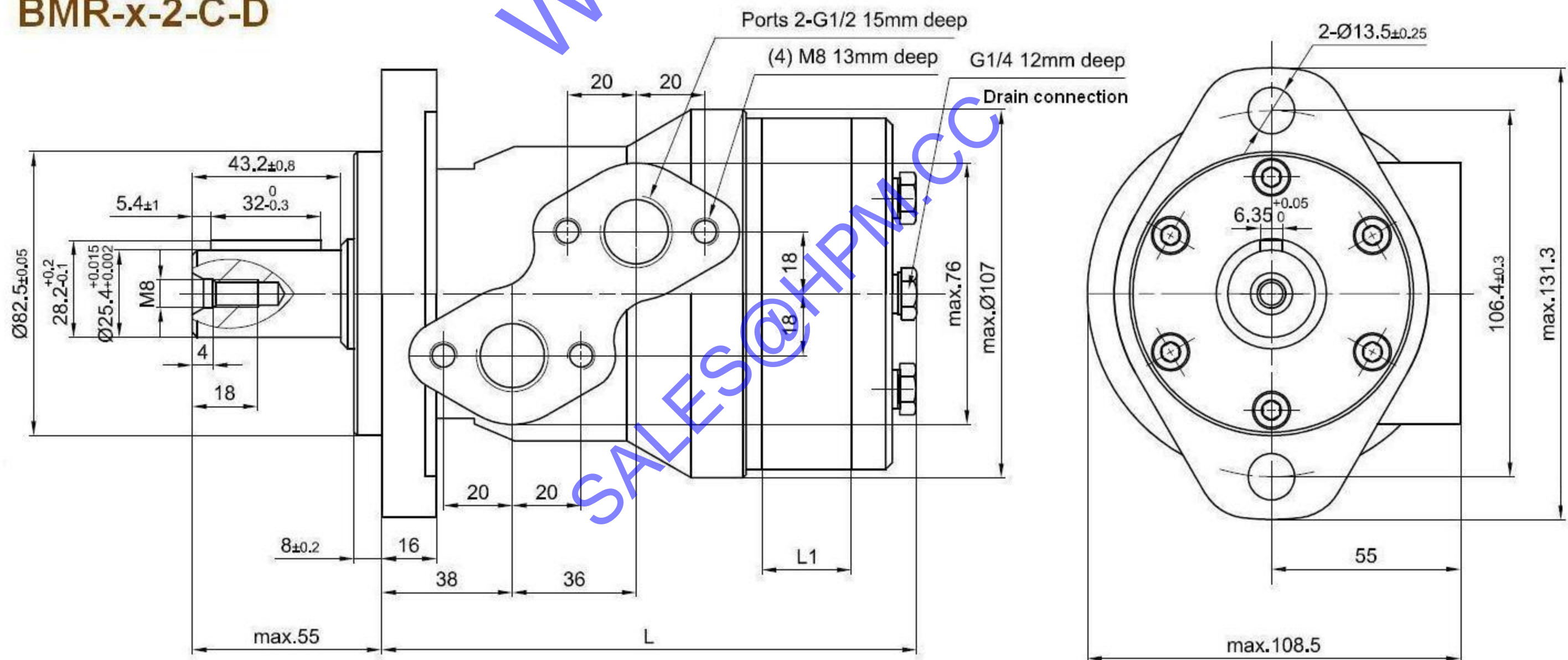
## Popular model drawing

### BMR-x-2-A-D



HPM Model	Danfoss Model	Danfoss Model	M+S Model	L mm	L1 mm
BMR-50-2AD**	151-0710	151-0410	EPRM-50CD**	140	10
BMR-80-2AD**	151-0711	151-0411	EPRM-80CD**	146	16
BMR-100-2AD**	151-0712	151-0412	EPRM-100CD**	150	20
BMR-125-2AD**	151-0713	151-0413	EPRM-125CD**	155	25
BMR-160-2AD**	151-0714	151-0414	EPRM-160CD**	162	30.5
BMR-200-2AD**	151-0715	151-0415	EPRM-200CD**	170	38.1
BMR-250-2AD**	151-0716	151-0416	EPRM-250CD**	180	50
BMR-315-2AD**	151-0717	151-0417	EPRM-315CD**	192	62
BMR-375-2AD**	151-0718	151-0418	EPRM-400CD**	204	74

### BMR-x-2-C-D



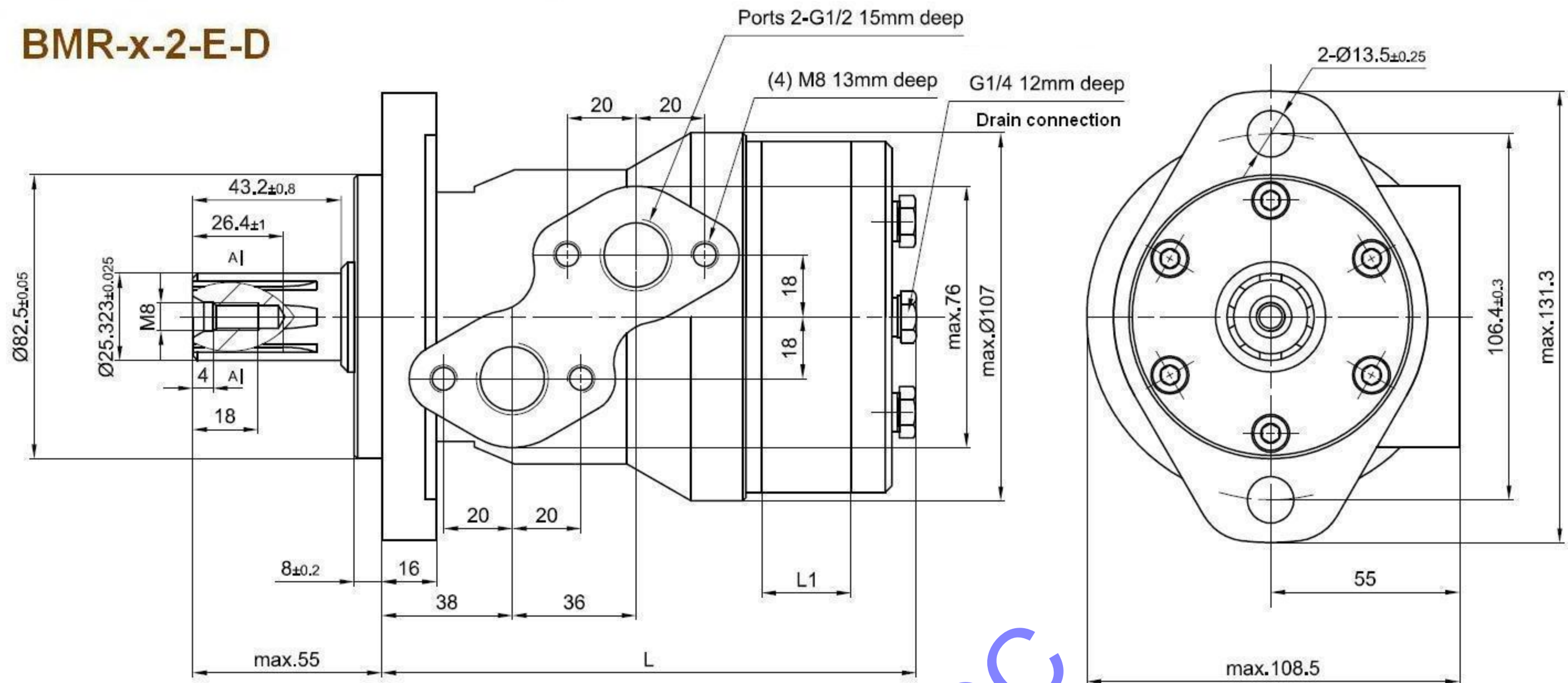
HPM Model	Danfoss Model	Danfoss Model	M+S Model	L mm	L1 mm
BMR-50-2CD**	151-0700	151-0400	EPRM-50COD**	140	10
BMR-80-2CD**	151-0701	151-0401	EPRM-80COD**	146	16
BMR-100-2CD**	151-0702	151-0402	EPRM-100COD**	150	20
BMR-125-2CD**	151-0703	151-0403	EPRM-125COD**	155	25
BMR-160-2CD**	151-0704	151-0404	EPRM-160COD**	162	30.5
BMR-200-2CD**	151-0705	151-0405	EPRM-200COD**	170	38.1
BMR-250-2CD**	151-0706	151-0406	EPRM-250COD**	180	50
BMR-315-2CD**	151-0707	151-0407	EPRM-315COD**	192	62
BMR-375-2CD**	151-0708	151-0408	EPRM-400COD**	204	74



# BMR Series hydraulic orbit motor

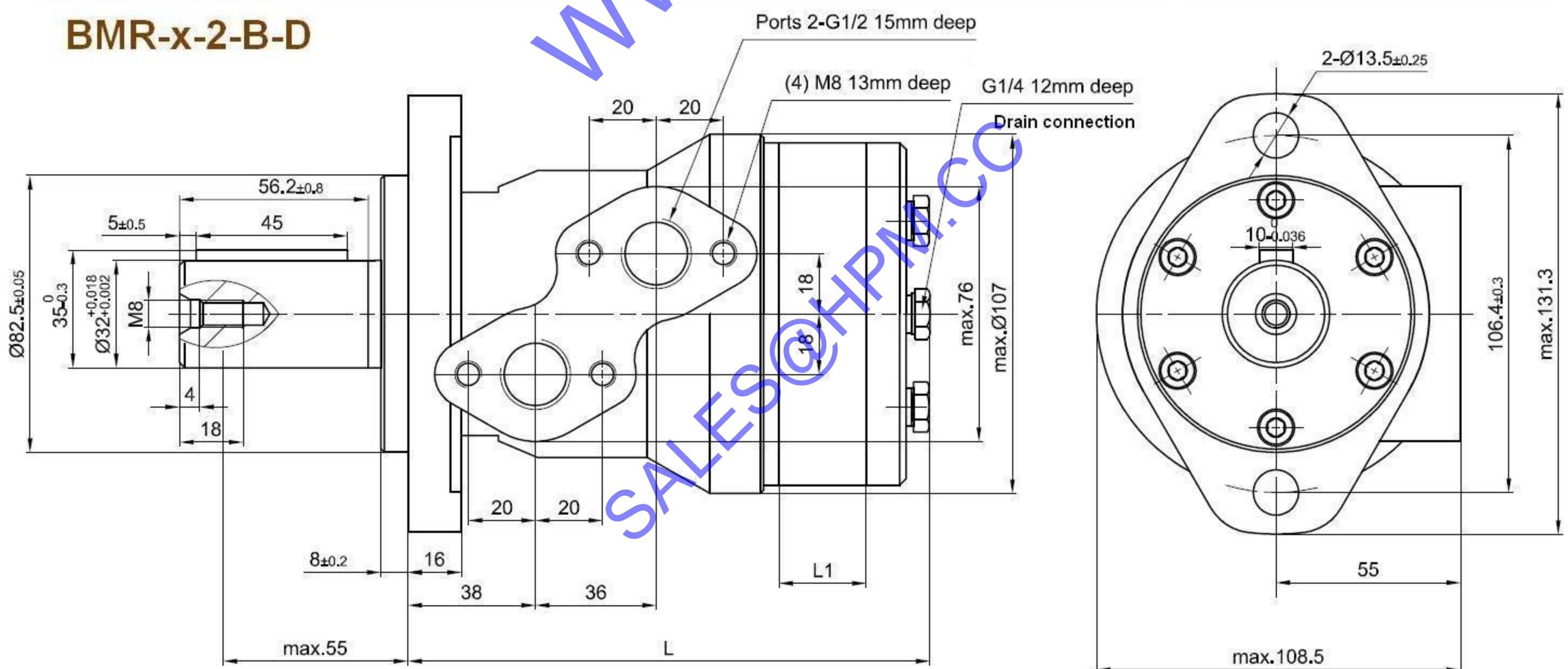
## Popular model drawing

### BMR-x-2-E-D



HPM Model	Danfoss Model	Danfoss Model	M+S Model	L mm	L1 mm
BMR-50-2ED**	151-0720	151-0420	EPRM-50SHD**	140	10
BMR-80-2ED**	151-0721	151-0421	EPRM-80SHD**	146	16
BMR-100-2ED**	151-0722	151-0422	EPRM-100SHD**	150	20
BMR-125-2ED**	151-0723	151-0423	EPRM-125SHD**	155	25
BMR-160-2ED**	151-0724	151-0424	EPRM-160SHD**	162	30.5
BMR-200-2ED**	151-0725	151-0425	EPRM-200SHD**	170	38.1
BMR-250-2ED**	151-0726	151-0426	EPRM-250SHD**	180	50
BMR-315-2ED**	151-0727	151-0427	EPRM-315SHD**	192	62
BMR-375-2ED**	151-0728	151-0428	EPRM-400SHD**	204	74

### BMR-x-2-B-D



HPM Model	Danfoss Model	M+S Model	L mm	L1 mm
BMR-50-2BD**	151-0248	EPRM-50CB**	140	10
BMR-80-2BD**	151-0242	EPRM-80CB**	146	16
BMR-100-2BD**	151-0243	EPRM-100CB**	150	20
BMR-125-2BD**	151-0208	EPRM-125CB**	155	25
BMR-160-2BD**	151-0244	EPRM-160CB**	161.5	30.5
BMR-200-2BD**	151-0245	EPRM-200CB**	170	38.1
BMR-250-2BD**	151-0247	EPRM-250CB**	180	50
BMR-315-2BD**	151-0246	EPRM-315CB**	192	62
BMR-375-2BD**	151-6294	EPRM-400CB**	204	74

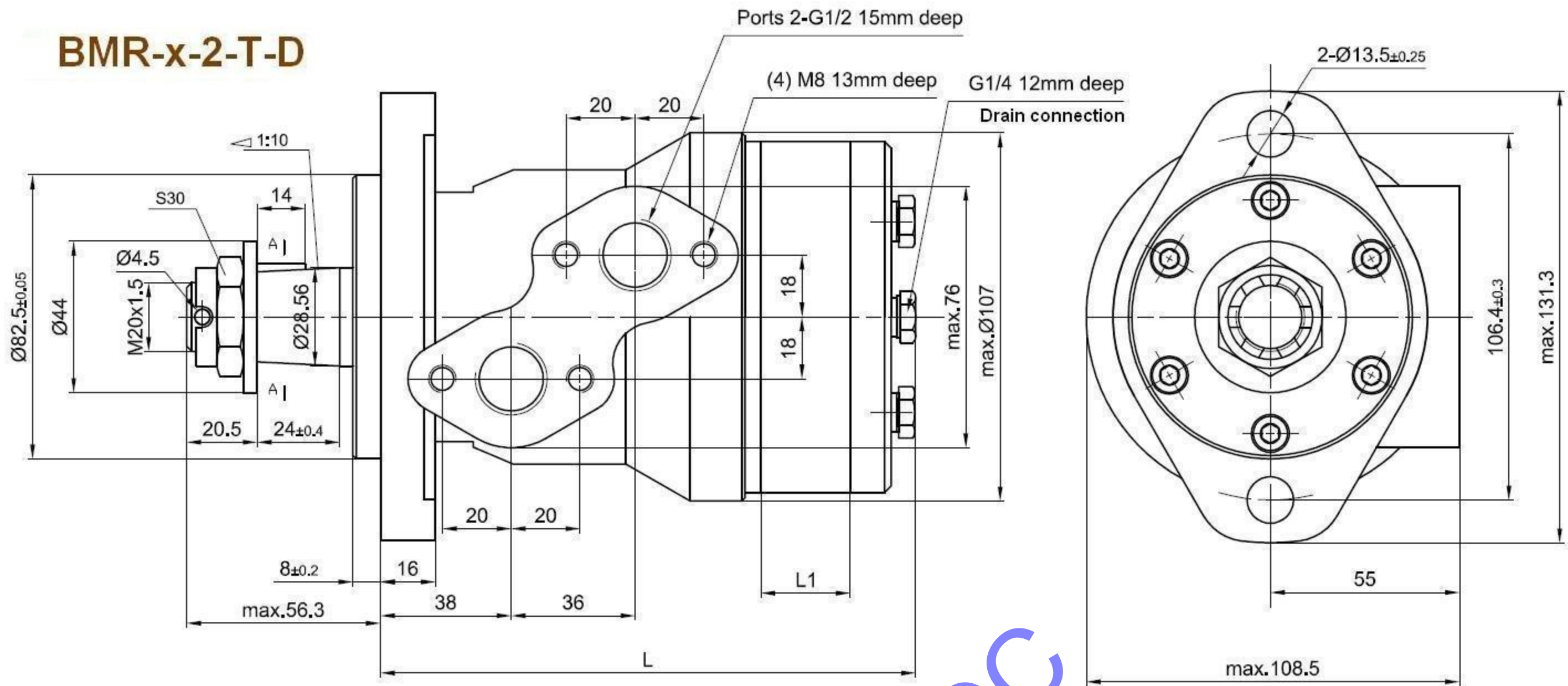


# BMR Series hydraulic orbit motor



## Popular model drawing

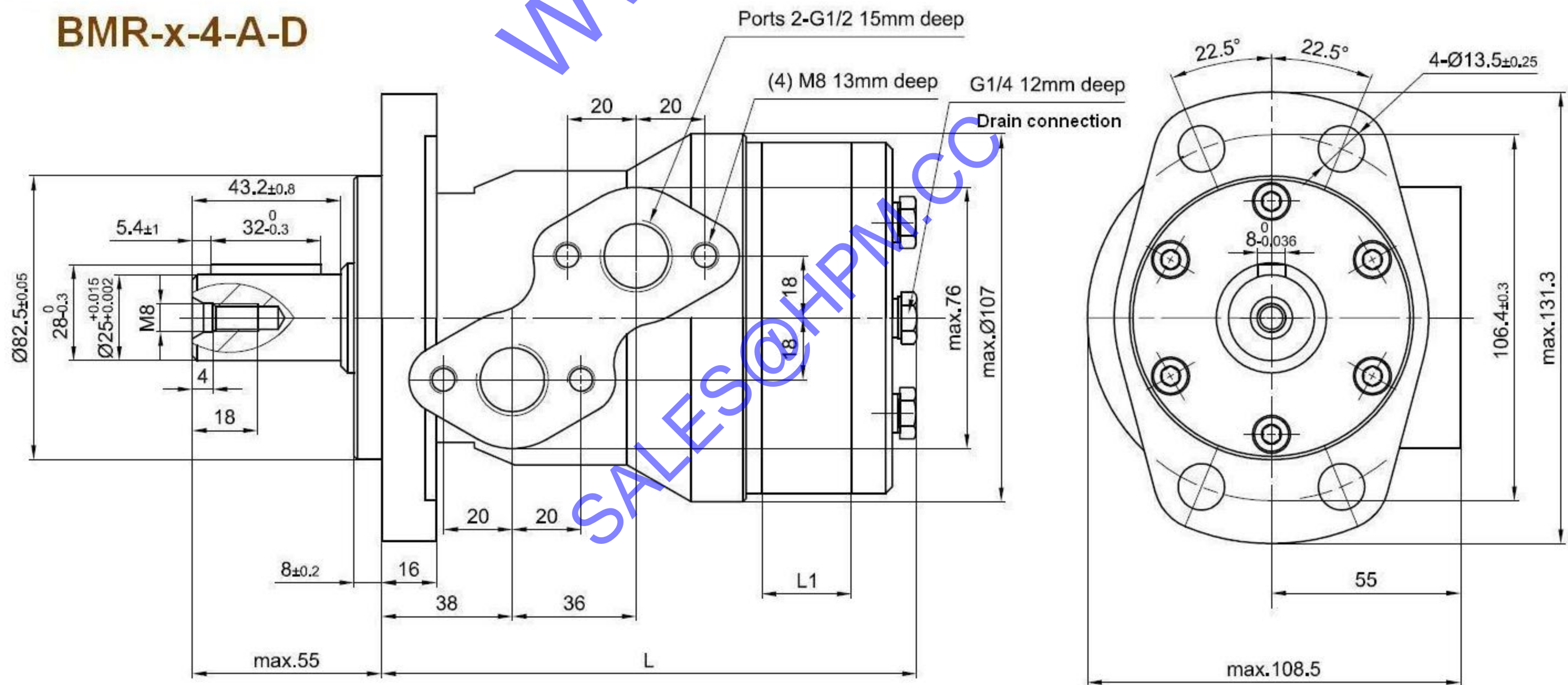
### BMR-x-2-T-D



HPM Model	Danfoss model	M+S code	L mm	L1 mm
BMR-50-2TD**	151-0265	EPRM-50KD**	140	10
BMR-80-2TD**	151-0266	EPRM-80KD**	146	16
BMR-100-2TD**	151-0267	EPRM-100KD**	150	20
BMR-125-2TD**	151-6295	EPRM-125KD**	155	25
BMR-160-2TD**	151-0268	EPRM-160KD**	161.5	30.5
BMR-200-2TD**	151-0269	EPRM-200KD**	170	38.1
BMR-250-2TD**	151-0271	EPRM-250KD**	180	50
BMR-315-2TD**	151-0270	EPRM-315KD**	192	62
BMR-375-2TD**	151-6296	EPRM-400KD**	204	74

With Drain Port

### BMR-x-4-A-D



HPM Model	Danfoss model	M+S code	L mm	L1 mm
BMR-50-4AD**	151-6010	EPRM-F50CD**	140	10
BMR-80-4AD**	151-6011	EPRM-F80CD**	146	16
BMR-100-4AD**	151-6012	EPRM-F100CD**	150	20
BMR-125-4AD**	151-6013	EPRM-F125CD**	155	25
BMR-160-4AD**	151-6014	EPRM-F160CD**	161.5	30.5
BMR-200-4AD**	151-6015	EPRM-F200CD**	170	38.1
BMR-250-4AD**	151-6016	EPRM-F250CD**	180	50
BMR-315-4AD**	151-6017	EPRM-F315CD**	192	62
BMR-375-4AD**	151-6018	EPRM-F400CD**	204	74

With Drain Port

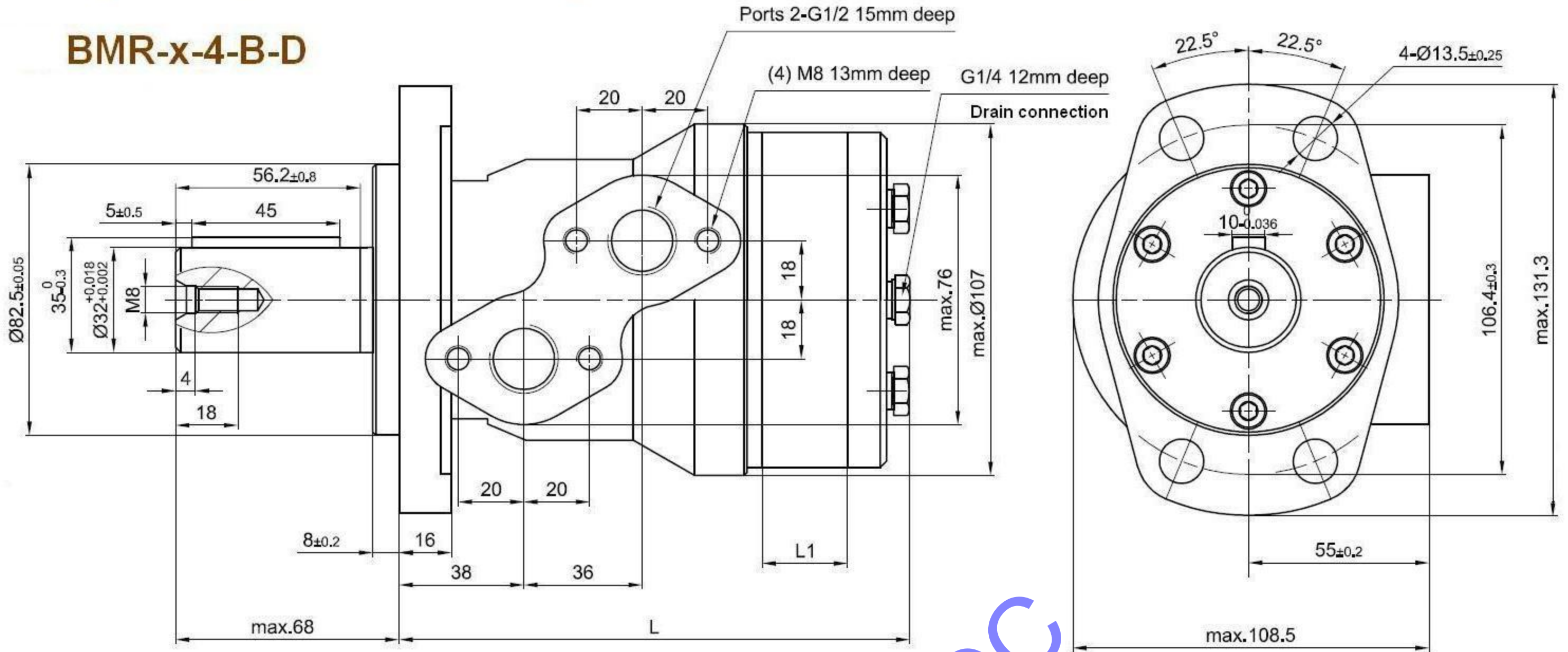


# BMR Series hydraulic orbit motor



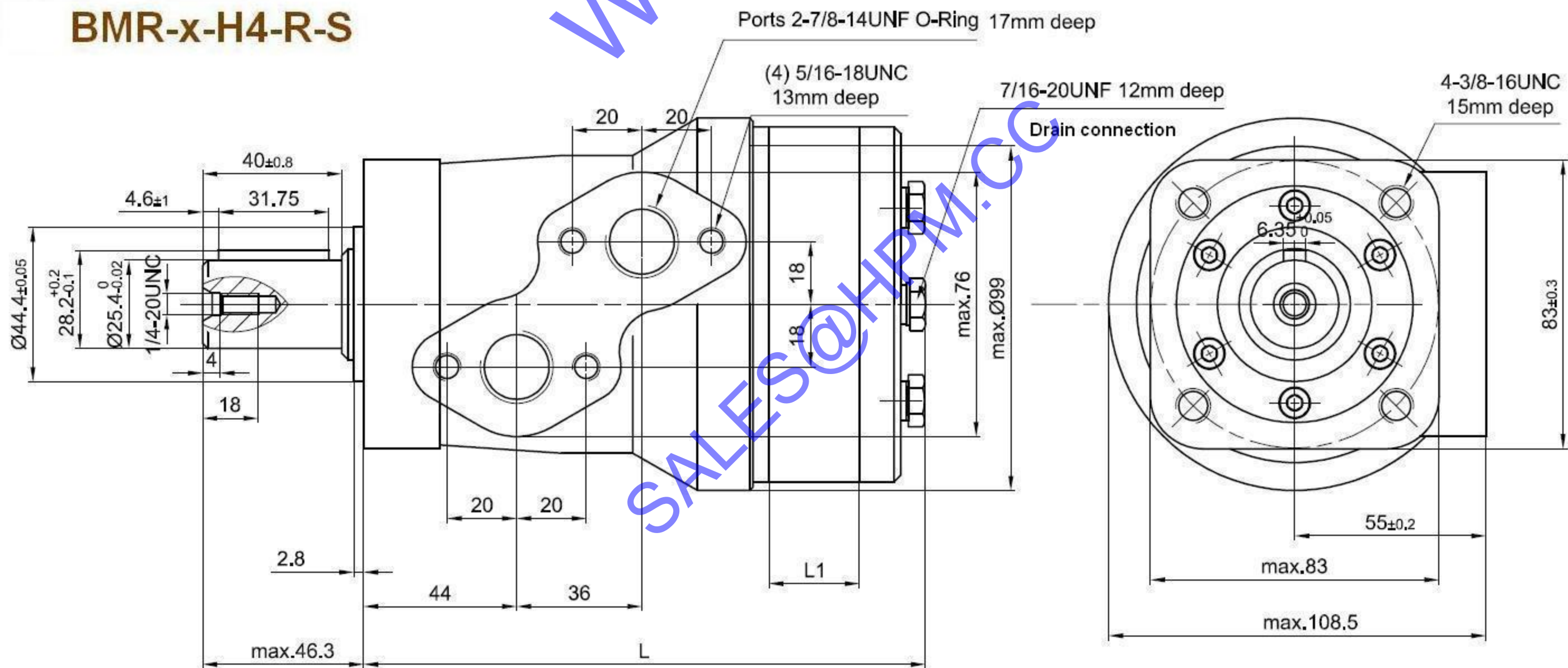
## Popular model drawing

### BMR-x-4-B-D



HPM Model	Danfoss Model	M+S Model	L mm	L1 mm
BMR-50-4BD**	151-6000	EPRM-F50CB**	140	10
BMR-80-4BD**	151-6001	EPRM-F80CB**	146	16
BMR-100-4BD**	151-6002	EPRM-F100CB**	150	20
BMR-125-4BD**	151-6003	EPRM-F125CB**	155	25
BMR-160-4BD**	151-6004	EPRM-F160CB**	161.5	30.5
BMR-200-4BD**	151-6005	EPRM-F200CB**	170	38.1
BMR-250-4BD**	151-6006	EPRM-F250CB**	180	50
BMR-315-4BD**	151-6007	EPRM-F315CB**	192	62
BMR-375-4BD**	151-6008	EPRM-F400CB**	204	74

### BMR-x-H4-R-S



HPM Model	Danfoss Model	M+S Model	L mm	L1 mm
BMR-50-H4RS**	151-7260	MLHR-Q50C4**	140	10
BMR-80-H4RS**	151-7261	MLHR-Q80C4**	146	16
BMR-100-H4RS**	151-7262	MLHR-Q100C4**	150	20
BMR-125-H4RS**	151-7263	MLHR-Q125C4**	155	25
BMR-160-H4RS**	151-7264	MLHR-Q160C4**	161.5	30.5
BMR-200-H4RS**	151-7265	MLHR-Q200C4**	170	38.1
BMR-250-H4RS**	151-7266	MLHR-Q250C4**	180	50
BMR-315-H4RS**	151-7267	MLHR-Q315C4**	192	62
BMR-375-H4RS**	151-7269	MLHR-Q400C4**	204	74

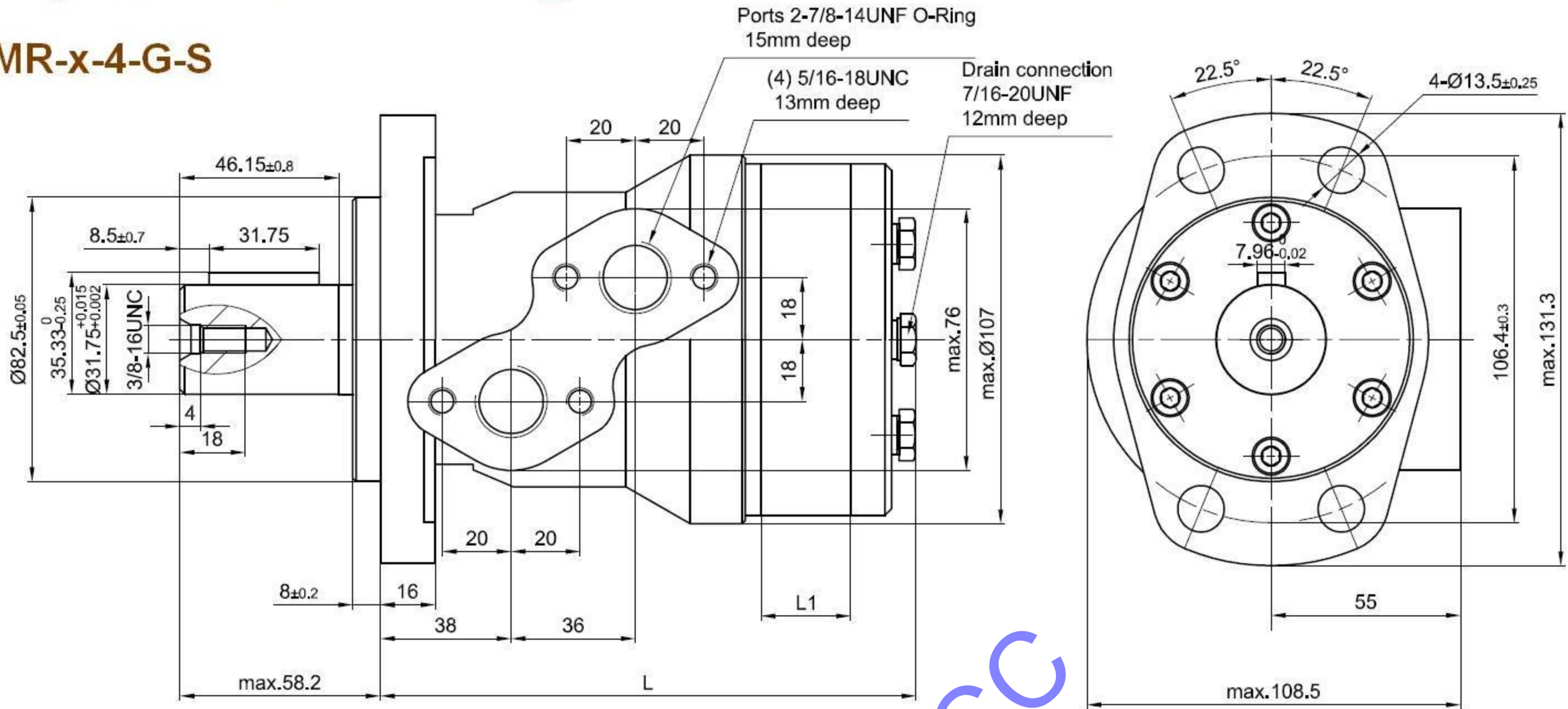


# BMR Series hydraulic orbit motor



## Popular model drawing

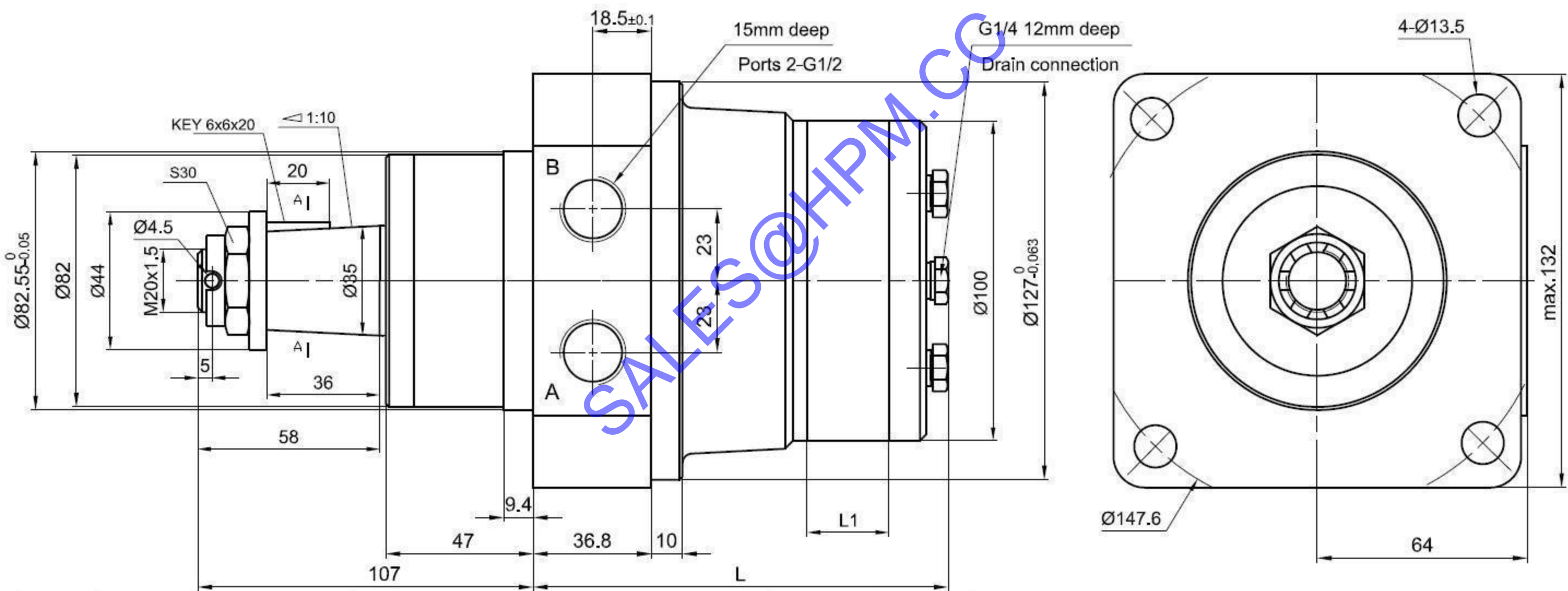
### BMR-x-4-G-S



HPM Model	Danfoss Model	M+S Model	L mm	L1 mm
BMR-50-4GS**	151-6110	MLHR-F50K4**	140	10
BMR-80-4GS**	151-6111	MLHR-F80K4**	146	16
BMR-100-4GS**	151-6112	MLHR-F100K4**	150	20
BMR-125-4GS**	151-6113	MLHR-F125K4**	155	25
BMR-160-4GS**	151-6114	MLHR-F160K4**	161.5	30.5
BMR-200-4GS**	151-6115	MLHR-F200K4**	170	38.1
BMR-250-4GS**	151-6116	MLHR-F250K4**	180	50
BMR-315-4GS**	151-6117	MLHR-F315K4**	192	62
BMR-375-4GS**	151-6118	MLHR-F400K4**	204	74

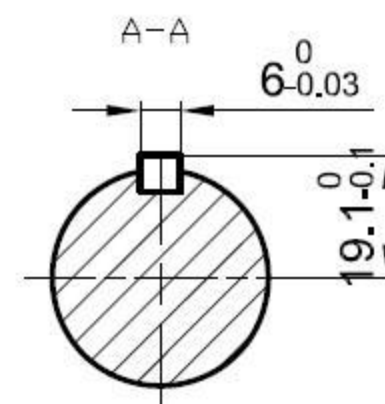
With Drain Port

### BMRW-x-T1D



HPM Model	Danfoss Model	L mm	L1 mm
BMRW-50-T1D**	151-6300	115	10
BMRW-80-T1D**	151-6301	119	16
BMRW-100-T1D**	151-6302	123	20
BMRW-125-T1D**	151-6303	128	25
BMRW-160-T1D**	151-6304	133.5	30.5
BMRW-200-T1D**	151-6305	141	38.1
BMRW-250-T1D**	151-6306	153	50
BMRW-315-T1D**	151-6307	165	62
BMRW-375-T1D**	151-6308	177	74

With Drain Port



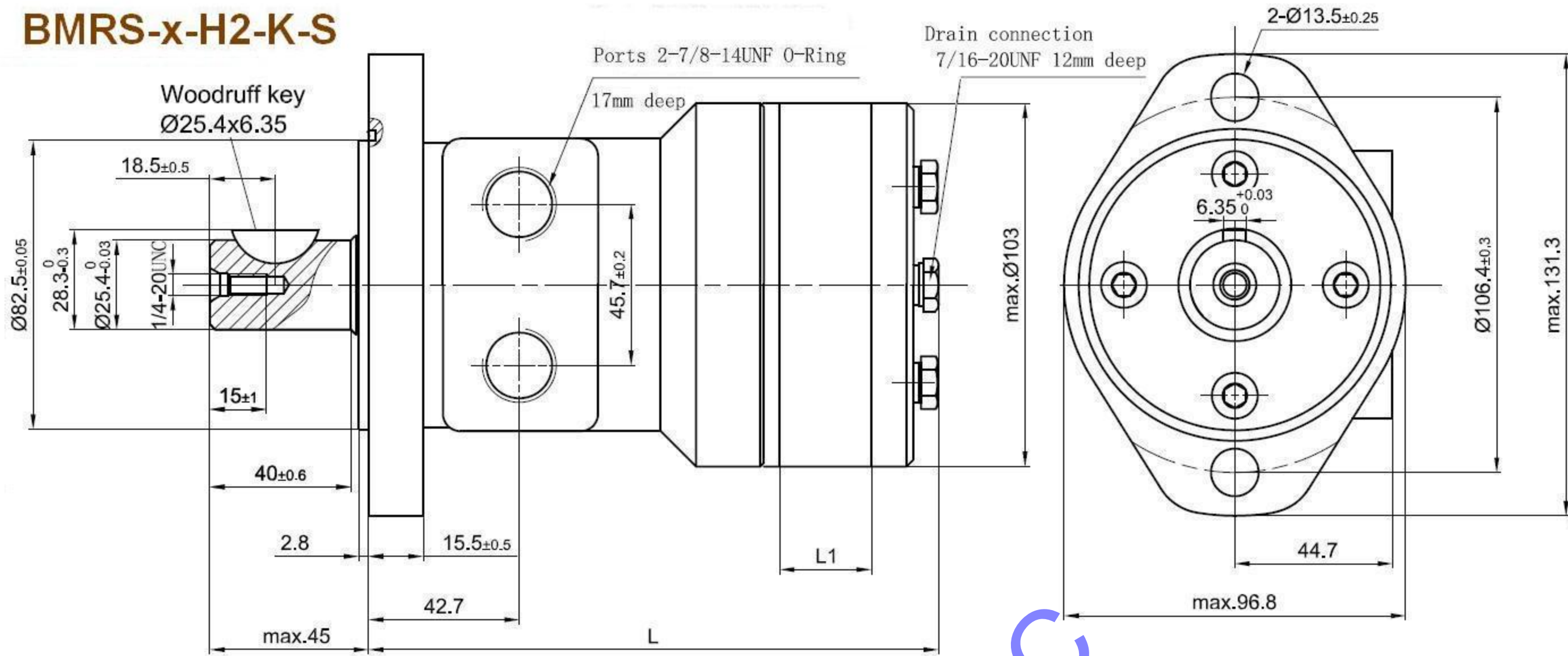


# BMR Series hydraulic orbit motor

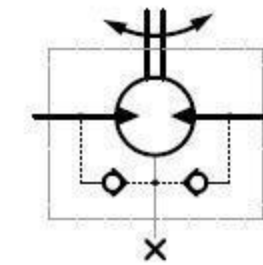


## Popular model drawing

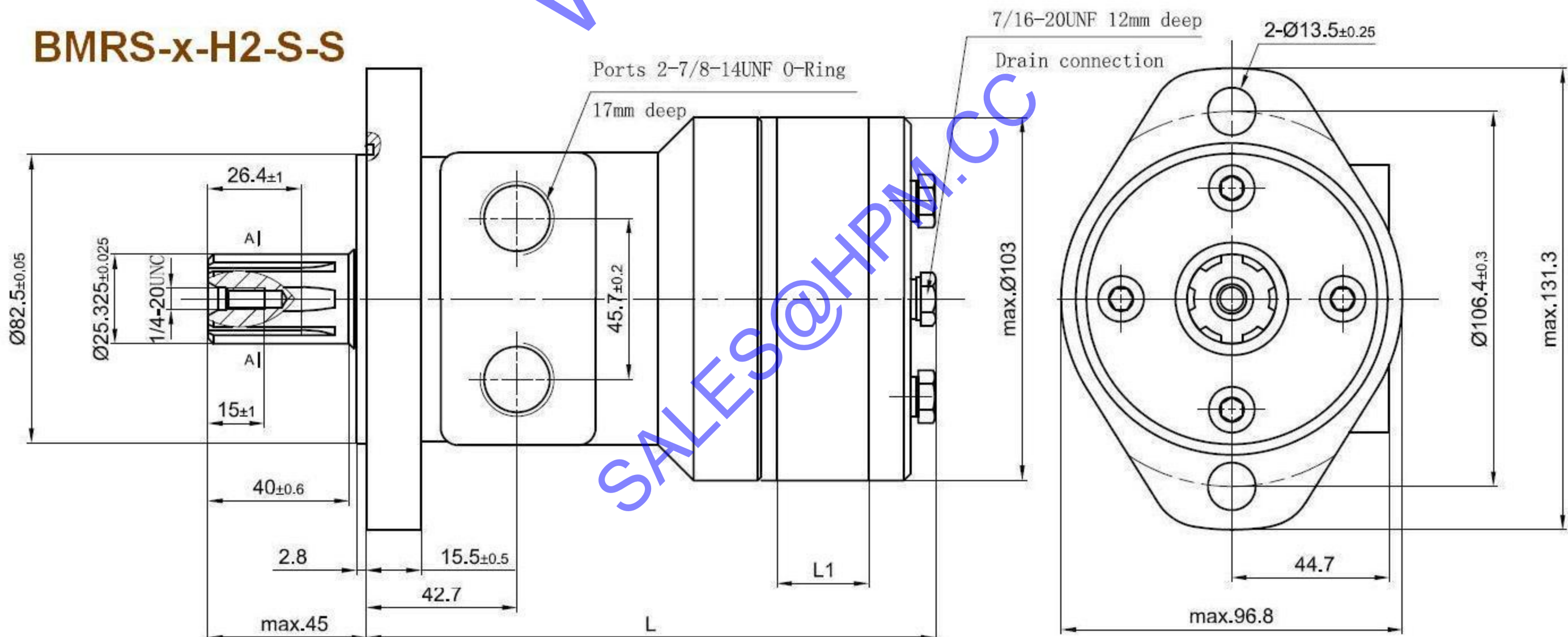
### BMRS-x-H2-K-S



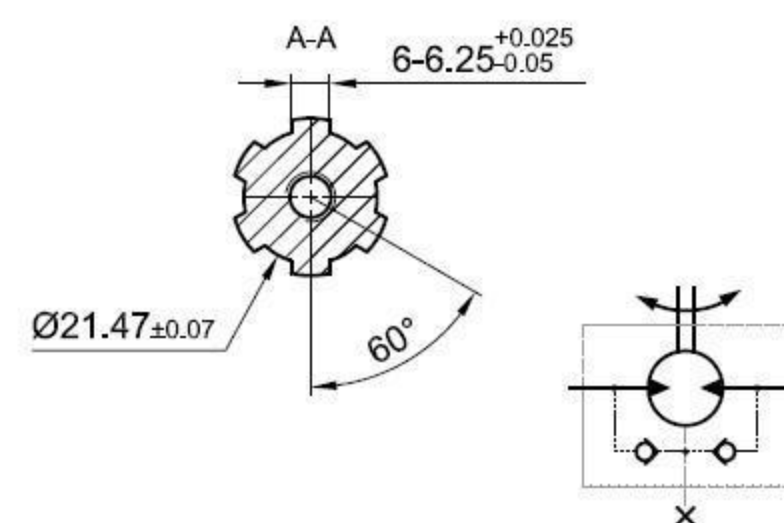
HPM Model	Eaton Model	L mm	L1 mm
BMRS-50-H2-K-S**		144	10
BMRS-80-H2-K-S**	103-1034 (MS0046AA01AA)	150	16
BMRS-100-H2-K-S**	103-1035 (MS0057AA01AA)	154	20
BMRS-125-H2-K-S**	103-1538 (MS0073AA01AA)	159	25
BMRS-160-H2-K-S**	103-1036 (MS0101AA01AA)	165.5	30.5
BMRS-200-H2-K-S**	103-1037 (MS0114AA01AA)	174	38.1
BMRS-250-H2-K-S**	103-1038 (MS0137AA01AA)	184	50
BMRS-315-H2-K-S**	103-1039 (MS0182AA01AA)	196	62
BMRS-375-H2-K-S**	103-1040 (MS0227AA01AA)	208	74



### BMRS-x-H2-S-S



HPM Model	Eaton Char-Lynn Model	L mm	L1 mm
BMRS-50-H2-S-S**		144	10
BMRS-80-H2-S-S**	103-1082 (MS0046AA02AA)	150	16
BMRS-100-H2-S-S**	103-1083 (MS0057AA02AA)	154	20
BMRS-125-H2-S-S**	103-1553 (MS0073AA02AA)	159	25
BMRS-160-H2-S-S**	103-1084 (MS0101AA02AA)	165.5	30.5
BMRS-200-H2-S-S**	103-1085 (MS0114AA02AA)	174	38.1
BMRS-250-H2-S-S**	103-1086 (MS0137AA02AA)	184	50
BMRS-315-H2-S-S**	103-1087 (MS0182AA02AA)	196	62
BMRS-400-H2-S-S**	103-1088 (MS0227AA02AA)	208	74



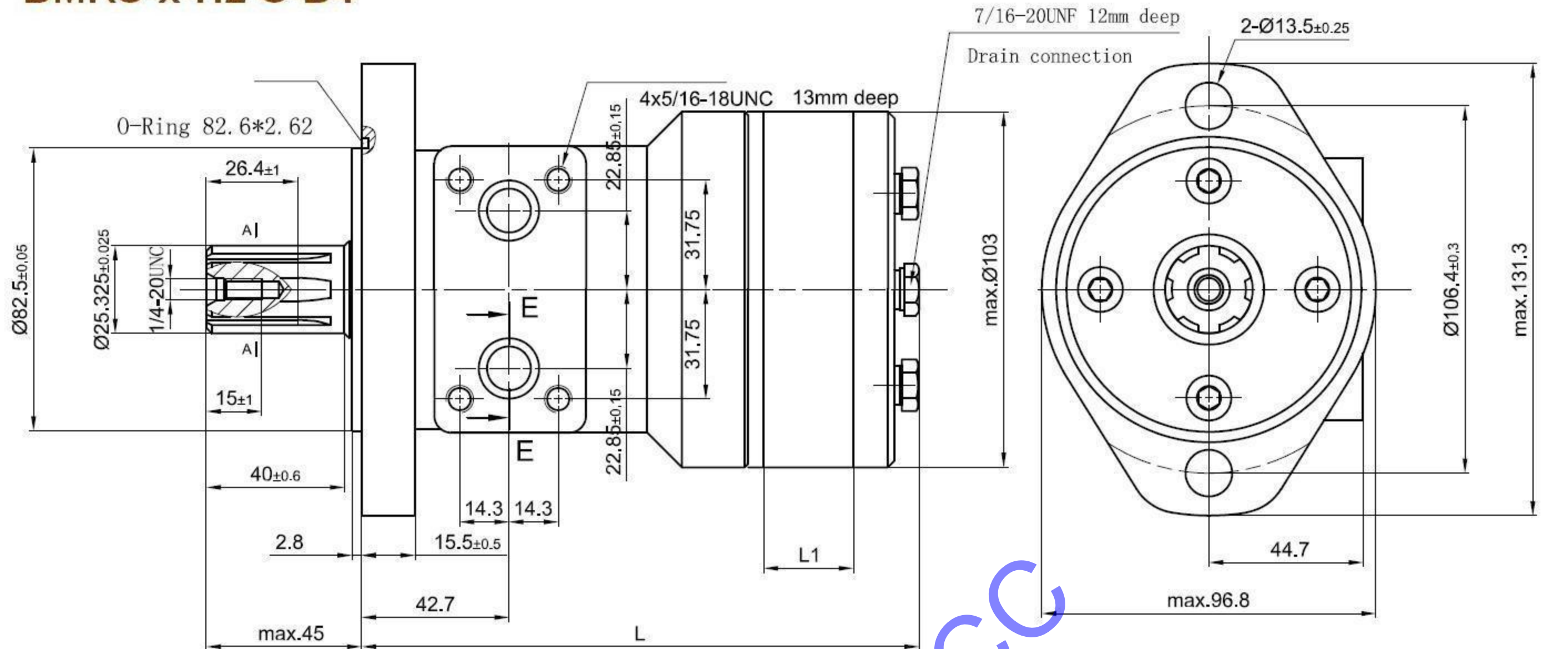


# BMR Series hydraulic orbit motor

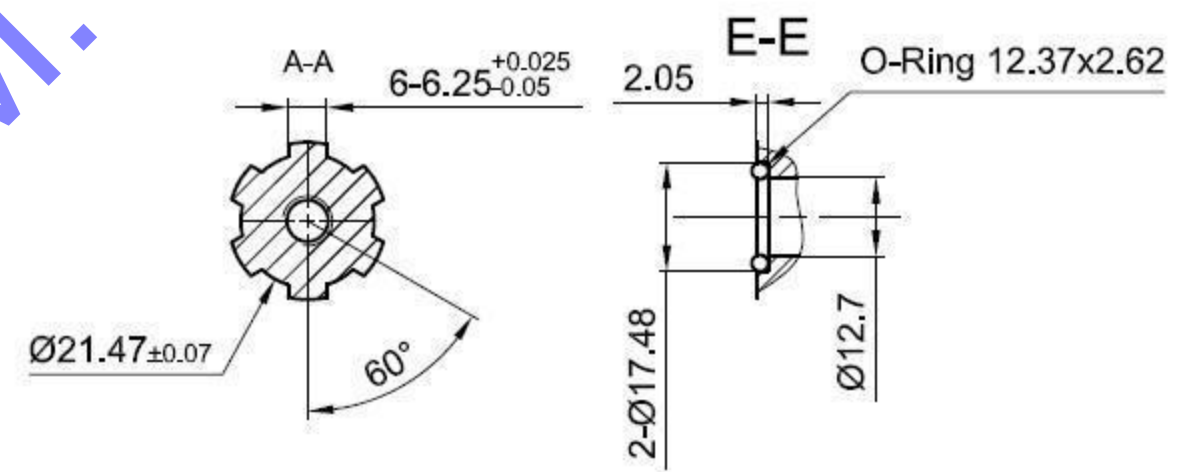


## Popular model drawing

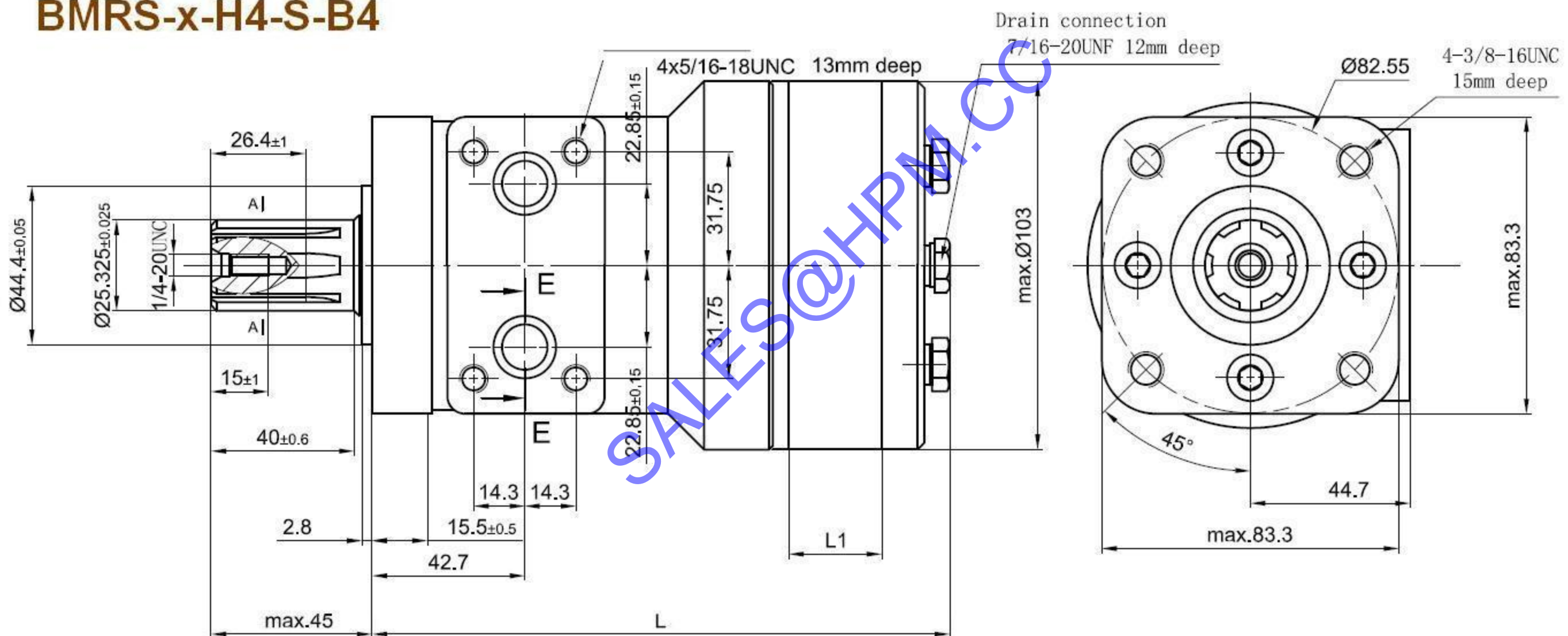
### BMRS-x-H2-S-B4



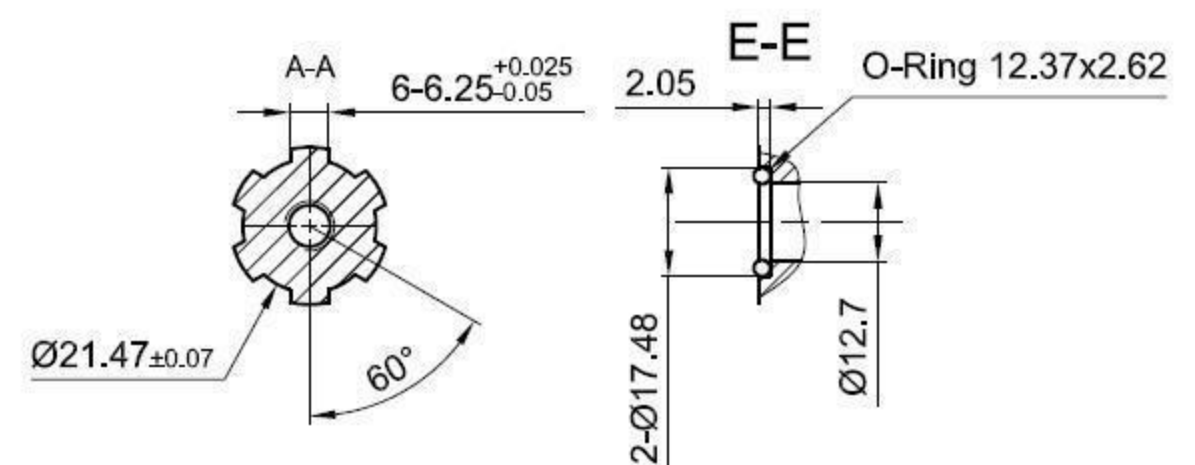
HPM Model	Eaton Model	L mm	L1 mm
BMRS-50-H2-S-B4**		144	10
BMRS-80-H2-S-B4**	103-1090 (MS0046AA02AC)	150	16
BMRS-100-H2-S-B4**	103-1091 (MS0057AA02AC)	154	20
BMRS-125-H2-S-B4**	103-1559 (MS0073AA02AC)	159	25
BMRS-160-H2-S-B4**	103-1092 (MS0101AA02AC)	165.5	30.5
BMRS-200-H2-S-B4**	103-1093 (MS0114AA02AC)	174	38.1
BMRS-250-H2-S-B4**	103-1094 (MS0137AA02AC)	184	50
BMRS-315-H2-S-B4**	103-1095 (MS0182AA02AC)	196	62
BMRS-375-H2-S-B4**	103-1096 (MS0227AA02AC)	208	74



### BMRS-x-H4-S-B4



HPM Model	Eaton Model	L mm	L1 mm
BMRS-50-H4-S-B4**		144	10
BMRS-80-H4-S-B4**	103-1066 (MS0046BA02AC)	150	16
BMRS-100-H4-S-B4**	103-1067 (MS0057BA02AC)	154	20
BMRS-125-H4-S-B4**	103-1586 (MS0073BA02AC)	159	25
BMRS-160-H4-S-B4**	103-1068 (MS0101BA02AC)	165.5	30.5
BMRS-200-H4-S-B4**	103-1069 (MS0114BA02AC)	174	38.1
BMRS-250-H4-S-B4**	103-1070 (MS0137BA02AC)	184	50
BMRS-315-H4-S-B4**	103-1071 (MS0182BA02AC)	196	62
BMRS-375-H4-S-B4**	103-1072 (MS0227BA02AC)	208	74



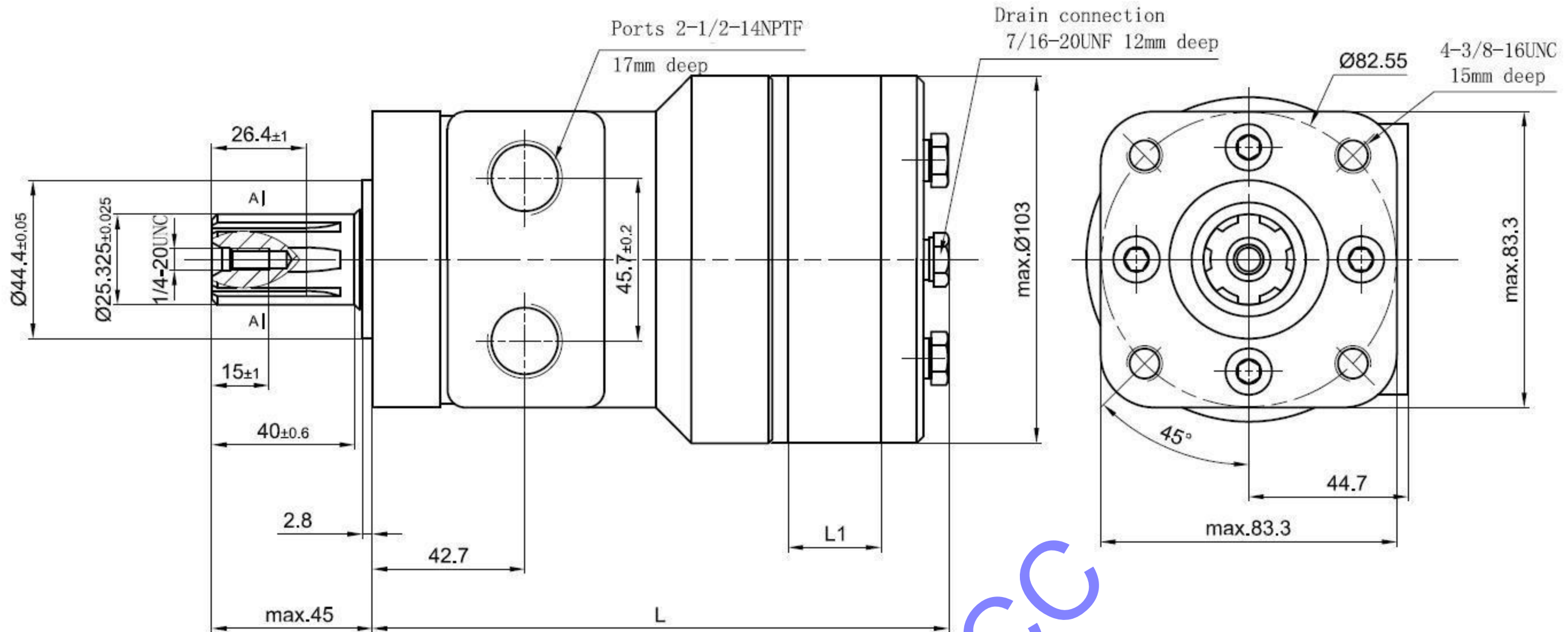


# BMR Series hydraulic orbit motor



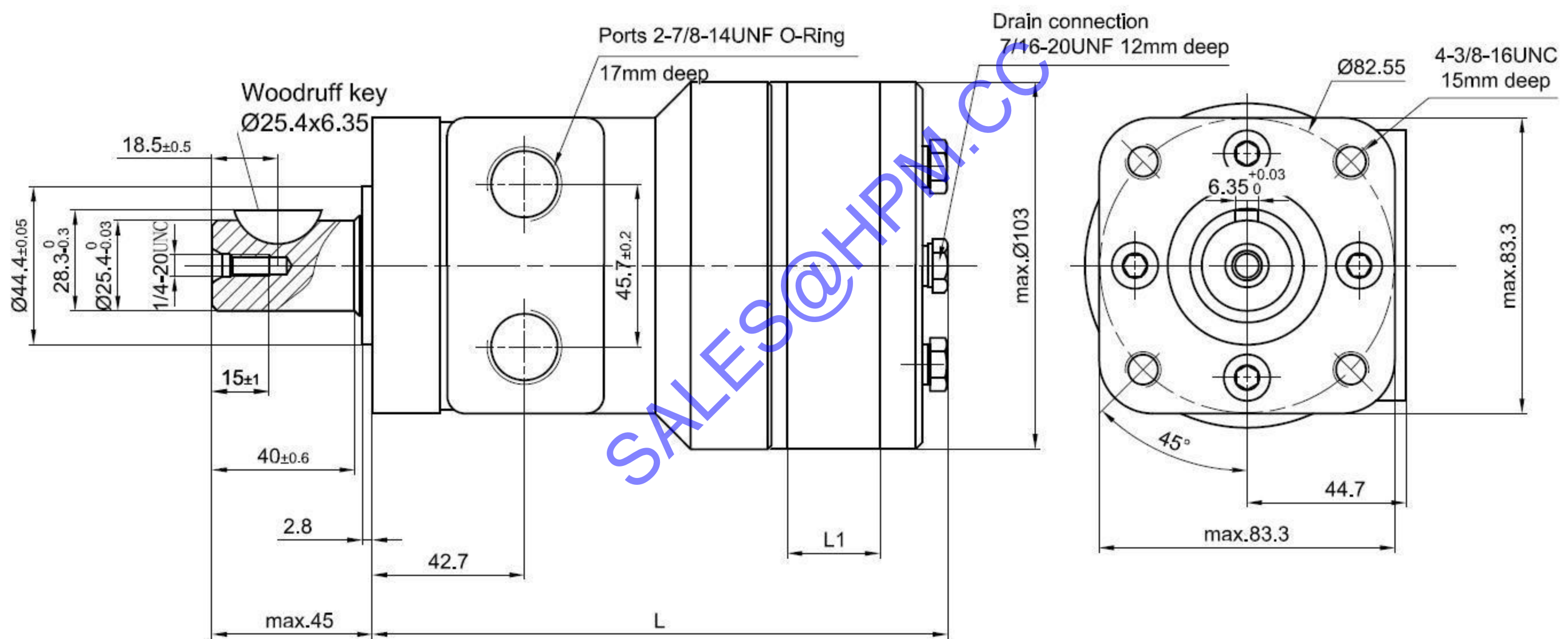
## Popular model drawing

### BMRS-x-H4-S-P

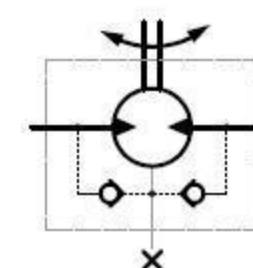


HPM Model	Eaton Model	L mm	L1 mm
BMRS-50-H4-S-P**		144	10
BMRS-80-H4-S-P**	103-1050 (MS0046BA02AB)	150	16
BMRS-100-H4-S-P**	103-1051 (MS0057BA02AB)	154	20
BMRS-125-H4-S-P**	103-1583 (MS0073BA02AB)	159	25
BMRS-160-H4-S-P**	103-1052 (MS0101BA02AB)	165.5	30.5
BMRS-200-H4-S-P**	103-1053 (MS0114BA02AB)	174	38.1
BMRS-250-H4-S-P**	103-1054 (MS0137BA02AB)	184	50
BMRS-315-H4-S-P**	103-1055 (MS0182BA02AB)	196	62
BMRS-375-H4-S-P**	103-1056 (MS0227BA02AB)	208	74

### BMRS-x-H4-K-S



HPM Model	Eaton Model	L mm	L1 mm
BMRS-50-H4-K-S**		144	10
BMRS-80-H4-K-S**	103-1010 (MS0046BA01AA)	150	16
BMRS-100-H4-K-S**	103-1011 (MS0057BA01AA)	154	20
BMRS-125-H4-K-S**	103-1571 (MS0073BA01AA)	159	25
BMRS-160-H4-K-S**	103-1012 (MS0101BA01AA)	165.5	30.5
BMRS-200-H4-K-S**	103-1013 (MS0114BA01AA)	174	38.1
BMRS-250-H4-K-S**	103-1014 (MS0137BA01AA)	184	50
BMRS-315-H4-K-S**	103-1015 (MS0182BA01AA)	196	62
BMRS-375-H4-K-S**	103-1016 (MS0227BA01AA)	208	74





# BMH Series hydraulic orbit motor



BMH-Replace with DANFOSS OMH SERIES, M+S EPMH/MLHH SERIES

## Parameters

Type		BMH-200	BMH-250	BMH-315	BMH-400	BMH-500
<b>Displacement</b>		203.2	255.9	316.1	406.4	489.2
<b>Max. speed (rpm)</b>	cont.	366	290	236	183	155
	int.	439	348	282	220	166
<b>Max. torque (N•m)</b>	cont.	510	621	740	850	830
	int.	579	702	827	990	1040
	peak	651	790	980	1092	1170
<b>Max. output (KW)</b>	cont.	11.2	9.2	9.8	7.4	6.5
	int.	17	15	13	13	11
<b>Max. pressure drop (Mpa)</b>	cont.	17.5	17.5	17.5	15.5	12.5
	int.	20	20	20	19	16
	peak	22.5	22.5	22.5	21	18
<b>Max. flow (L/min)</b>	cont.	75	75	75	75	75
	int.	90	90	90	90	90
<b>Weight(kg)</b>		10.5	11	11.5	12.3	13

## Selection

1	2	3	4
Series	Displacement	Flange	Output shaft
<b>BMH</b>	200	Code 2: 2-Ø13.5 Rhomb-flange , pilot Ø82.5×6 Code 4: 4-Ø13.5 Rhomb-flange , pilot Ø82.5×6	Code B: Ø32 , Parallel key 10×8×45 Code M: Ø35 ,Parallel key 10×8×45 Code F: Ø31.75 , Splined key 14-DP12/24 Code FD: Ø31.75 , Splined key 14-DP12/24 Long shaft Code G: Ø32, Parallel key7.96×7.96×31.75 Code T1: Ø35 Cone shaft,Parallel key 6×6×20 Code S: Ø25.4,Splined key SAE 6B
	250		
	315		
	400		
	500		
5	6	7	8
Port and drain port	Rotation direction	Paint	Unusually function
Code D: G1/2 Manifold mount 4*M8,G1/4 Code M : M22*1.5 Manifold mount 4*M8,M14*1.5 Code S: 7/8-14 O-ring Manifold mount 4*M8,7/16-20UNF Code P: 1/2-14NPTF Manifold mount 4*M8,7/16-20UNF Code R: PT(Rc) 1/2 Manifold mount 4*M8,PT(Rc)1/4	Omit: Standard Code R: Opposite	Omit:Blue Code 00: No paint Code B:Black Code S:Silver Grey	Omit:Standard Code 0:No case drain Code N:Big radial force Code F:Free running Code LS:Low speed

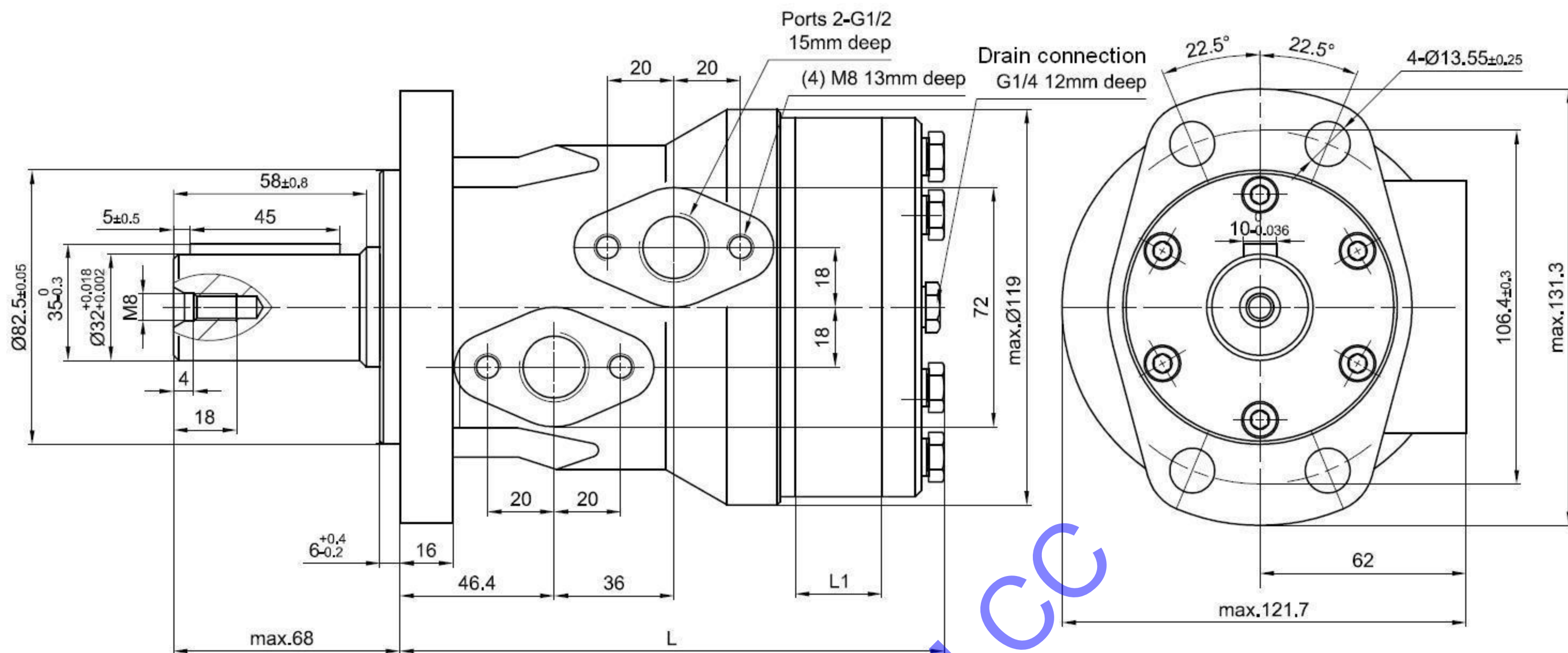


# BMH Series hydraulic orbit motor



## Popular model drawing

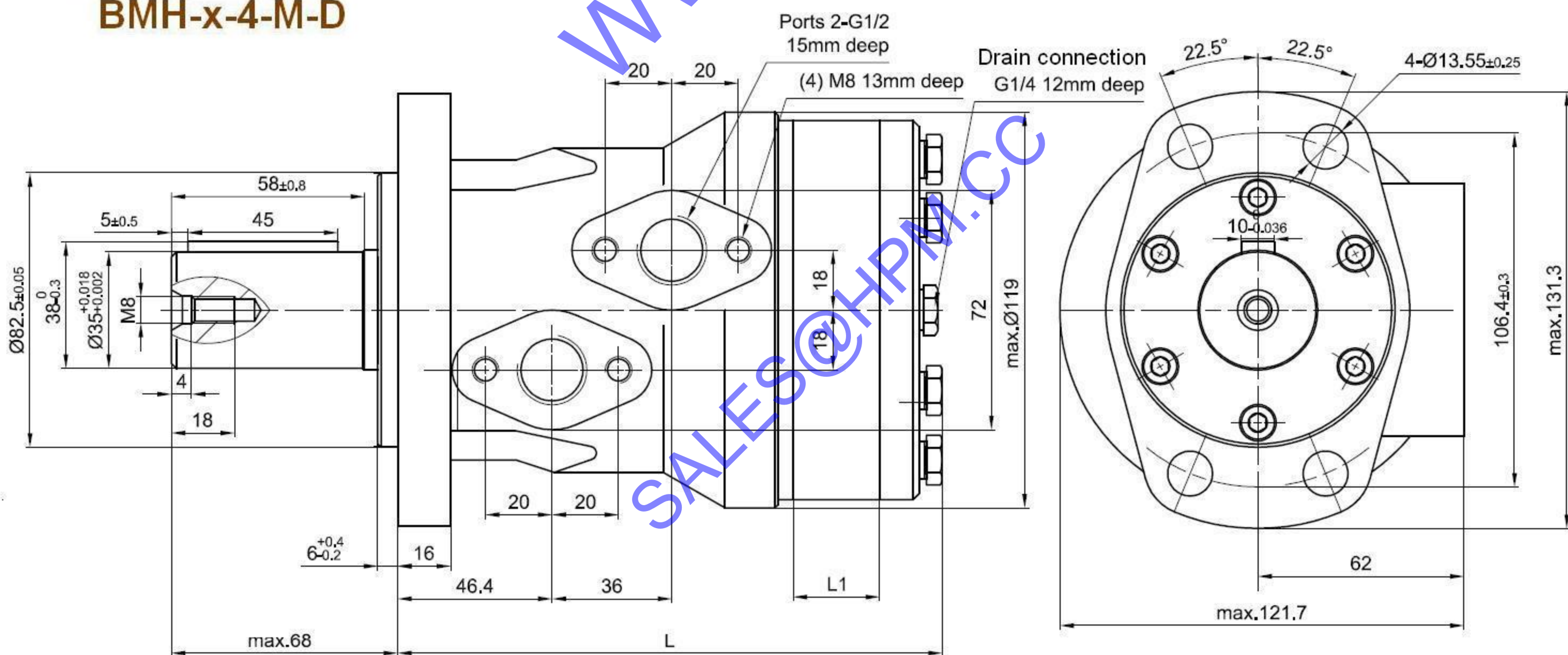
### BMH-x-4-B-D



HPM Model	Danfoss Model	M+S Model	L mm	L1 mm
BMH-200-4BD**	151H-1002	EPMH-200C**	168	27
BMH-250-4BD**	151H-1003	EPMH-250C**	175	34
BMH-315-4BD**	151H-1004	EPMH-315C**	184	42
BMH-400-4BD**	151H-1005	EPMH-400C**	195	54
BMH-500-4BD**	151H-1006	EPMH-500C**	206	65

With Drain Port

### BMH-x-4-M-D



HPM Model	Danfoss Model	M+S Model	L mm	L1 mm
BMH-200-4MD**	151H-1012	EPMH-200CB**	168	27
BMH-250-4MD**	151H-1013	EPMH-250CB**	175	34
BMH-315-4MD**	151H-1014	EPMH-315CB**	184	42
BMH-400-4MD**	151H-1015	EPMH-400CB**	195	54
BMH-500-4MD**	151H-1016	EPMH-500CB**	206	65

With Drain Port

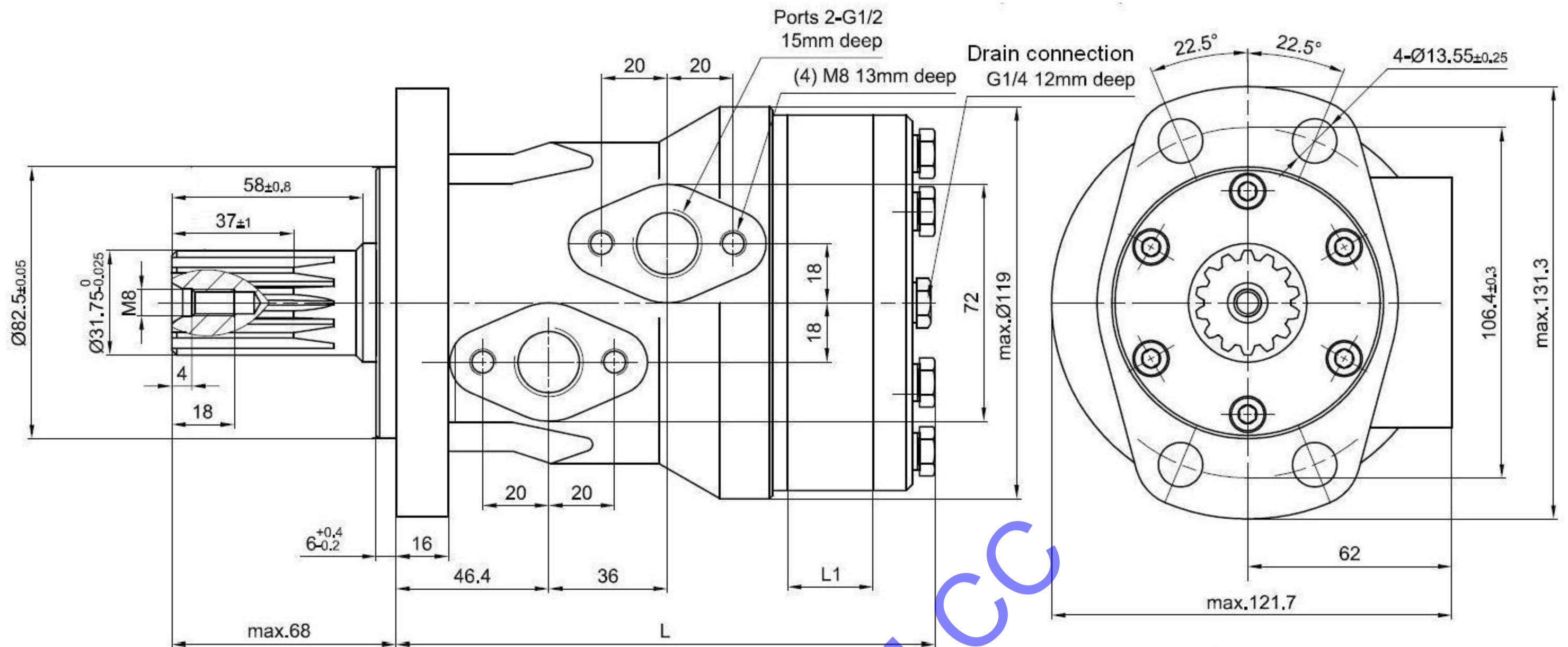


# BMH Series hydraulic orbit motor



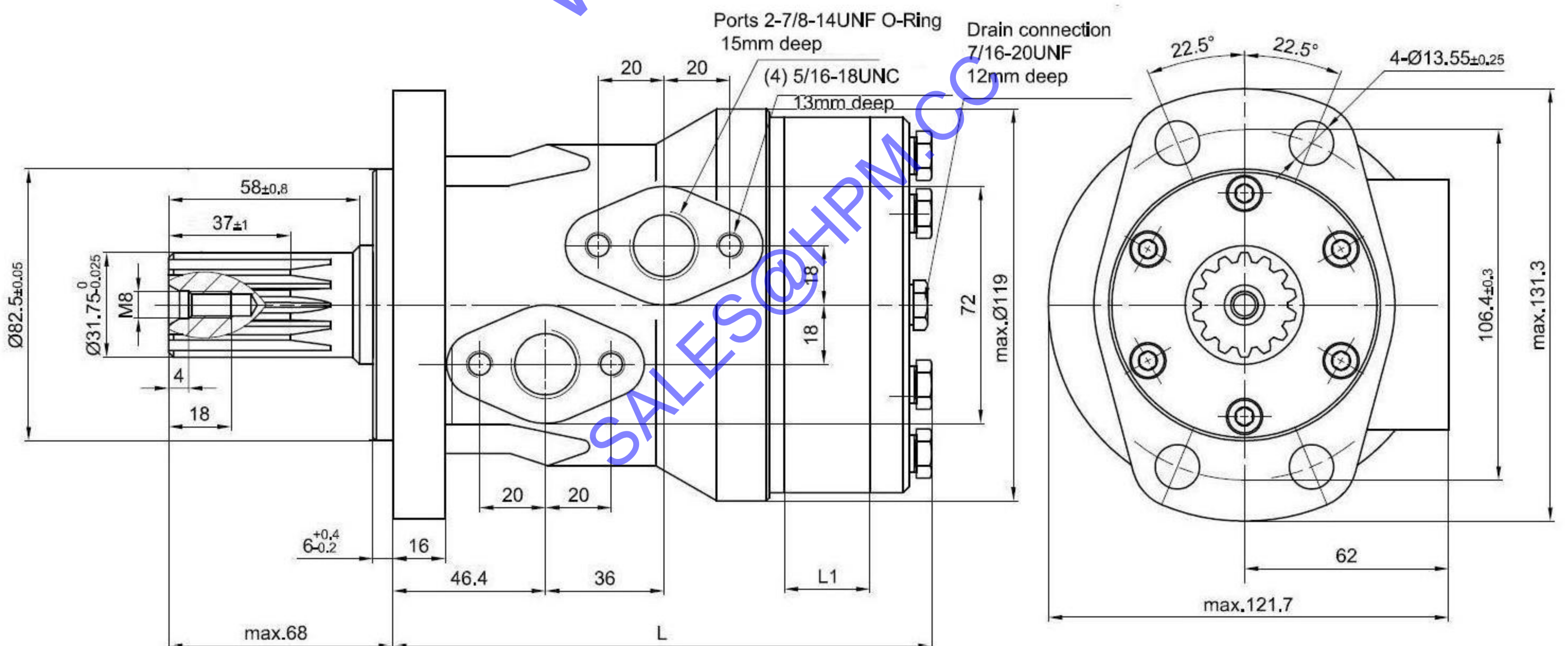
## Popular model drawing

### BMH-x-4FD-D



HPM Model	Danfoss Model	M+S Model	L mm	L1 mm
BMH-200-4FD-D**	151H-1022	EPMH-200SH**	168	27
BMH-250-4FD-D**	151H-1023	EPMH-250SH**	175	34
BMH-315-4FD-D**	151H-1024	EPMH-315SH**	184	42
BMH-400-4FD-D**	151H-1025	EPMH-400SH**	195	54
BMH-500-4FD-D**	151H-1026	EPMH-500SH**	206	65

### BMH-x-4FD-S



HPM Model	Danfoss Model	M+S Model	L mm	L1 mm
BMH-200-4FD-S**	151H-1052	MLHH-200L4**	168	27
BMH-250-4FD-S**	151H-1053	MLHH-250L4**	175	34
BMH-315-4FD-S**	151H-1054	MLHH-315L4**	184	42
BMH-400-4FD-S**	151H-1055	MLHH-400L4**	195	54
BMH-500-4FD-S**	151H-1056	MLHH-500L4**	206	65

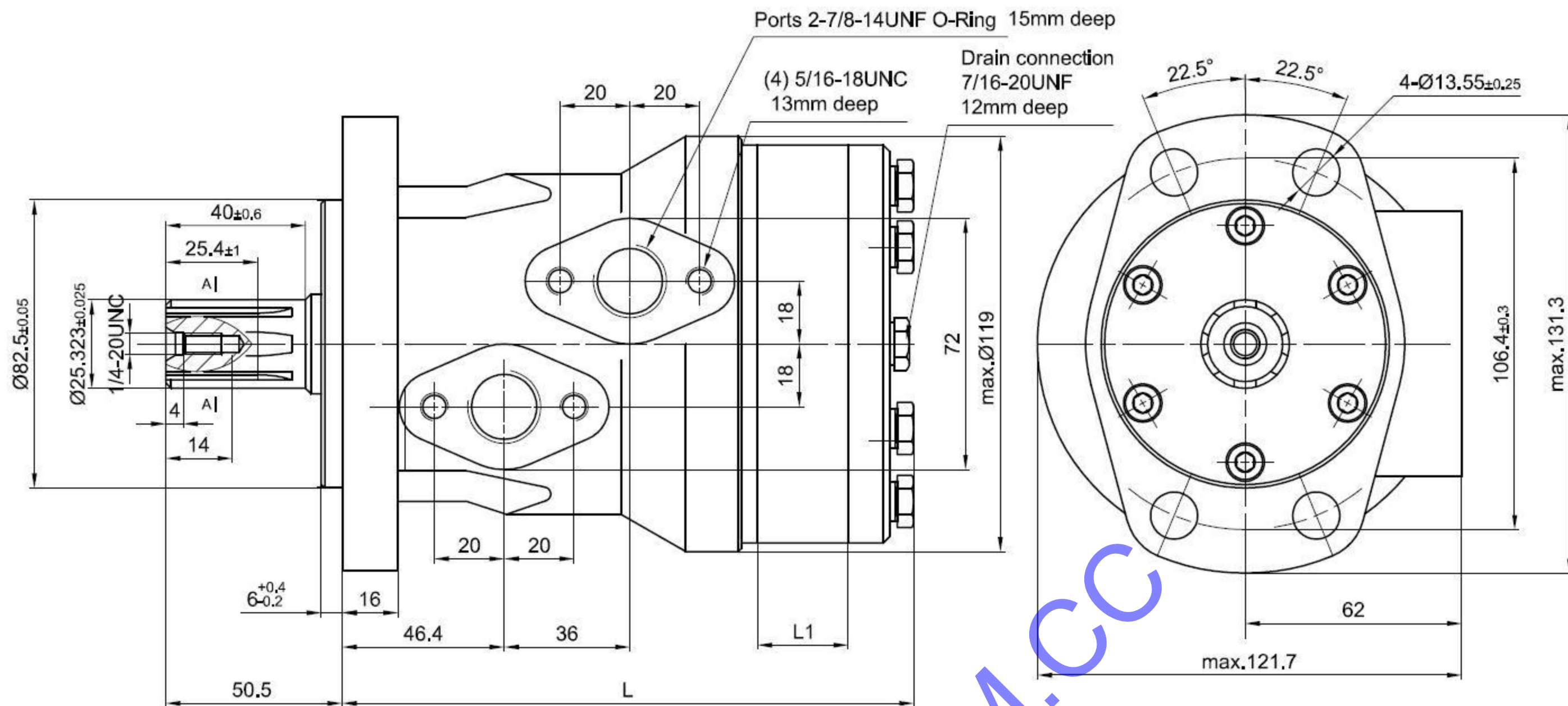


# BMH Series hydraulic orbit motor



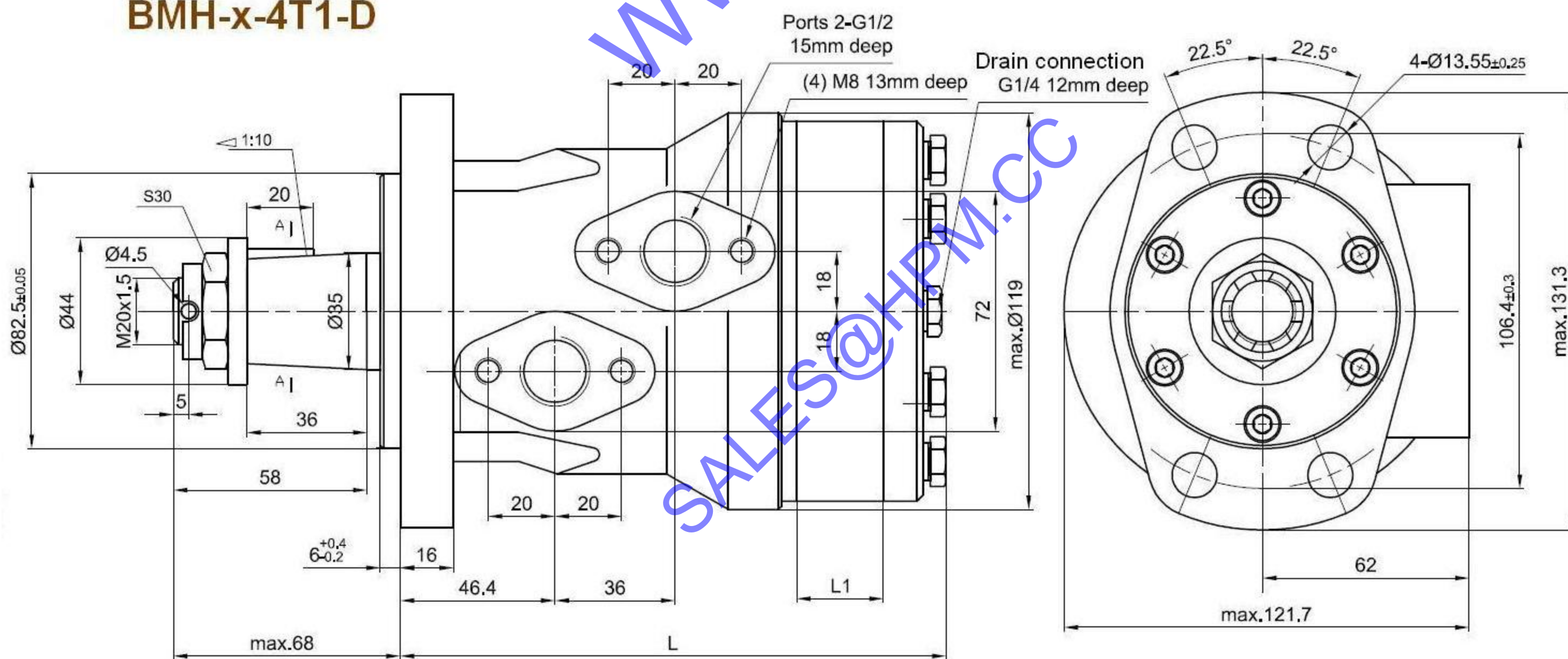
## Popular model drawing

### BMH-x-4S-S



HPM Model	Danfoss Model	
BMH-200-4SS**	151H-1080	With Drain Port
BMH-250-4SS**	151H-1082	
BMH-315-4SS**	151H-1083	
BMH-400-4SS**	151H-1084	
BMH-500-4SS**	151H-1081	

### BMH-x-4T1-D



HPM Model	Danfoss Model	M+S Model	L mm	L1 mm
BMH-200-4T1D**		EPMH-200K**	168	27
BMH-250-4T1D**		EPMH250K**	175	34
BMH-315-4T1D**	151H-1034	EPMH-315K**	184	42
BMH-400-4T1D**	151H-1035	EPMH-400K**	195	54
BMH-500-4T1D**	151H-1036	EPMH-500K**	206	65



# BMS Series hydraulic orbit motor



BMS(BMSY)-Replace with DANFOSS OMS SERIES,M+S EPMS/MLHS SERIES

BMSE-Replace with EATON 2000 SERIES

## Parameters

Type		BMS BMSE BMSY -80	BMS BMSE BMSY -100	BMS BMSE BMSY -125	BMS BMSE BMSY -160	BMS BMSE BMSY -200	BMS BMSE BMSY -250	BMS BMSE BMSY -315	BMS BMSE BMSY -375	BMSY -475
<b>Displacement</b>		80.6	100.8	125	157.2	200	252	314.5	370	475
<b>Max. speed (rpm)</b>	cont.	800	748	600	470	375	300	240	200	155
	int.	988	900	720	560	450	360	280	240	185
<b>Max. torque (N•m)</b>	cont.	190	240	310	316	400	450	560	536	780
	int.	240	300	370	430	466	540	658	645	910
	peak	260	320	400	472	650	690	740	751	960
<b>Max. output (KW)</b>	cont.	15.9	18.8	19.5	15.6	15.7	14.1	14.1	11.8	9
	int.	20.1	23.5	23.2	21.2	18.3	17	18.9	17	11
<b>Max.pressure drop (Mpa)</b>	cont.	17.5	17.5	17.5	15	14	12.5	12	10	14
	int.	21	21	21	21	16	16	14	12	15
	peak	22.5	22.5	22.5	22.5	22.5	20	18.5	14	17.5
<b>Max. flow (L/min)</b>	cont.	65	75	75	75	75	75	75	75	75
	int.	80	90	90	90	90	90	90	90	90
<b>Max.inlet pressure (Mpa)</b>	cont.	25	25	25	25	25	25	25	25	25
	int.	30	30	30	30	30	30	30	30	30
<b>Weight(kg) BMS BMSE</b>		9.8	10	10.3	10.7	11.1	11.6	12.3	12.6	
<b>Weight(kg) BMSY</b>		10	10.3	10.6	11	11.4	12	12.8	13.4	14.3

## Selection

1	2	3	4
Series	Displacement	Flange	Output shaft
<b>BMS BMSY</b>	80		<b>Code A:</b> Shaft Dia Ø25 , Parallel key 8×7×32 <b>Code B:</b> Shaft Dia Ø32 , Parallel key 10×8×45
	100	<b>Code E2:</b> 2-Ø13.5 Rhomb-flange, Ø 106.4, pilot Ø82.5×6.3	<b>Code D:</b> Shaft Dia Ø25.4 , Parallel key 6.35×6.35×31.75
	125	<b>Code E4:</b> 4-Ø13.5 Rhomb-flange, Ø 106.4 , pilot Ø82.5×6.3	<b>Code F:</b> Shaft Dia Ø31.75 , Splined tooth 14-DP12/24
	160	<b>Code F6:</b> 6-Ø13.5 Rhomb-flange , Ø 106.4 , pilot Ø82.5×2.6	<b>Code FD:</b> Shaft Dia Ø31.75 Long shaft , Splined tooth 14-DP12/24
	200	<b>Code E2B:</b> 2-Ø14.3 Rhomb-flange , Ø 146.05 , pilot Ø101.6×9.4	<b>Code G:</b> Shaft Dia Ø31.75,Parallel key 7.95×7.95×31.75
	250	<b>Code SP:</b> 4-Ø11.5 Square-flange , Ø 106.4 , pilot Ø82.5×6.3	<b>Code SL:</b> Shaft Dia Ø34.85,Splined key 6-34.85×28.14×8.64
	315	<b>Code W:</b> 4-Ø13.5 Wheel-flange , Ø 160 , pilot Ø125×8	<b>Code T1:</b> Shaft Dia Ø 35 Cone shaft ,Parallel key 6×6×20
	375		<b>Code T3:</b> Shaft Dia Ø 31.75 Cone shaft ,Parallel key 7.96×7.96×31.75
	475		<b>Code S1:</b> Shaft Dia Ø25.4 Splined SAE 6B
<b>BMSS BMSYS</b>	80-375	<b>Code D:</b> 4-Ø11 Circle-flange , Ø125 , pilot Ø100×6 <b>Code E:</b> 4-Ø13.5 Square-flange , Ø 127, pilot Ø101.6×6.3	<b>Omit :</b> Short shaft 12-DP12/24



# BMS Series hydraulic orbit motor



5	6	7	8
<b>Port and drain port</b>	<b>Rotation direction</b>	<b>Paint</b>	<b>Unusually function</b>
<b>Code D:</b> G1/2 Manifold mount 2*M10,G1/4 <b>Code M:</b> M22*1.5 Manifold mount 2*M10,M14*1.5 <b>Code S:</b> 7/8-14UNF O-ring Manifold mount 2*3/8-16,7/16-20UNF <b>Code P:</b> 1/2-14NPTF Manifold mount 4*5/16-18UNC,7/16-20UNF	<b>Omit:</b> Standard <b>Code R:</b> Opposite	<b>Omit:</b> Blue <b>Code 00:</b> No paint <b>Code B:</b> Black <b>Code S:</b> Silver Grey	<b>Omit:</b> Standard <b>Code F:</b> Free running <b>Code LS:</b> Low speed

## Selection

1	2	3	4
<b>Series</b>	<b>Displacement</b>	<b>Flange</b>	<b>Output shaft</b>
<b>BMSE</b>	80	<b>Code E2:</b> 2-Ø13.5 Rhomb-flange, Ø 106.4, pilot Ø82.5×6.3 <b>Code E4:</b> 4-Ø13.5 Rhomb-flange, Ø 106.4, pilot Ø82.5×6.3 <b>Code E6:</b> 6-Ø13.5 Rhomb-flange, Ø 106.4, pilot Ø82.5×6.3 <b>Code E2B:</b> 2-Ø14.3 Rhomb-flange, Ø 146.05, pilot Ø101.6×9.4 <b>Code WE:</b> 4-Ø13.6 Wheel-flange, Ø 147.6, pilot Ø107.95×6.4	<b>Code A:</b> Shaft Dia Ø25, Parallel key 8×7×32 <b>Code B:</b> Shaft Dia Ø32, Parallel key 10×8×45 <b>Code K:</b> Shaft Dia Ø25.4, Woodruff key Ø 25.4×6.35 <b>Code F:</b> Shaft Dia Ø31.75, Splined tooth 14-DP12/24 <b>Code G:</b> Shaft Dia Ø31.75,Parallel key 7.96×7.96×31.75 <b>Code T4:</b> Shaft Dia Ø 31.75 Cone shaft,Parallel key 7.96×7.96×25.4 <b>Code S1:</b> Shaft Dia Ø25.4 Splined tooth SAE 6B
	100		
	125		
	160		
	200		
	250		
	315		
	375		
<b>BMSJ</b>	80-375	<b>Code J:</b> 4-Ø13.5 Square-flange, Ø 127, pilot Ø101.6×6.3	<b>Omit:</b> Short shaft 12-DP12/24
5	6	7	8
<b>Port and drain port</b>	<b>Rotation direction</b>	<b>Paint</b>	<b>Unusually function</b>
<b>Code DB:</b> G1/2, G1/4 <b>Code DU:</b> G1/2,7/16-20UNF <b>Code SB:</b> 7/8-14UNF O-ring,G1/4 <b>Code SU:</b> 7/8-14UNF O-ring,7/16-20UNF <b>Code MU:</b> 1/2", 5/8" Crosshole Manifold 3×3/8-16UNC,7/16-20UNF <b>Code M4:</b> M22*1.5, M14*1.5 <b>Code MM:</b> 1/2", 5/8" Crosshole Manifold 3×M10,G1/4  <b>Code ED:</b> 1-1/16-12UNF O-ring,7/16-20UNF (ED=180° opposite)  <b>Code EE-D:</b> G1/2, G1/4 <b>Code EE-M2:</b> M22*1.5, M14*1.5 <b>Code EE-S2:</b> 7/8-14 O-ring, 7/16-20UNF (EE-*=End ports)	<b>Omit:</b> Standard <b>Code R:</b> Opposite	<b>Omit:</b> Blue <b>Code 00:</b> No paint <b>Code B:</b> Black <b>Code S:</b> Silver Grey	<b>Omit:</b> Standard <b>Code F:</b> Free running <b>Code LS:</b> Low speed

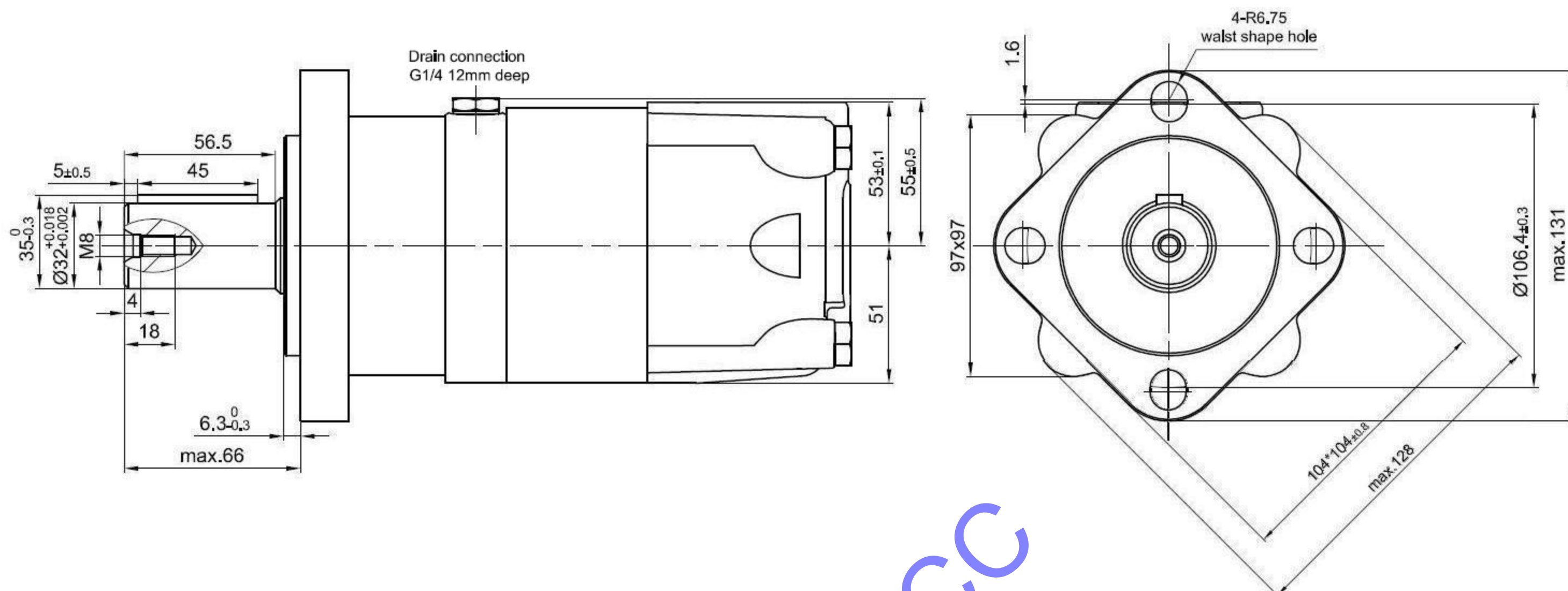


# BMS Series hydraulic orbit motor



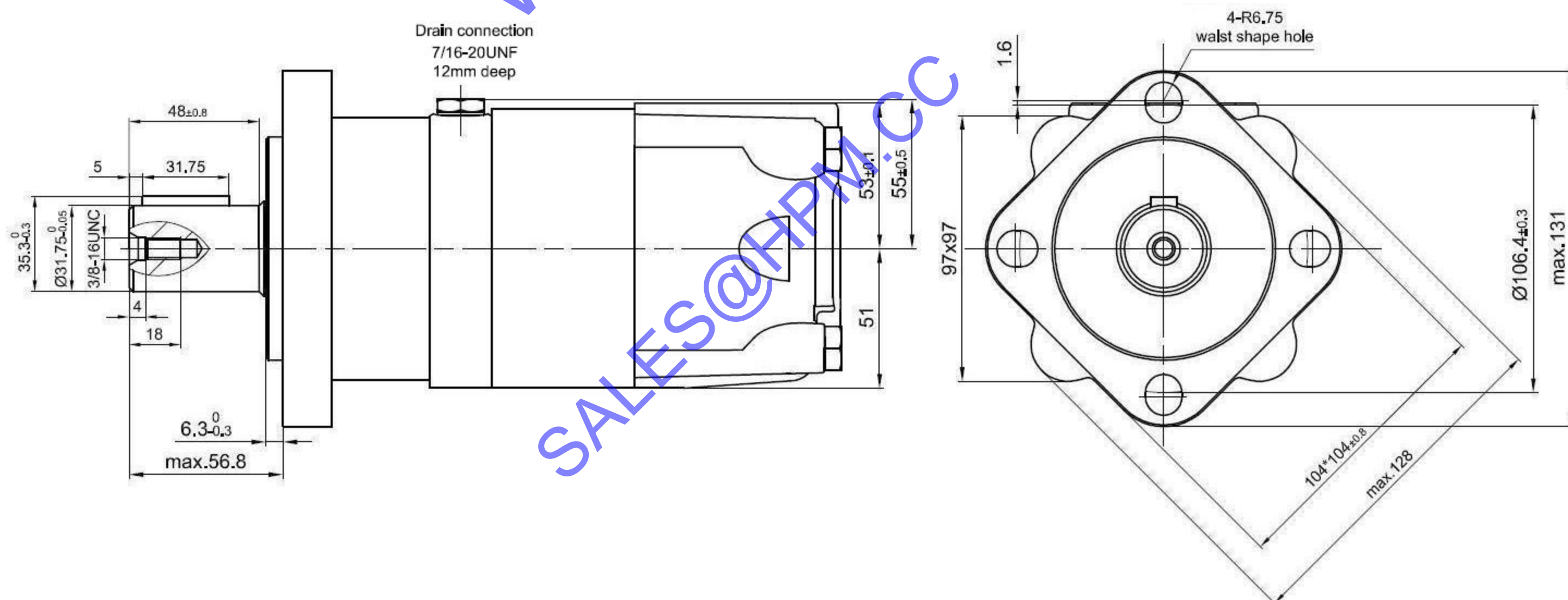
## Popular model drawing

### BMS(Y)-x-E4-B-D



HPM Model	Danfoss Model	M+S Model	L mm	L1 mm	L2 mm	
BMS(Y)-80-E4-B-D	151F-0500	With Drain Port EPMS-80C**	170	16	126.5	
BMS(Y)-100-E4-B-D	151F-0501		EPMS-100C**	174	20	130.5
BMS(Y)-125-E4-B-D	151F-0502		EPMS-125C**	179	25	135.5
BMS(Y)-160-E4-B-D	151F-0503		EPMS-160C**	181	27	137.5
BMS(Y)-200-E4-B-D	151F-0504		EPMS-200C**	188	34	144.5
BMS(Y)-250-E4-B-D	151F-0505		EPMS-250C**	196	42	152.5
BMS(Y)-315-E4-B-D	151F-0506		EPMS-315C**	208	54	164.5
BMS(Y)-375-E4-B-D	151F-0605		EPMS-400C**	223	69	179.5

### BMS(Y)-x-E4-G-S



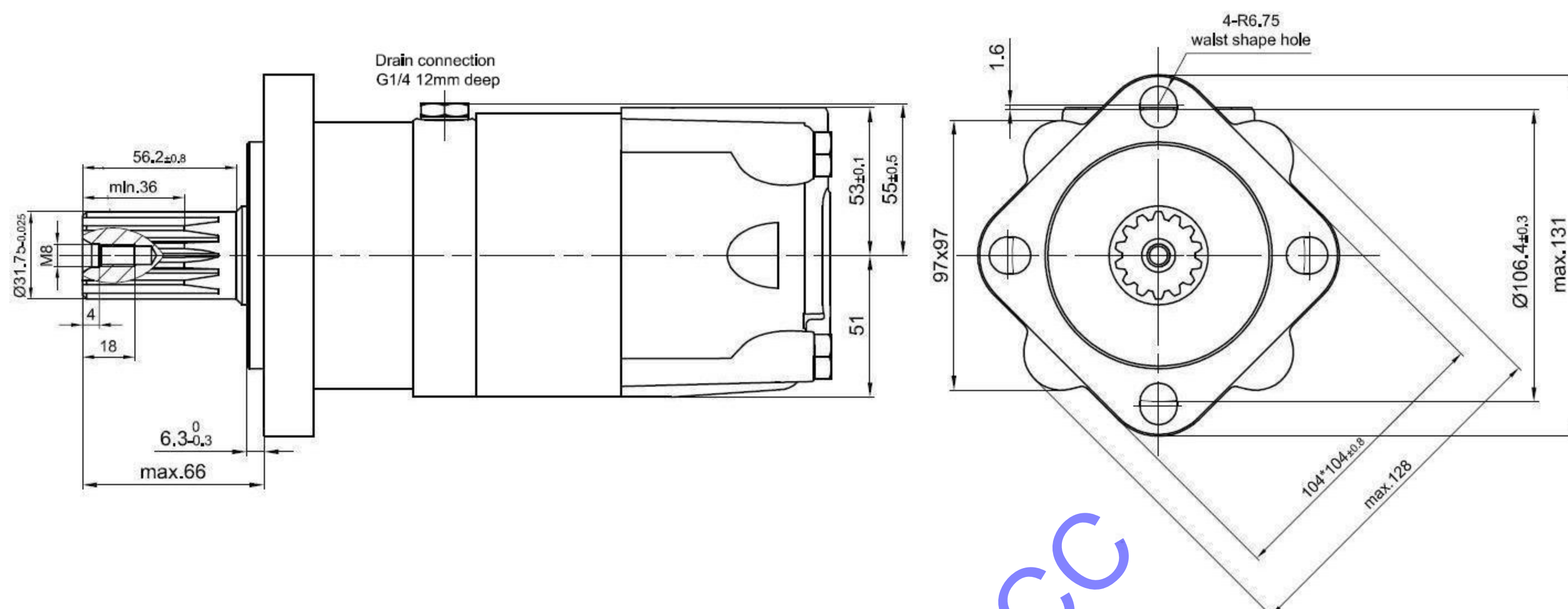
HPM Model	Danfoss Model	M+S Model	L mm	L1 mm	L2 mm	
BMS(Y)-80-E4-G-S	151F-2200	With Drain Port MLHS-80C**	170	16	126.5	
BMS(Y)-100-E4-G-S	151F-2201		MLHS-100C**	174	20	130.5
BMS(Y)-125-E4-G-S	151F-2202		MLHS-125C**	179	25	135.5
BMS(Y)-160-E4-G-S	151F-2203		MLHS-160C**	181	27	137.5
BMS(Y)-200-E4-G-S	151F-2204		MLHS-200C**	188	34	144.5
BMS(Y)-250-E4-G-S	151F-2205		MLHS-250C**	196	42	152.5
BMS(Y)-315-E4-G-S	151F-2206		MLHS-315C**	208	54	164.5
BMS(Y)-375-E4-G-S	151F-2261		MLHS-400C**	223	69	179.5
BMS(Y)-475-E4-G-S	151F-2268	MLHS-475C**	237	83	193.5	



# BMS Series hydraulic orbit motor

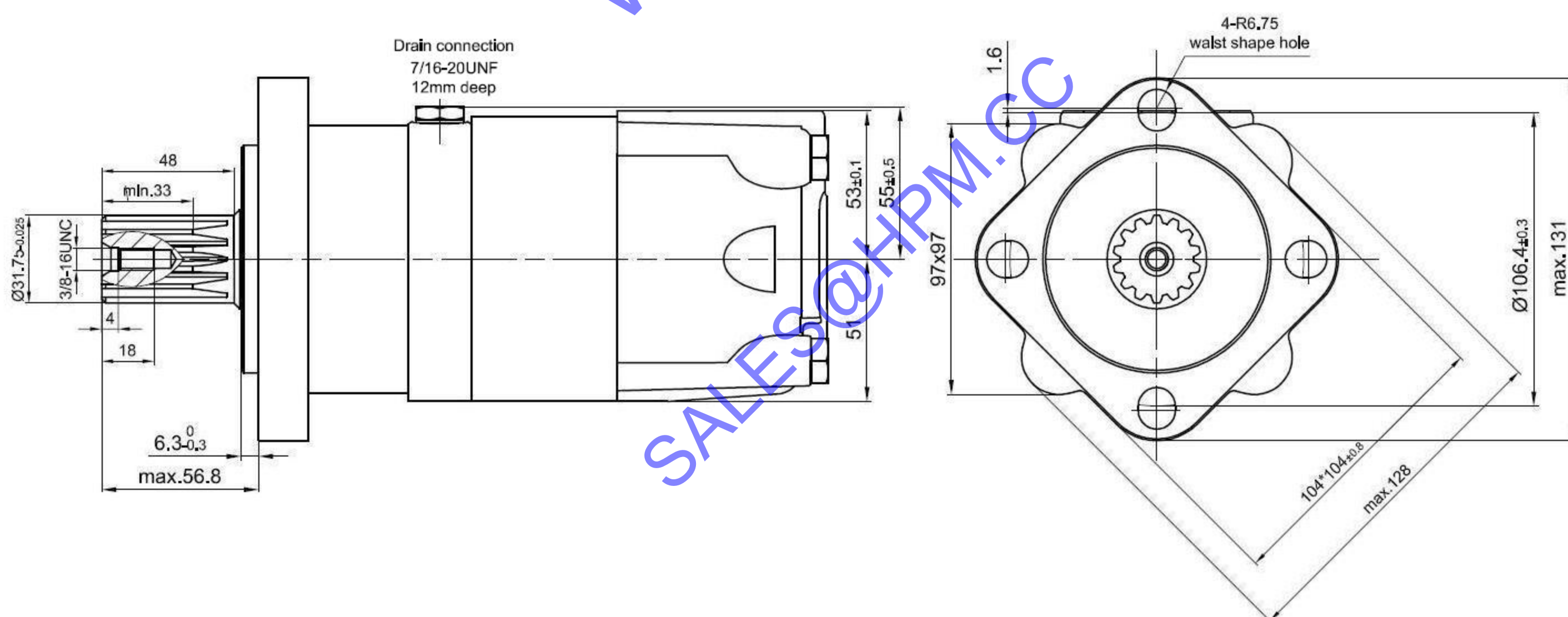
## Popular model drawing

### BMS(Y)-x-E4-FD-D



HPM Model	Danfoss Model	M+S Model	L mm	L1 mm	L2 mm
BMS(Y)-80-E4-FD-D	151F-0507	EPMS-80SH**	170	16	126.5
BMS(Y)-100-E4-FD-D	151F-0508	EPMS-100SH**	174	20	130.5
BMS(Y)-125-E4-FD-D	151F-0509	EPMS-125SH**	179	25	135.5
BMS(Y)-160-E4-FD-D	151F-0510	EPMS-160SH**	181	27	137.5
BMS(Y)-200-E4-FD-D	151F-0511	EPMS-200SH**	188	34	144.5
BMS(Y)-250-E4-FD-D	151F-0512	EPMS-250SH**	196	42	152.5
BMS(Y)-315-E4-FD-D	151F-0513	EPMS-315SH**	208	54	164.5
BMS(Y)-375-E4-FD-D		EPMS-400SH**	223	69	179.5

### BMS(Y)-x-E4-F-S



HPM Model	Danfoss Model	M+S Model	L mm	L1 mm	L2 mm
BMS(Y)-80-E4-F-S	151F-2207	MLHS-80G**	170	16	126.5
BMS(Y)-100-E4-F-S	151F-2208	MLHS-100G**	174	20	130.5
BMS(Y)-125-E4-F-S	151F-2209	MLHS-125G**	179	25	135.5
BMS(Y)-160-E4-F-S	151F-2210	MLHS-160G**	181	27	137.5
BMS(Y)-200-E4-F-S	151F-2211	MLHS-200G**	188	34	144.5
BMS(Y)-250-E4-F-S	151F-2212	MLHS-250G**	196	42	152.5
BMS(Y)-315-E4-F-S	151F-2213	MLHS-315G**	208	54	164.5
BMS(Y)-375-E4-F-S	151F-2262	MLHS-400G**	223	69	179.5
BMS(Y)-475-E4-F-S	151F-2269	MLHS-475G**	237	83	193.5

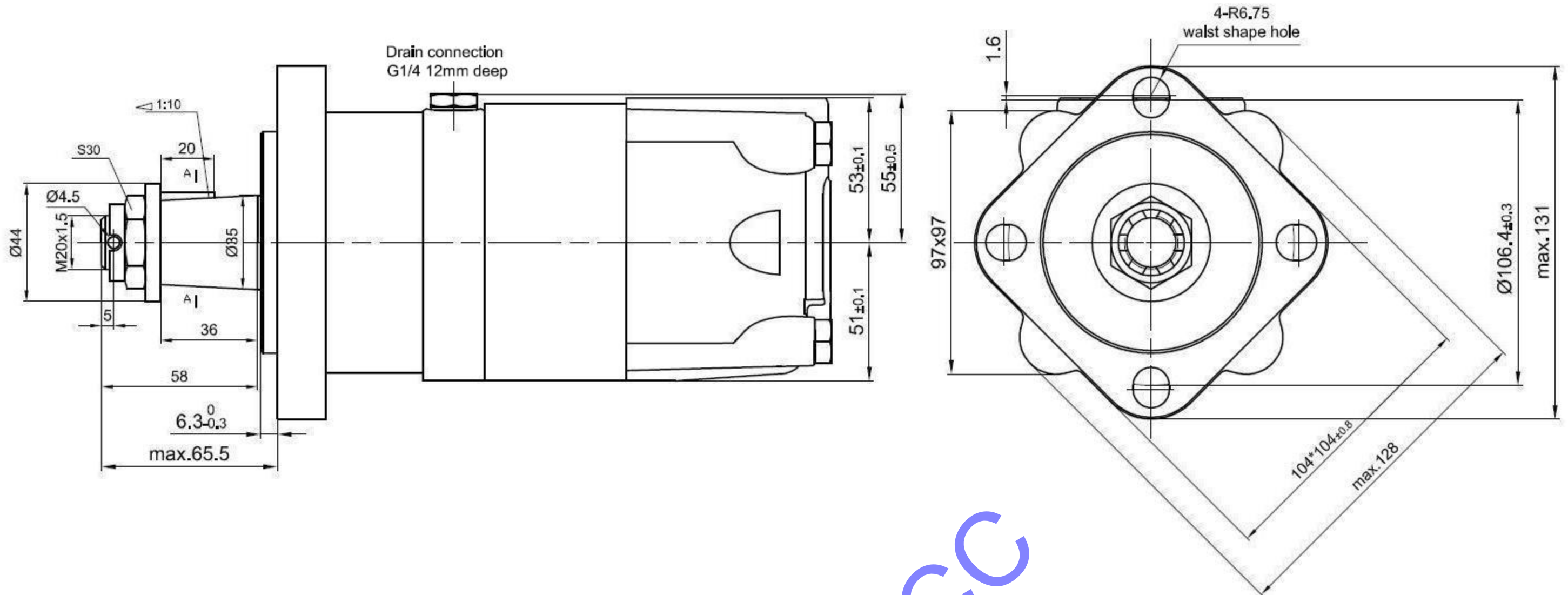


# BMS Series hydraulic orbit motor



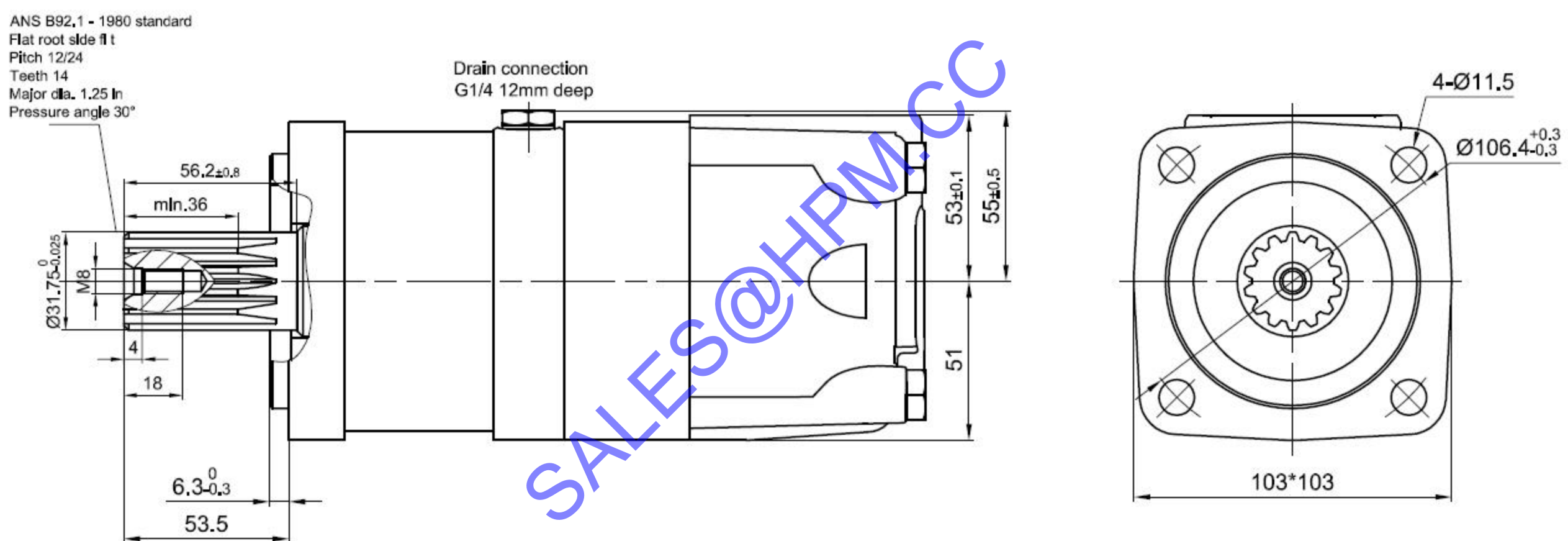
## Popular model drawing

### BMS(Y)-x-E4-T1-D



HPM Model	Danfoss Model	M+S Model	L mm	L1 mm	L2 mm
BMS(Y)-80-E4-T1-D	151F-0514	EPMS-80K**	170	16	126.5
BMS(Y)-100-E4-T1-D	151F-0515	EPMS-100K**	174	20	130.5
BMS(Y)-125-E4-T1-D	151F-0516	EPMS-125K**	179	25	135.5
BMS(Y)-160-E4-T1-D	151F-0517	EPMS-160K**	181	27	137.5
BMS(Y)-200-E4-T1-D	151F-0518	EPMS-200K**	188	34	144.5
BMS(Y)-250-E4-T1-D	151F-0519	EPMS-250K**	196	42	152.5
BMS(Y)-315-E4-T1-D	151F-0520	EPMS-315K**	208	54	164.5
BMS(Y)-375-E4-T1-D		EPMS-400K**	223	69	179.5

### BMS(Y)-x-SP-G-D



HPM Model	Danfoss Model	M+S Model	L mm	L1 mm	L2 mm
BMS(Y)-80-SP-FD-D	151F-0542	EPMS-Q80SH**	170	16	126.5
BMS(Y)-100-SP-FD-D	151F-0543	EPMS-Q100SH**	174	20	130.5
BMS(Y)-125-SP-FD-D	151F-0544	EPMS-Q125SH**	179	25	135.5
BMS(Y)-160-SP-FD-D	151F-0545	EPMS-Q160SH**	181	27	137.5
BMS(Y)-200-SP-FD-D	151F-0546	EPMS-Q200SH**	188	34	144.5
BMS(Y)-250-SP-FD-D	151F-0547	EPMS-Q250SH**	196	42	152.5
BMS(Y)-315-SP-FD-D	151F-0548	EPMS-Q315SH**	208	54	164.5
BMS(Y)-375-SP-FD-D		EPMS-Q400SH**	223	69	179.5