



**CASAPPA**<sup>®</sup>

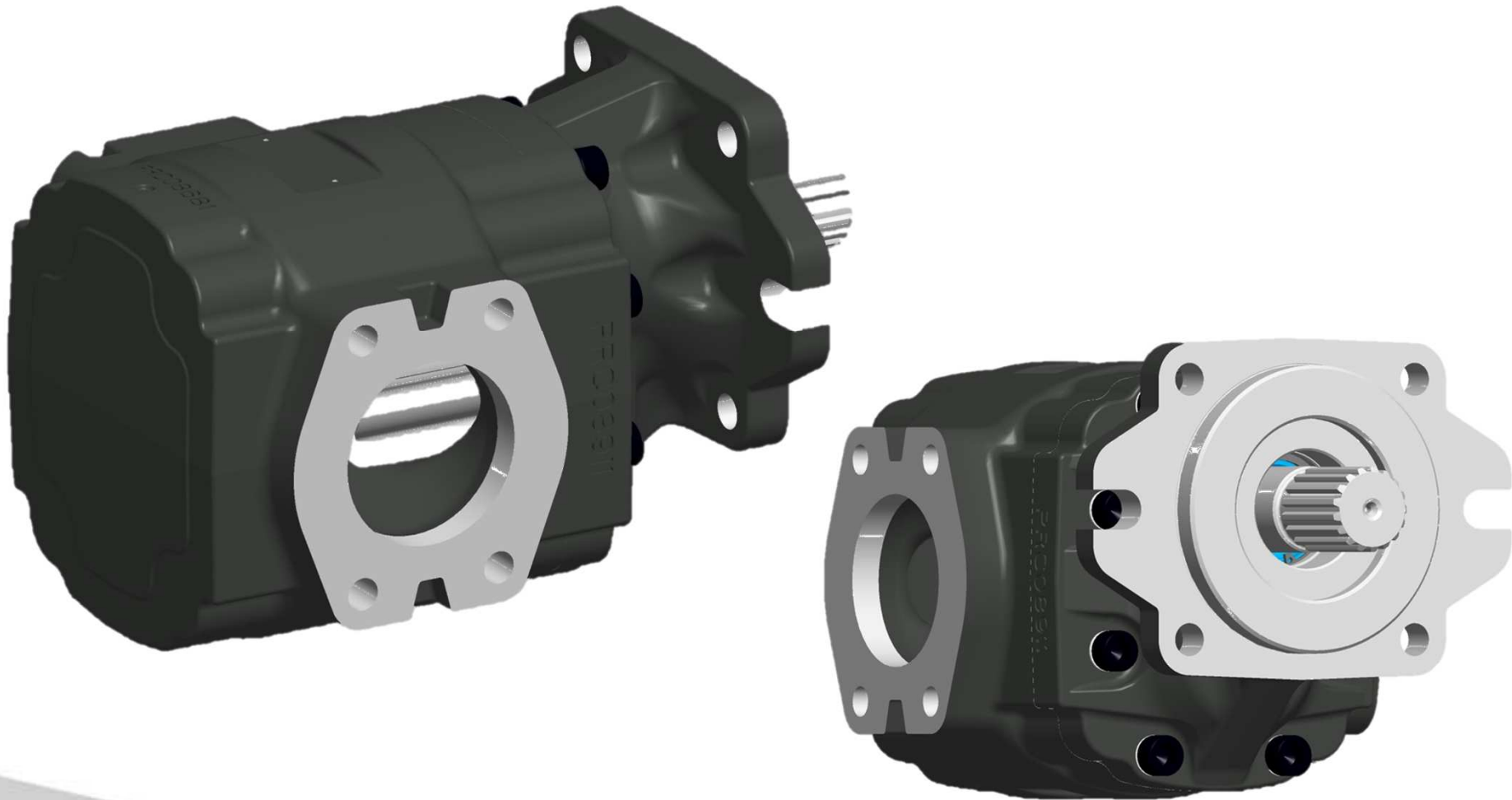
FLUID POWER DESIGN

**KAPPA 40+**

*(100-180 cc)*

# KAPPA 40+

*(100 - 180 cc)*



# NEW PUMP CASTINGS

➤ **Current K40 Body**  
(63 - 151 cc/rev - 151 cc/rev is shown)



➤ **NEW K40+ Body**  
(100 - 180 cc/rev - 180 cc/rev is shown)

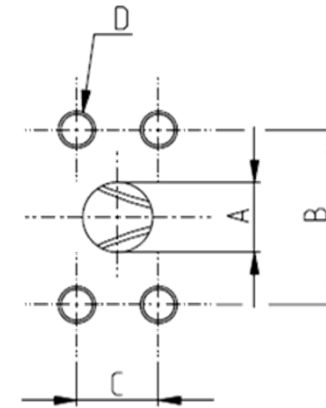
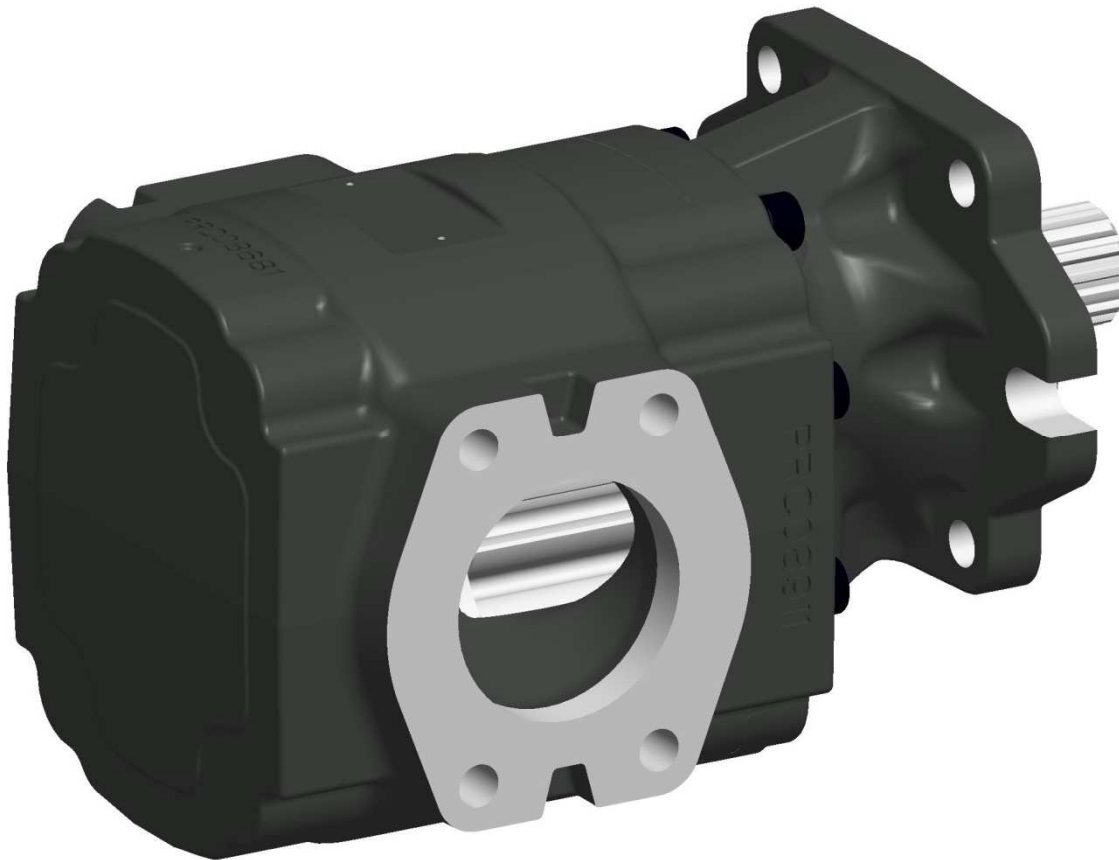


- **New geometry**
- **Nodular vs Grey cast iron**
- **Bigger displacement range**
- **Higher performance**
- **Bigger ports**

# PORT CONFIGURATIONS

## SAE FLANGED PORTS J518

Metric thread ISO 60° conforming to ISO/R 262



### Inlet

**Min** A = 2" (50,8 mm)

**Max** A = 3" (76,2 mm)

(only 3" for 151 – 180 cc)

### Outlet

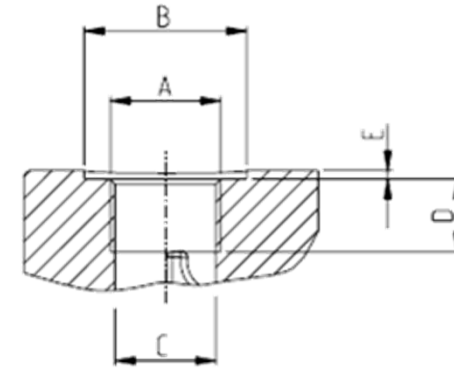
**Min** A = 1" (25,4 mm)

**Max** A = 2" (50,8 mm)

# PORT CONFIGURATIONS

## GAS STRAIGHT THREAD PORTS (OUTLET ONLY)

British standard pipe parallel (55°) conforming to UNI - ISO 228



**Outlet**

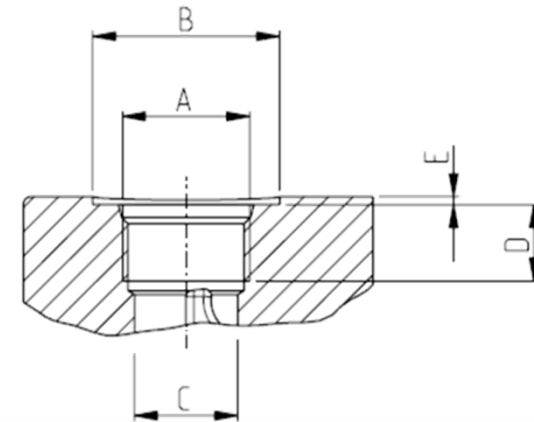
**Min** A = 1" (25,4 mm)

**Max** A = 2" (50,8 mm)

# PORT CONFIGURATIONS

## SAE STRAIGHT THREAD PORTS J514 (OUTLET ONLY)

American straight thread UNC-UNF 60° conforming to ANSI B 1.1



**Outlet**

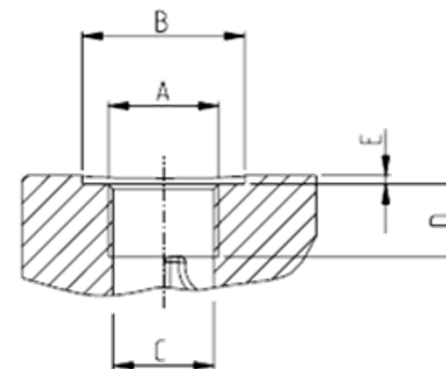
**Min** A = 1" (25,4 mm)

**Max** A = 2" (50,8 mm)

# PORT CONFIGURATIONS - REAR

## GAS STRAIGHT THREAD PORTS (OUTLET ONLY)

British standard pipe parallel (55°) conforming to UNI - ISO 228



**Outlet**

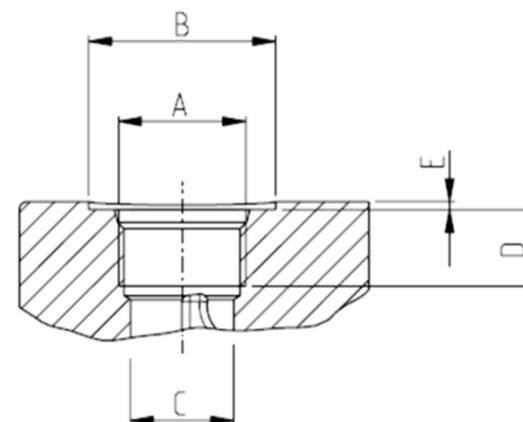
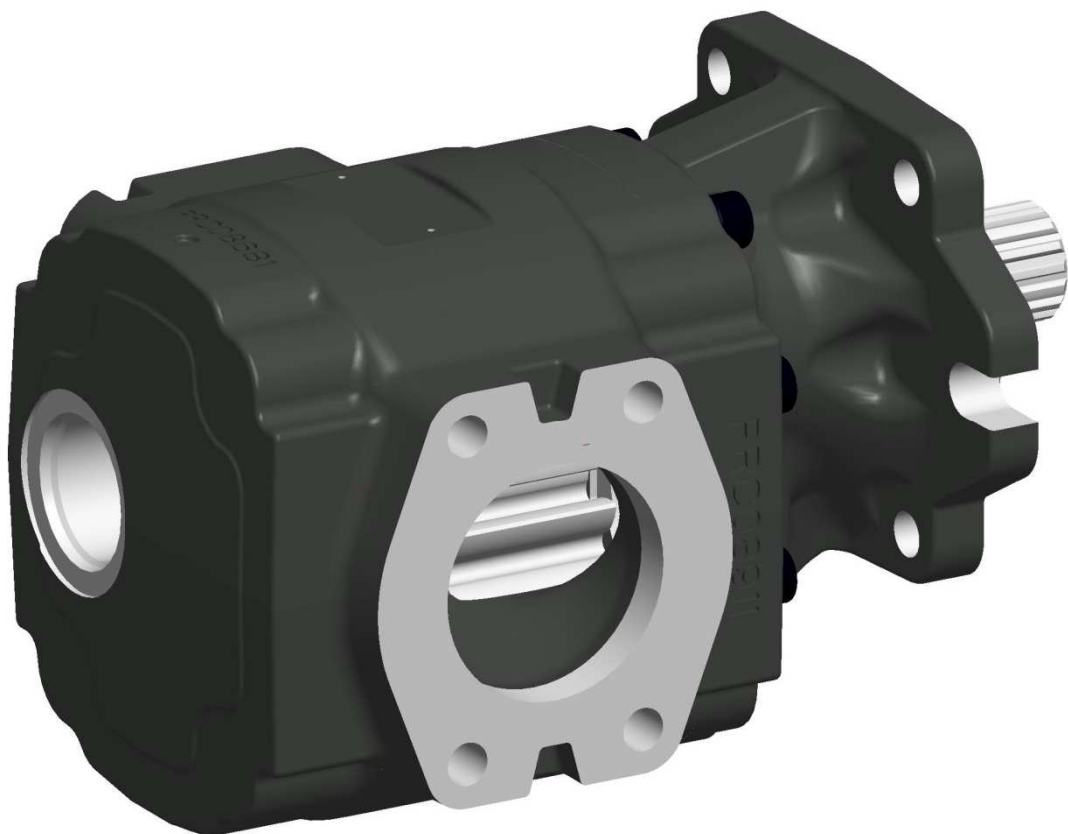
**Min** A = 1" (25,4 mm)

**Max** A = 1,5" (38,1 mm)

# PORT CONFIGURATIONS - REAR

## SAE STRAIGHT THREAD PORTS J514 (OUTLET ONLY)

American straight thread UNC-UNF 60° conforming to ANSI B 1.1



**Outlet**

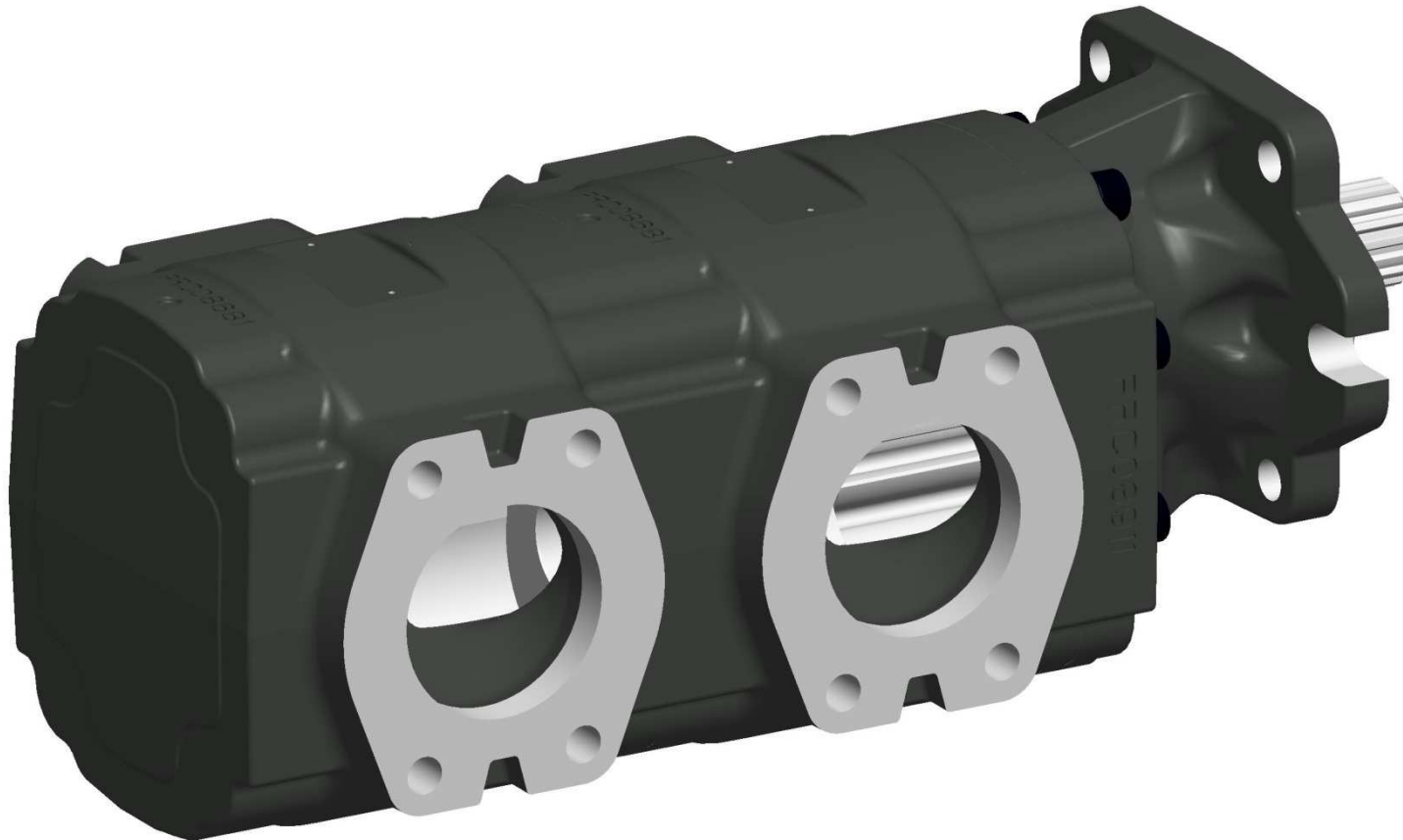
**Min**      $A = 1''$  (25,4 mm)

**Max**      $A = 1,5''$  (38,1 mm)



# MULTIPLE PUMP CONFIGURATIONS

- Double pump K40plus + K40plus



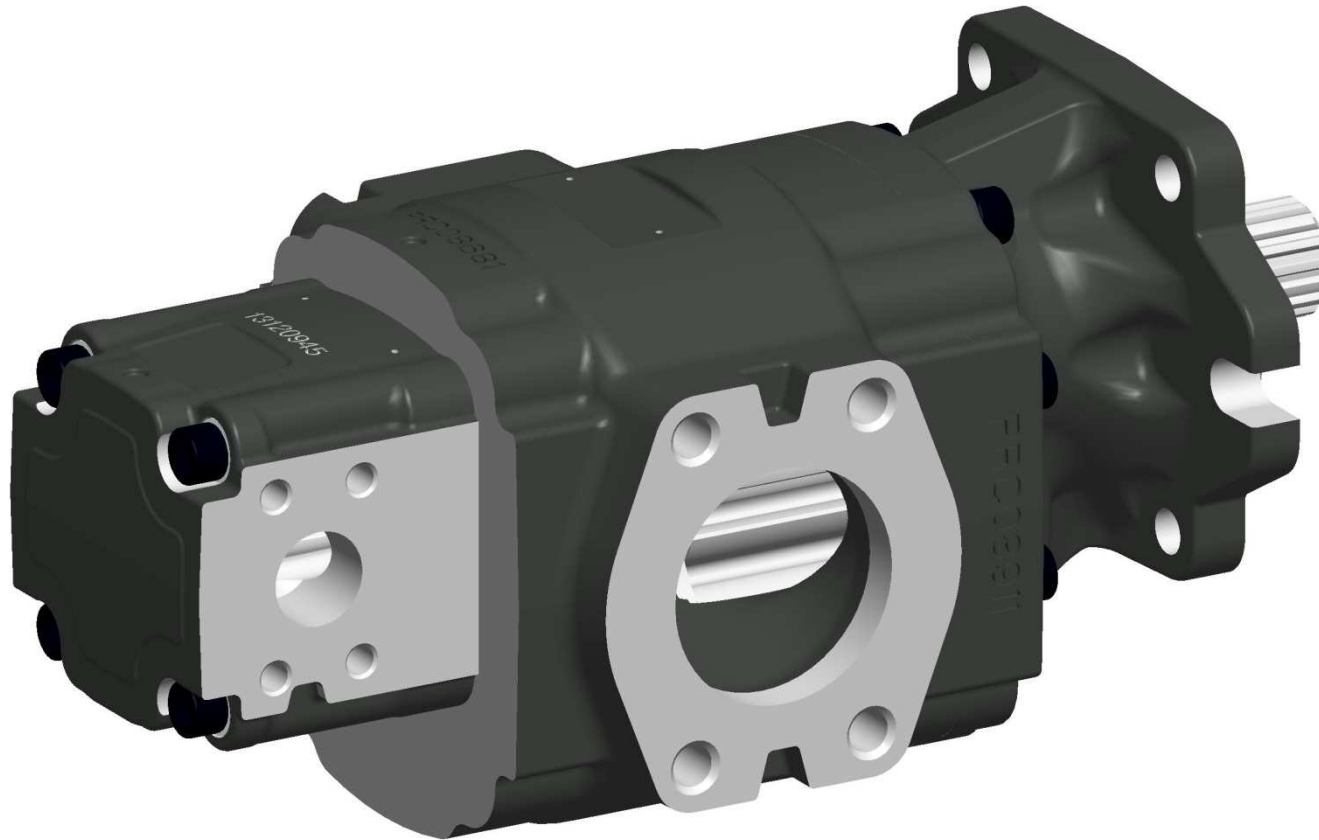
# MULTIPLE PUMP CONFIGURATIONS

- Double pump K40plus + K30



# MULTIPLE PUMP CONFIGURATIONS

- Double pump K40plus + K25



# MULTIPLE PUMP CONFIGURATIONS

- Double pump K40plus + PH/PL



# MULTIPLE PUMP CONFIGURATIONS

Many combinations of different frame sizes can be done for triple pump configurations.

Example:

- Triple pump K40plus + K35 + PL20



# MULTIPLE PUMP CONFIGURATIONS

Many combinations of different frame sizes can be done for triple pump configurations.

Example:

- Triple pump K40plus + K35 + K25



# MULTIPLE PUMP CONFIGURATIONS

Many combinations of different frame sizes can be done for triple pump configurations.

Example:

- Triple pump K40plus + K35 + PH20



# MULTIPLE PUMP CONFIGURATIONS

Many combinations of different frame sizes can be done for triple pump configurations.

Example:

- Triple pump K40plus + K35 + PL20





# KAPPA 40+ PERFORMANCE

Casting	Displacement [cc/rev]	Max Rated Pressure [bar]	Max Peak Pressure [bar] *	Max Rated Speed [rpm] **
100 - 133 cc/rev	100	270	290	2700
	109	270	290	2700
	121	260	280	2700
	133	260	280	2700
151 - 180 cc/rev	151	260	280	2700
	160	250	270	2500
	170	240	260	2350
	180	230	250	2200

(\*) The pump has been validated with  $3 \cdot 10^6$  cycles at peak pressure

(\*\*) Max rated speed to ensure fill curve linear

# KAPPA 40+ CONFIGURATIONS

Casting	Displacement [cc/rev]	Inlet port sizes	Outlet port sizes	Drive Shafts	Mounting Flanges
100 - 133 cc/rev	100	From 2" to 3"	From 1" to 2"	SAE C / SAE C-C	SAE C 4/6 HOLES
	109				
	121				
	133				
151 - 180 cc/rev	151	Only 3"	From 1" to 2"	SAE C / SAE C-C	SAE C 4/6 HOLES
	160				
	180				

All Rights Reserved.

Our policy is one of continuous product improvement. Content subject to change.



**CASAPPA**<sup>®</sup>  
FLUID POWER DESIGN

[www.casappa.com](http://www.casappa.com)

Casappa S.p.A. Via Balestrieri, 1- 43044 Lemignano di Collecchio – Parma (Italy)

Tel. +39 0521 304111 – Fax +39 0521 804600 – E-mail: [info@casappa.com](mailto:info@casappa.com)